

NOTES:

1. TO INSPECT ASSEMBLY, FOLLOW FIRST ARTICLE AND IN PROCESS INSPECTION SHEET.

2 APPLY LOCTITE 680.

3 CUT AND SHORTEN O-RING BY .13" TO .20" IN LENGTH BEFORE INSTALLING.

4 SLIT O-RING BEFORE INSTALLING.

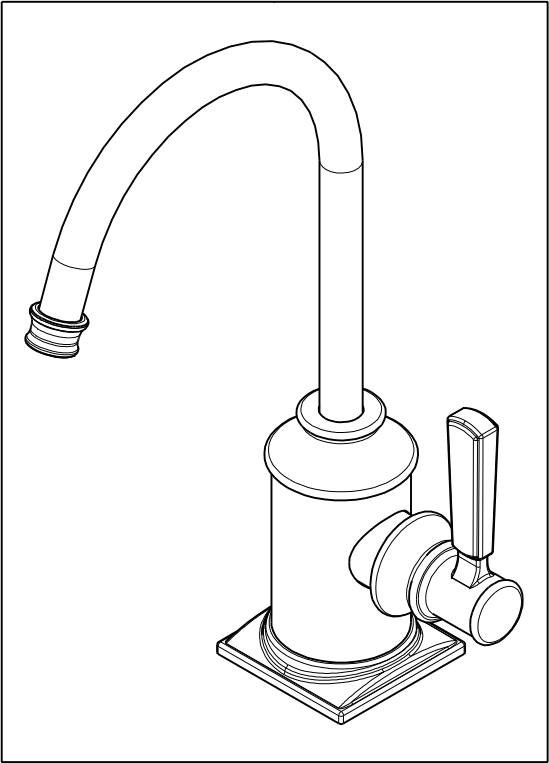
5 APPLY LOCTITE 242.

6. WATER TEST WHOLE UNIT.

7 BAG 5-007 IN A SEPARATE BAG.

8 INSTALLATION TORQUE: 8-14 LB-FT.

9 APPLY LIGHT FILM OF DOW CORNING III SILICONE COMPOUND.



BILL OF MATERIAL (CURRENT LEVEL)

ITEM	PT/ASSY	DESCRIPTION	TYPE	QTY.
1	1-134	CARTR 3/8 HOT 1/4 TR	PART	1
2	5-007	1/4 COMP KIT	ASSEMBLY	1
3	20-248	BASE RING ASM	ASSEMBLY	1
4	20-288	HANDLE HUB ASM	ASSEMBLY	1
5	10514	MOUNTING CRESCENT	PART	1
6	10516	MOUNTING NUT	PART	1
7	10661	MOUNTING STUD	PART	1
8	11733	SHELL, SPOUT, WATER DISP	PART	1
9	12512	BONNET	PART	1
10	13605	WATER DISP. BODY COLD (CONT)	PART	1
11	13627	COLLAR	PART	1
12	50713	SPOUT, WATER DISP. (TRAD.)	PART	1
13	50760	NIPPLE WATER DISP	PART	1
14	91017	O-RING #2-012	PART	2
15	91023	O-RING, #2- 019, EPDM, 65-75 DURO, NSF 61	PART	1
16	91063	MOUNTING CRESCENT GASKET	PART	1
17	91382	O-RING, #2- 012, TEFLON,	PART	1
18	91383	O-RING, #2- 014, TEFLON, NSF 61	PART	1
19	92477	SCRW, M4 X 16 SKT FLT HD SS	PART	1
20	92926	ADAPTER	PART	1

ZONE	REV	DESCRIPTION	DATE	APPROVED
-	F	EN-4187	10/25/22	J.M.
-	C	EN-4300jj	04/12/21	R.S.
-	B	EN-3941	08/28/19	C.G.
-	A	EN-3693	08/29/18	J.M.
-	-	EN-3076	06/08/17	J.M.

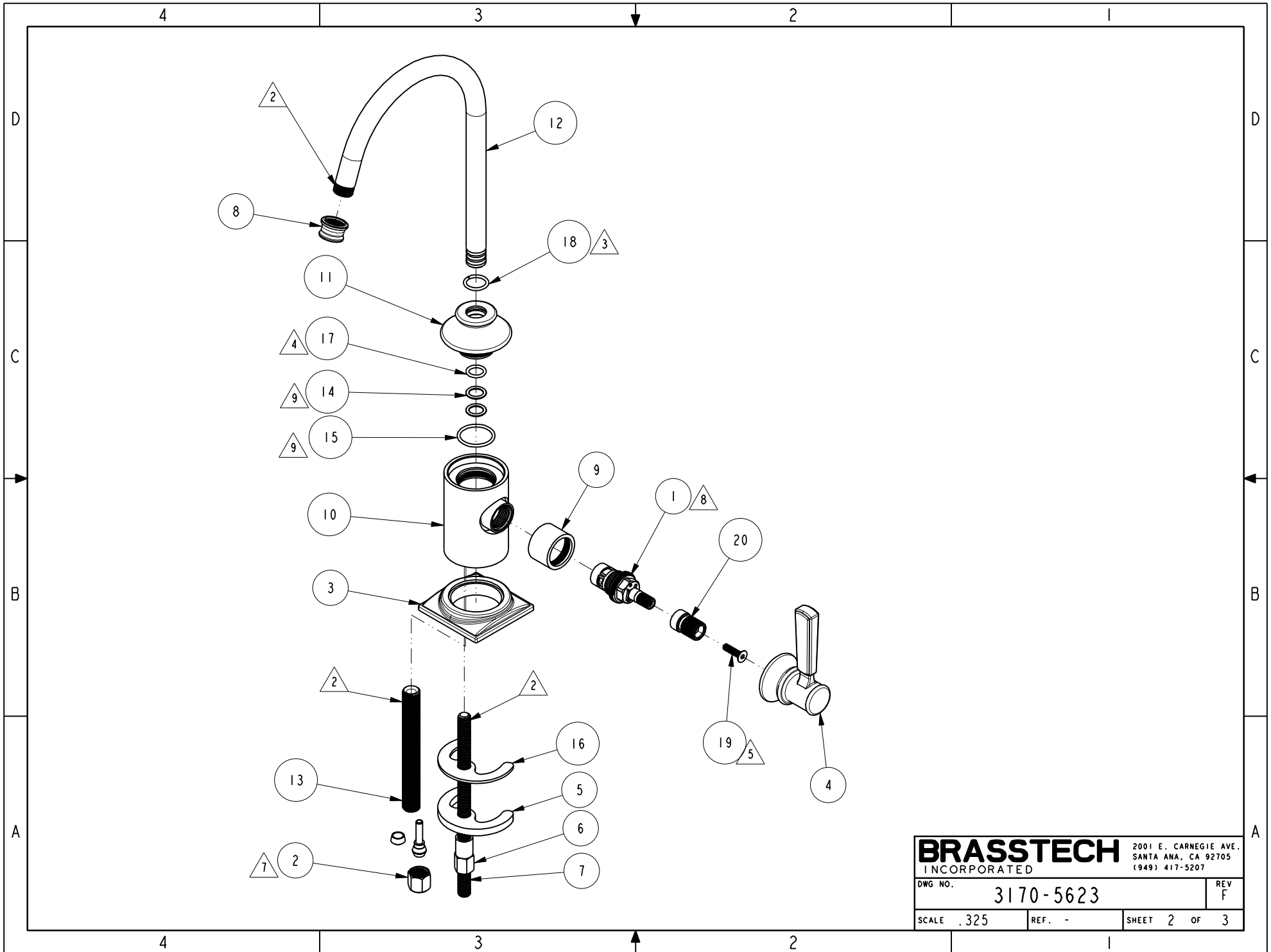
COPYRIGHT 2005 BRASSTECH, INC. THESE DRAWINGS AND THE DESIGNS DEPICTED HEREIN ARE THE PROPRIETARY PROPERTY OF BRASSTECH. ANY USE OR REPRODUCTION IS SUBJECT TO THE EXPRESS APPROVAL OF BRASSTECH. UNAUTHORIZED USE IS STRICTLY PROHIBITED. ALL RIGHTS RESERVED.

TESTING	-	-	-
ASSEMBLY	-	-	-
PLATING	-	-	-
POLISHING	-	NEXT ASSY	USED ON
MACHINING	-	APPLICATION	
TOOLING FIXTURE #	REMOVE ALL BURRS AND SHARP EDGES		

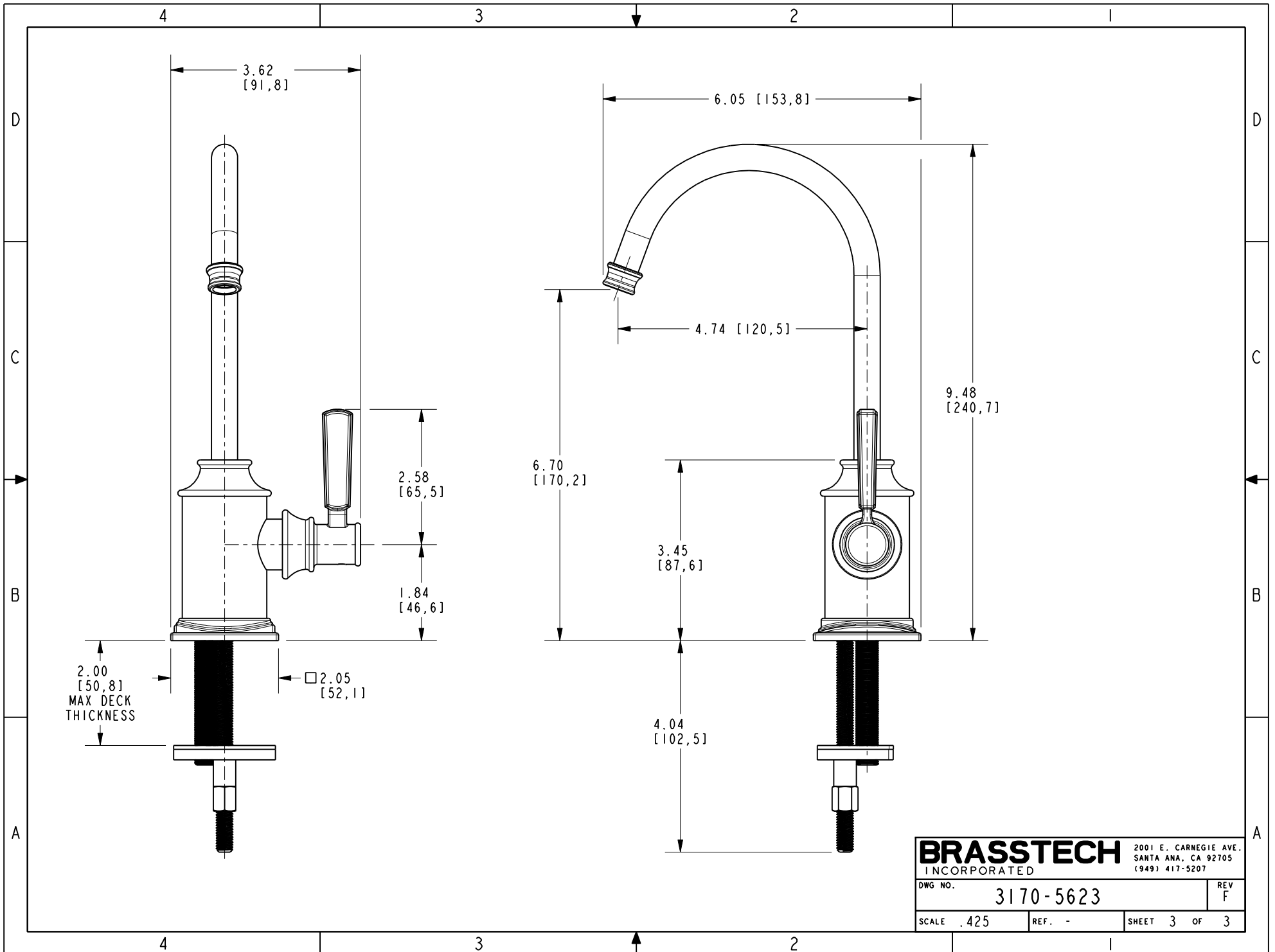
UNITS ARE: INCHES [MM]	
TOLERANCES ARE:	
FRACTIONS DECIMALS	ANGLES
$\pm 1/16"$	$\pm 1^\circ$
.X \pm .1	[2.5]
.XX \pm .06	[1.5]
(X.XXX) DENOTES CRITICAL DIMS. ALL THREADS ARE CRITICAL	
DRAWN	JINSON
	10/25/22
CHECKED	G.B.
	10/25/22
APPROVED	J.M.
	10/25/22

BRASSTECH 2001 CARNEGIE AVE. SANTA ANA, CA 92705 (949) 417-5207
INCORPORATED

WATER DISPENSER - COLD
DWG NO. **3170-5623** REV **F**
SCALE .450 REF. - SHEET 1 OF 3



BRASSTECH		2001 E. CARNEGIE AVE. SANTA ANA, CA 92705 (949) 417-5207
DWG NO.	3170-5623	REV F
SCALE .325	REF. -	SHEET 2 OF 3



BRASSTECH		2001 E. CARNEGIE AVE. SANTA ANA, CA 92705 (949) 417-5207
DWG NO.	3170-5623	REV F
SCALE .425	REF. -	SHEET 3 OF 3