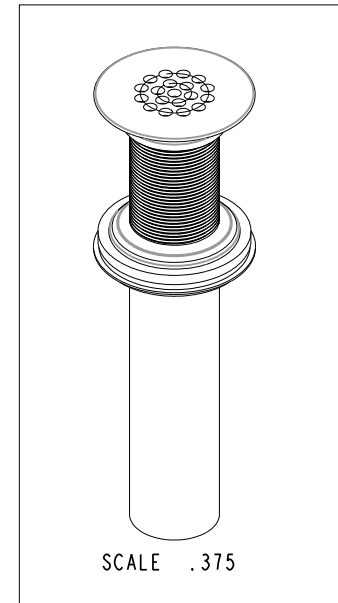
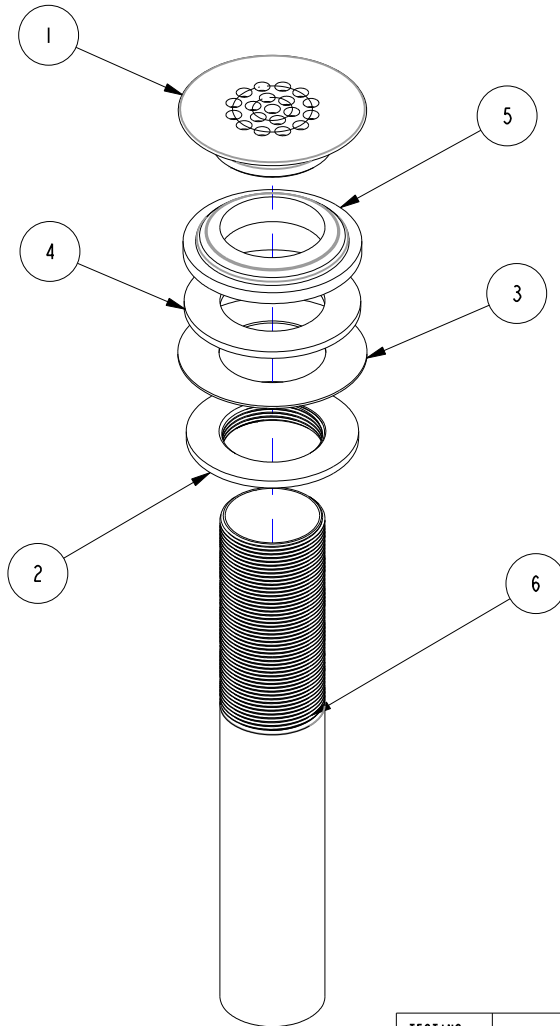


NOTES:

(NI) 1. TO INSPECT ASSEMBLY, FOLLOW FIRST ARTICLE AND IN PROCESS INSPECTION SHEET.

BILL OF MATERIAL (CURRENT LEVEL)

ITEM	PT/ASSY	DESCRIPTION	TYPE	QTY.
1	50459	DRAIN GRID BODY	PART	1
2	10209	MNT'G NUT - DRAIN FL	PART	1
3	50029	WSHR, 1.34 ID X 2.25 OD X .05 THK.	PART	1
4	91196	WASHER - 1-1/4 ID X .094 THK	PART	1
5	91197	WASHER - 1-1/4 MOLDED	PART	1
6	50460	TAILPIECE FOR DRAIN ASSY	PART	1



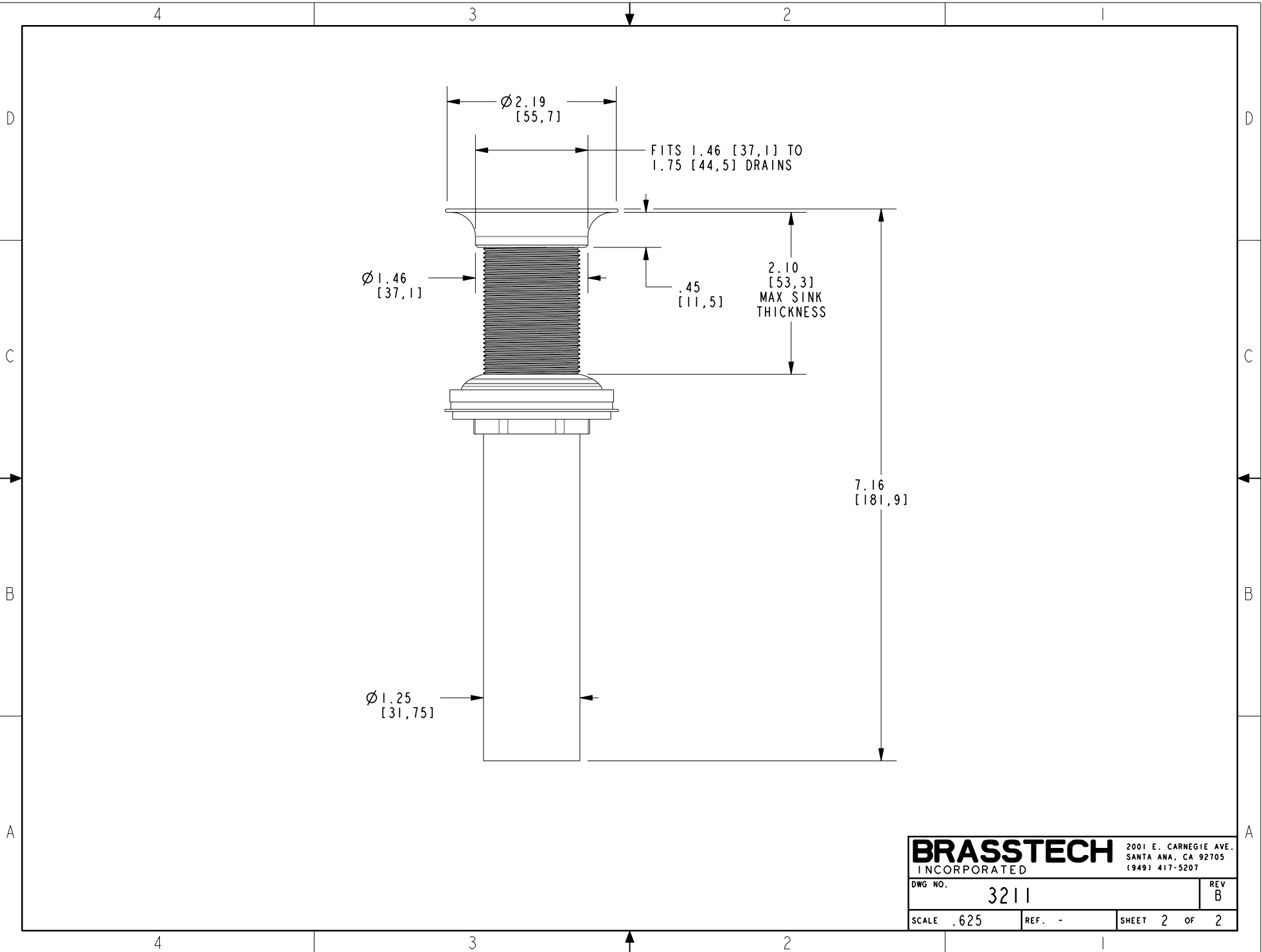
					UNITS ARE: INCHES [MM]		BRASSTECH 2001 CARNEGIE AVE. SANTA ANA, CA 92705 (949) 417-5207	
					TOLERANCES ARE:			
					FRACTIONS DECIMALS ANGLES		INCORPORATED	
					±1/16" .1 ±.1 [2.5] ±1°			
					.xx ±.06 [1.5]		DRAIN GRID STRAINER NO OVRFLW	
					(X.XXX) DENOTES CRITICAL DIMS. ALL THREADS ARE CRITICAL			
					DRAWN NMS 10/22/21		DWG NO. 3211	
					CHECKED W. SANTOS 10/22/21		REV B	
					APPROVED W. SANTOS 10/22/21		SCALE .438	
					TOOLING FIXTURE # REMOVE ALL BURRS AND SHARP EDGES		REF. - SHEET 1 OF 2	

COPYRIGHT 2005 BRASSTECH, INC. THESE DRAWINGS AND THE DESIGNS DEPICTED HEREIN ARE THE PROPRIETARY PROPERTY OF BRASSTECH. ANY USE OR REPRODUCTION IS SUBJECT TO THE EXPRESS APPROVAL OF BRASSTECH. UNAUTHORIZED USE IS STRICTLY PROHIBITED. ALL RIGHTS RESERVED.

ZONE	REV	DESCRIPTION	DATE	APPROVED
-	B	EN-430011	10/22/21	N.S.
-	A	EO-0646	01/30/06	-
-	-	RELEASED	PRE '95	-

TESTING	-	-	-
ASSEMBLY	-	-	-
PLATING	-	-	-
POLISHING	-	NEXT ASSY	USED ON
MACHINING	-	APPLICATION	
TOOLING FIXTURE #	REMOVE ALL BURRS AND SHARP EDGES		

BRASSTECH		2001 CARNEGIE AVE. SANTA ANA, CA 92705 (949) 417-5207	
INCORPORATED			
DRAIN GRID STRAINER NO OVRFLW			
DWG NO. 3211		REV B	
SCALE .438		REF. - SHEET 1 OF 2	



BRASSTECH		2001 E. CARNEGIE AVE.	
INCORPORATED		SANTA ANA, CA 92705	
		(949) 417-5207	
DWG NO.	3211	REV	B
SCALE .625	REF. -	SHEET 2	OF 2