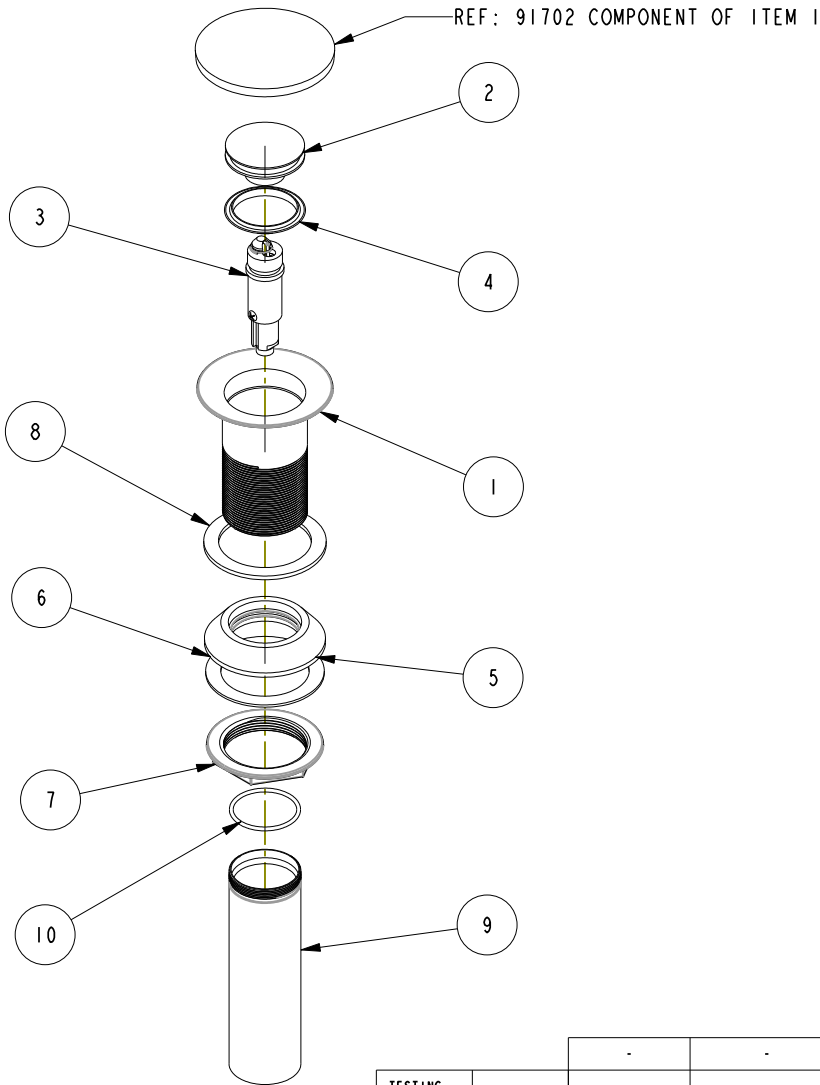


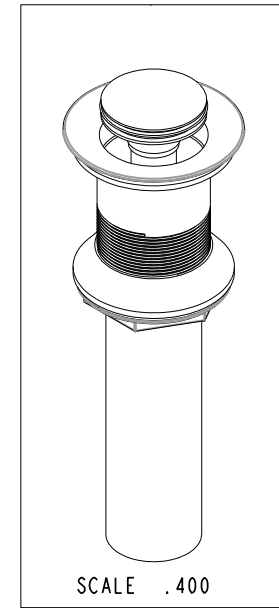
NOTES:

(NI) 1. TO INSPECT ASSEMBLY, FOLLOW FIRST ARTICLE AND IN PROCESS INSPECTION SHEET.



BILL OF MATERIAL (CURRENT LEVEL)

ITEM	PT/ASSY	DESCRIPTION	TYPE	QTY.
1	20-285	FLANGE ASM	ASSEMBLY	1
2	12587	DRAIN CAP	PART	1
3	1-708	ACTUATOR ASM	ASSEMBLY	1
4	91696	GASKET	PART	1
5	91698	CONE SEAL	PART	1
6	91705	WASHER	PART	1
7	92858	LOCK NUT	PART	1
8	91641	FLANGE WASHER	PART	1
9	12588	LOWER WASTE TUBE	PART	1
10	91699	O-RING	PART	1



ZONE	REV	DESCRIPTION	DATE	APPROVED
-	C	EN-430011	10/11/21	N.S.
-	B	EN-3563	03/26/18	V.V.
-	A	EN-3525	01/30/18	V.V.
-	-	EN-3152	10/26/16	V.V.

COPYRIGHT 2005 BRASSTECH, INC. THESE DRAWINGS AND THE DESIGNS DEPICTED HEREIN ARE THE PROPRIETARY PROPERTY OF BRASSTECH. ANY USE OR REPRODUCTION IS SUBJECT TO THE EXPRESS APPROVAL OF BRASSTECH. UNAUTHORIZED USE IS STRICTLY PROHIBITED. ALL RIGHTS RESERVED.

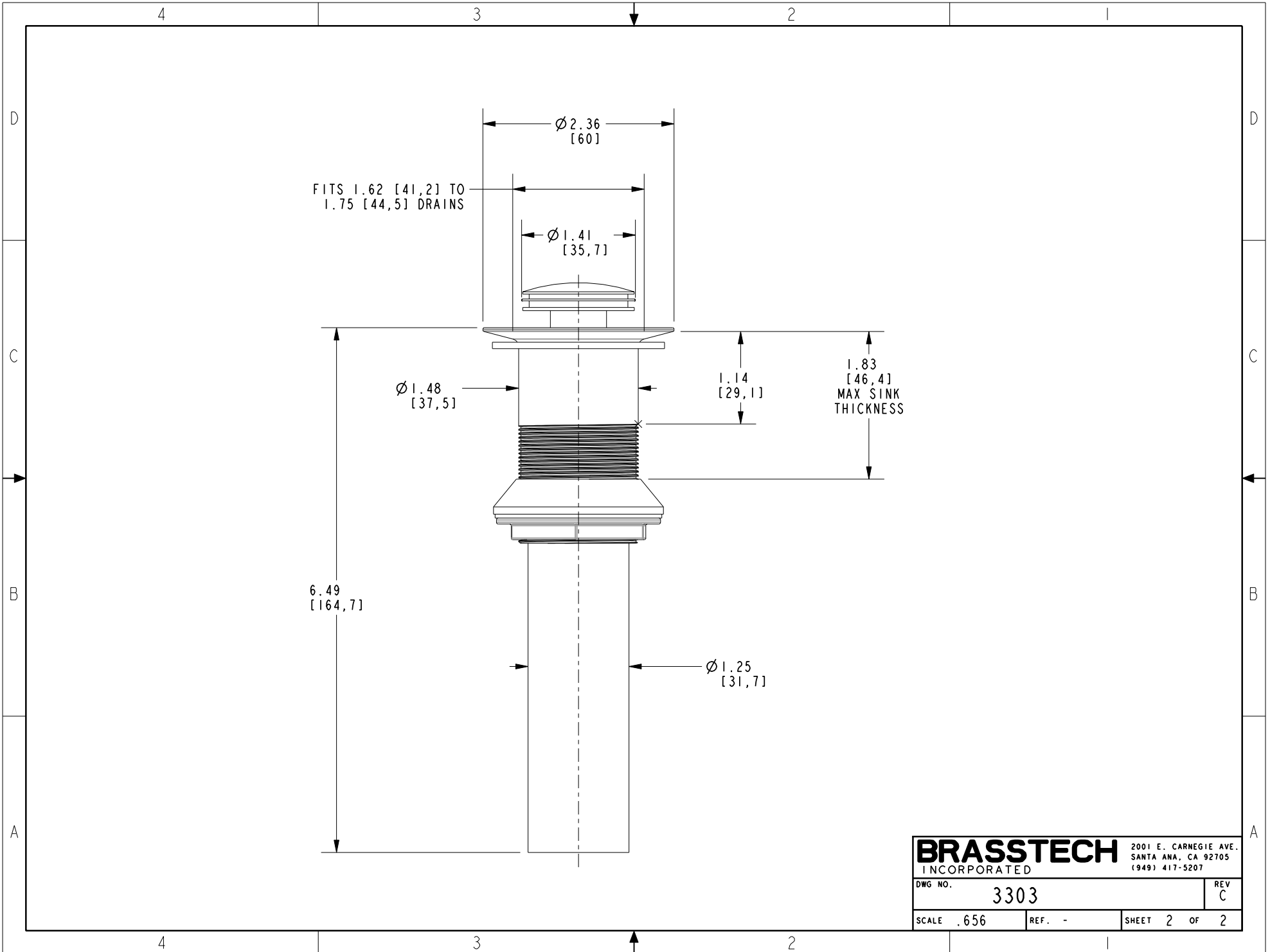
TESTING	-	-	-
ASSEMBLY	-	-	-
PLATING	-	-	-
POLISHING	-	NEXT ASSY	USED ON
MACHINING	-	APPLICATION	
TOOLING FIXTURE #	REMOVE ALL BURRS AND SHARP EDGES		

UNITS ARE: INCHES [MM]	
TOLERANCES ARE:	
FRACTIONS DECIMALS	ANGLES
±1/16"	.X ±.1 [2.5] ±1°
	.XX ±.06 [1.5]
(X.XXX) DENOTES CRITICAL DIMS. ALL THREADS ARE CRITICAL	
DRAWN	H. LE 10/26/16
CHECKED	V. VU 10/26/16
APPROVED	V. VU 10/26/16

BRASSTECH 2001 CARNEGIE AVE. SANTA ANA, CA 92705 (949) 417-5207
INCORPORATED

DRAIN, PUSH DOWN, NO OVERFLOW, FULLY POLISHED

DWG NO. 3303	REV C
SCALE .300	SHEET 1 OF 2



BRASSTECH		2001 E. CARNEGIE AVE.	
INCORPORATED		SANTA ANA, CA 92705	
		(949) 417-5207	
DWG NO.	3303	REV	C
SCALE .656	REF. -	SHEET 2	OF 2