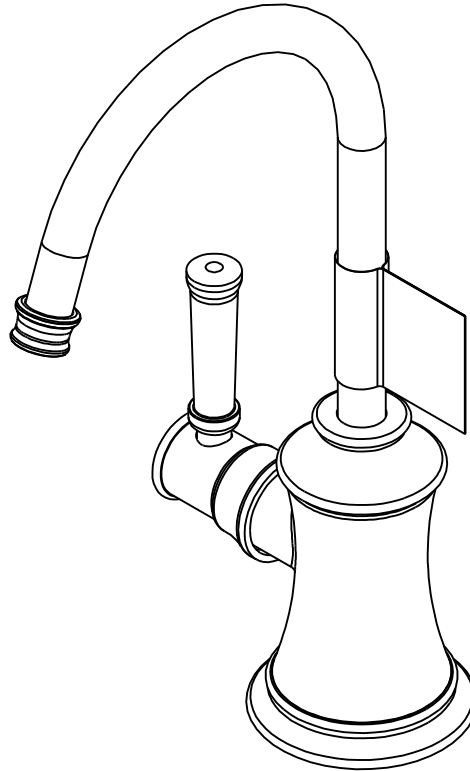


NOTES:

1. TO INSPECT ASSEMBLY, FOLLOW FIRST ARTICLE AND IN PROCESS INSPECTION SHEET.
2. APPLY LOCTITE 680.
3. CUT AND SHORTEN O-RING BY .13" TO .20" IN LENGTH BEFORE INSTALLING.
4. SLIT O-RING BEFORE INSTALLING.
5. APPLY LOCTITE 242.
6. CONNECT WHITE AND RED TUBINGS TOGETHER AND WATER TEST WHOLE UNIT.
7. BAG 92194 IN A SEPARATE BAG.
8. REWORK CARTRIDGE ASSY IF THE HANDLE DOES NOT RETURN TO THE 'OFF' POSITION AUTOMATICALLY AFTER WATER TESTING.
9. INSTALLATION TORQUE: 8-14 LB-FT.
10. INSTALLATION TORQUE: 78 LB-IN +/- 6 LB-IN.
11. LUBRICATE SPRING WITH DOW CORNING III.
12. INSTALLATION TORQUE: 10-14 LB-IN.
13. APPLY THIN FILM OF DOW CORNING III.



BILL OF MATERIAL (CURRENT LEVEL)

ITEM	PT/ASSY	DESCRIPTION	TYPE	QTY.
1	13626	BASE RING	PART	1
2	91756	O-RING #2-134, EP, 50 DURO - GREY	PART	1
3	13630	HOT WATER DISPENSER BODY	PART	1
4	1-470	SELF CLOSE CARTR 3/8 COLD 1/4 TR	PART	1
5	92927	HANDLE ADAPTER, SHORT	PART	1
6	92490	SCRW, M4 X 12 SKT FLT HD CAP SS	PART	1
7	13627	COLLAR	PART	1
8	91023	O-RING, #2- 019, EPDM, 65-75 DURO, NSF 61	PART	1
9	50713	SPOUT, WATER DISP. (TRAD.)	PART	1
10	91382	O-RING, #2- 012, TEFLON,	PART	1
11	91017	O-RING #2-012	PART	2
12	91383	O-RING, #2- 014, TEFLON, NSF 61	PART	1
13	13800	HANDLE HUB	PART	1
14	92017	SCRW, 1/4-20 X 3/16 SKT HD CUP PT SS	PART	1
15	13801	LEVER HANDLE	PART	1
16	1-431	RED SUPPLY LINE	ASSEMBLY	1
17	1-432	BLUE SUPPLY LINE	ASSEMBLY	1
18	1-433	GREY SUPPLY LINE	ASSEMBLY	1
19	92016	SCRW, 10-24 X 3/4 SKT HD FLT PT SS	PART	1
20	13070	RETAINER PLATE	PART	1
21	13289	NIPPLE	PART	1
22	1-393	1-1/8 18 UNEF MOUNTING KIT	ASSEMBLY	1
23	11733	SHELL, SPOUT, WATER DISP	PART	1
24	98043	TAG LABEL, HOT WATER WARNING	PART	1
25	92194	COUPLING, 3/8" X 1/4"	PART	1

TESTING	-	-	-
ASSEMBLY	-	-	-
PLATING	-	-	-
POLISHING	-	NEXT ASSY	USED ON
MACHINING	-	APPLICATION	
TOOLING FIXTURE #	REMOVE ALL BURRS AND SHARP EDGES		

UNITS ARE: INCHES [MM]  
TOLERANCES ARE:  
FRACTIONS DECIMALS ANGLES  
±1/16" .X ±.1 [2,5] ±°  
.XX ±.06 [1,5]

(X.XXX) DENOTES CRITICAL DIMS.  
ALL THREADS ARE CRITICAL

**BRASSTECH** 2001 CARNEGIE AVE.  
INCORPORATED SANTA ANA, CA 92705  
(949) 417-5207

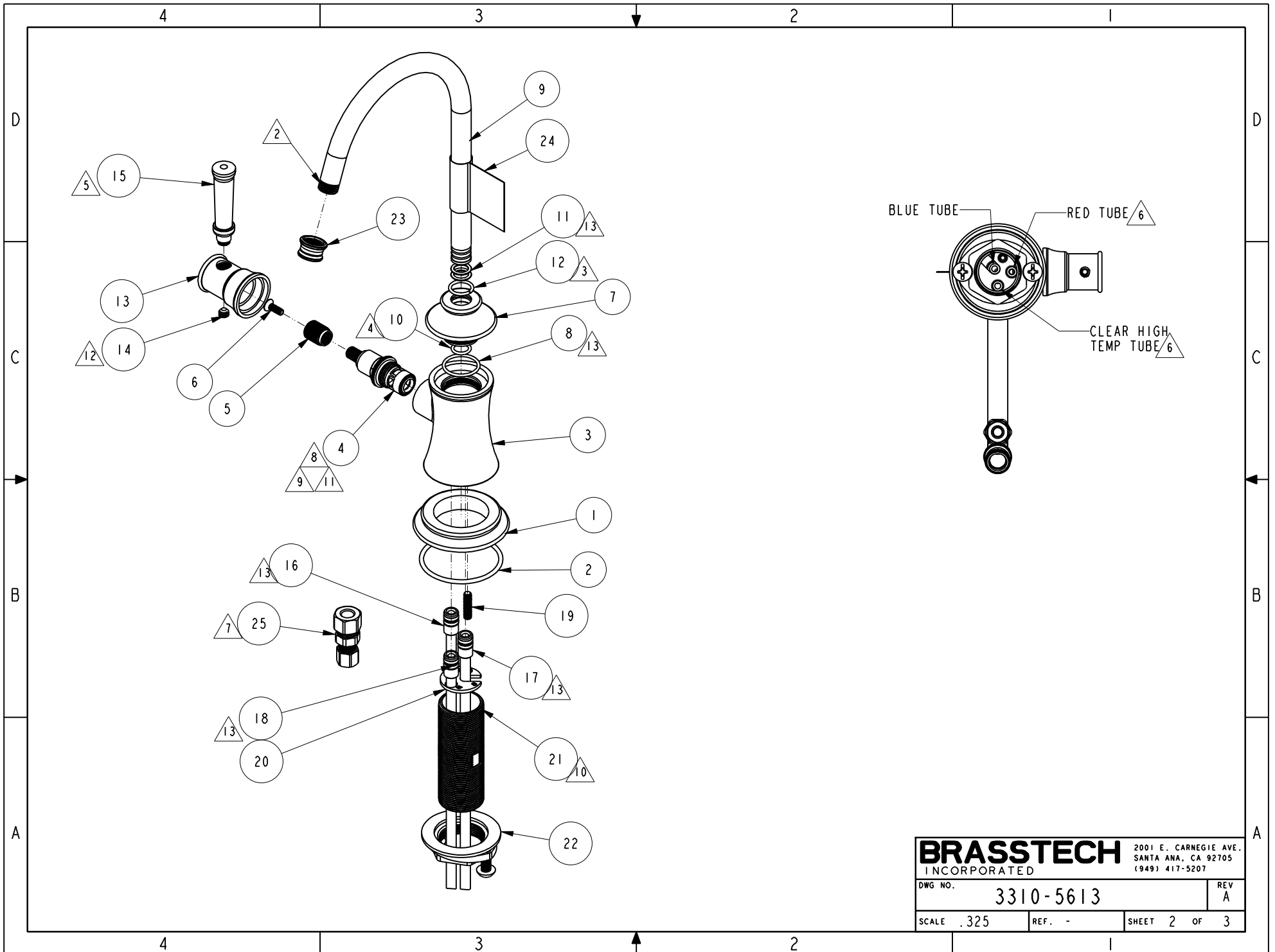
**HOT WATER DISPENSER**

DWG NO. **3310-5613** REV **A**

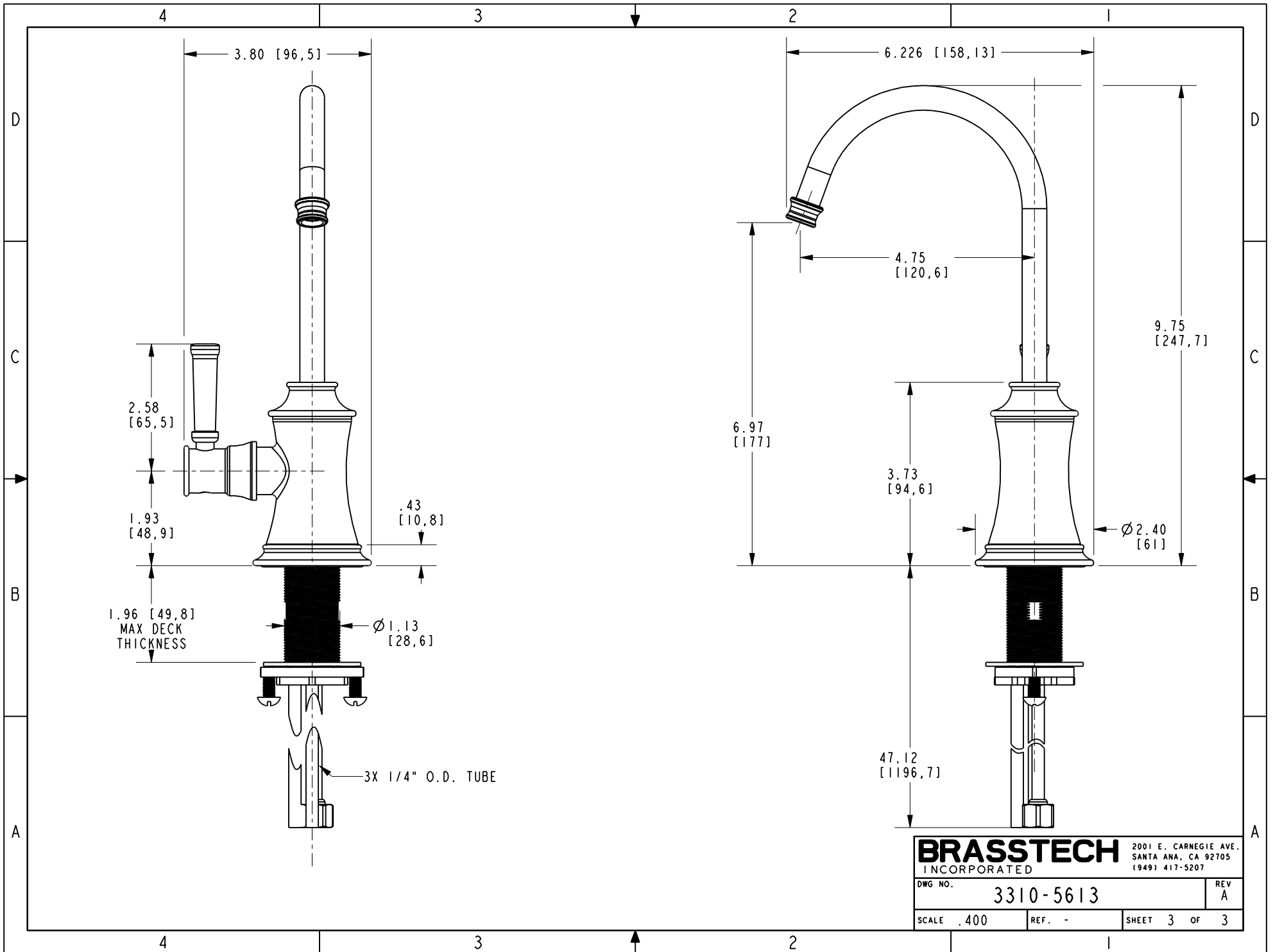
SCALE .500 REF. - SHEET 1 OF 3

-	A	EN-4187	10/25/22	J.M.
-	-	EN-4290	12/06/20	J.M.
ZONE	REV	DESCRIPTION	DATE	APPROVED

COPYRIGHT 2005 BRASSTECH, INC.  
THESE DRAWINGS AND THE DESIGNS  
DEPICTED HEREIN ARE THE PROPRIETARY  
PROPERTY OF BRASSTECH. ANY USE  
OR REPRODUCTION IS SUBJECT TO  
THE EXPRESS APPROVAL OF BRASSTECH.  
UNAUTHORIZED USE IS STRICTLY  
PROHIBITED. ALL RIGHTS RESERVED.



<b>BRASSTECH</b>		2001 E. CARNEGIE AVE. SANTA ANA, CA 92705 (949) 417-5207
DWG NO.	3310-5613	REV A
SCALE .325	REF. -	SHEET 2 OF 3



**BRASSTECH** 2001 E. CARNEGIE AVE.  
 INCORPORATED SANTA ANA, CA 92705  
 (949) 417-5207

DWG NO.	3310-5613	REV	A
SCALE	.400	REF.	-
		SHEET	3 OF 3