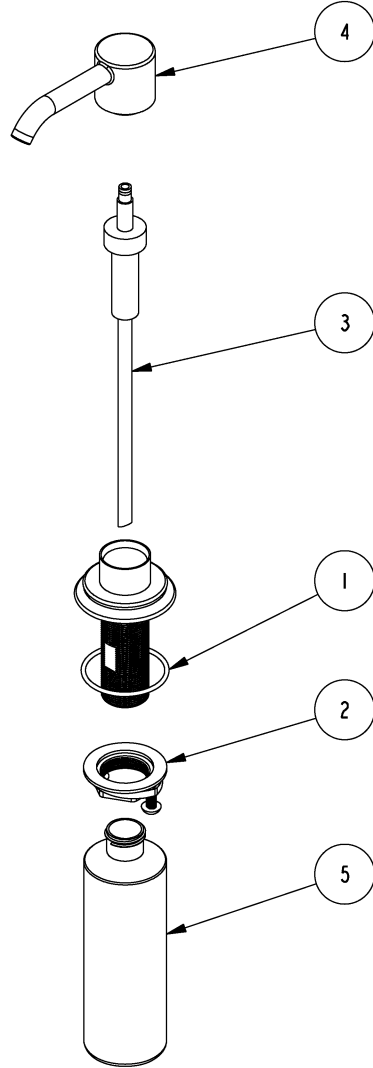


# REPLACEMENT PARTS

ITEM	PT/ASSY	SPECIFY FINISH	DESCRIPTION
1	91756		O-RING #2-134, EP, 50 DURO - GREY
2	1-393		1-1/8 18 UNEF MOUNTING KIT
3	125-8		SOAP DISPENSER PUMP ASM
4	20-373	YES	SOAP PUMP HEAD ASM CONTEMP
5	125-9		SOAP DISPENSER BOTTLE



SOAP/LOTIN DISPENSER  
3310-5721

REV A 4648 EN-4648

**NEWPORT BRASS.**

t: 949.417.5207 | www.newportbrass.com