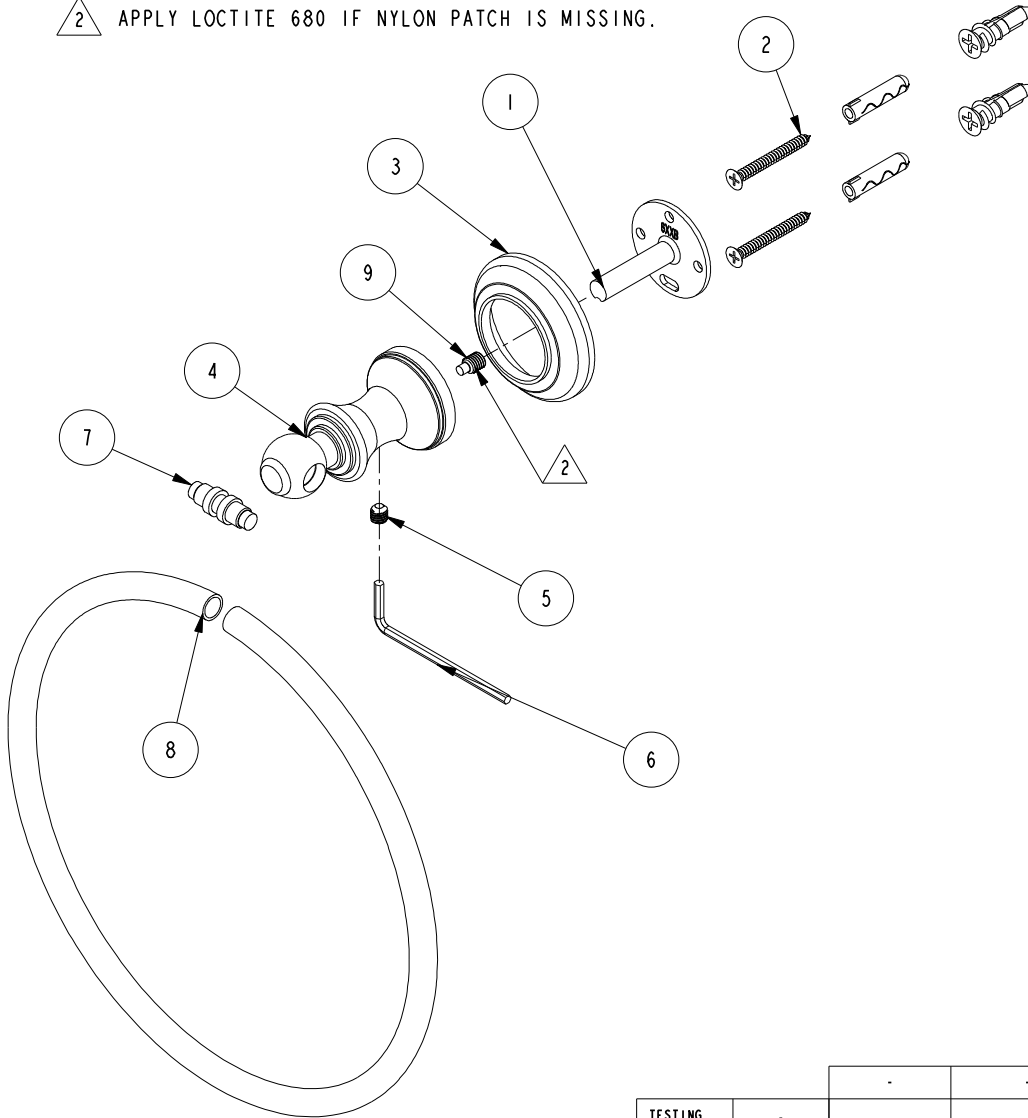


NOTES:

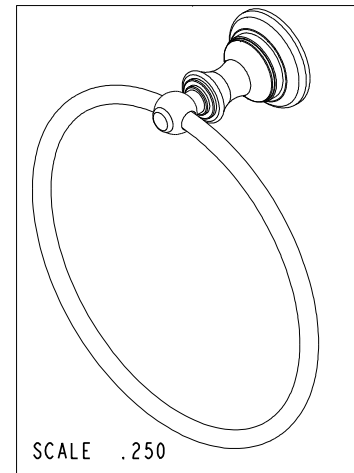
(N1) 1. TO INSPECT ASSEMBLY, FOLLOW FIRST ARTICLE AND IN PROCESS INSPECTION SHEET.

2 APPLY LOCTITE 680 IF NYLON PATCH IS MISSING.



BILL OF MATERIAL (CURRENT LEVEL)

| ITEM | PT/ASSY | DESCRIPTION | TYPE | QTY. |
|------|---------|---|----------|------|
| 1 | 6XXB | MOUNTING BRACKET | PART | 1 |
| 2 | 1-206 | HARDWARE PACK | ASSEMBLY | 1 |
| 3 | 2-656 | HANDLE ESCUTCHEON ASM | ASSEMBLY | 1 |
| 4 | 40724 | TOWEL RING POST | PART | 1 |
| 5 | 92031 | SCRW, M6 X 1 X 6 SKT HD CUP PT W/ SELF LOC SS | PART | 1 |
| 6 | 10615 | HEX KEY, 3MM ALLOY STEEL | PART | 1 |
| 7 | 40467 | TOWEL RING COUPLER | PART | 1 |
| 8 | 40469 | 8" TOWEL RING | PART | 1 |
| 9 | 92314 | SCRW, M6 X 1 X 10 SKT HD DOG PT SS | PART | 1 |



| | | | |
|-------------------|----------------------------------|-------------|---------|
| TESTING | - | - | - |
| ASSEMBLY | - | - | - |
| PLATING | - | - | - |
| POLISHING | - | NEXT ASSY | USED ON |
| MACHINING | - | APPLICATION | |
| TOOLING FIXTURE # | REMOVE ALL BURRS AND SHARP EDGES | | |

UNITS ARE: INCHES [MM]
TOLERANCES ARE:
FRACTIONS DECIMALS ANGLES
±1/16" .X ±.1 [2.5] ±1°
.XX ±.06 [1.5]

(X.XXX) DENOTES CRITICAL DIMS.
ALL THREADS ARE CRITICAL

DRAWN R.S. 09/03/19
CHECKED J.M. 09/03/19
APPROVED J.M. 09/03/19

BRASSTECH
INCORPORATED

2001 CARNEGIE AVE.
SANTA ANA, CA 92705
(949) 417-5207

TOWEL RING

DWG NO.

35-09

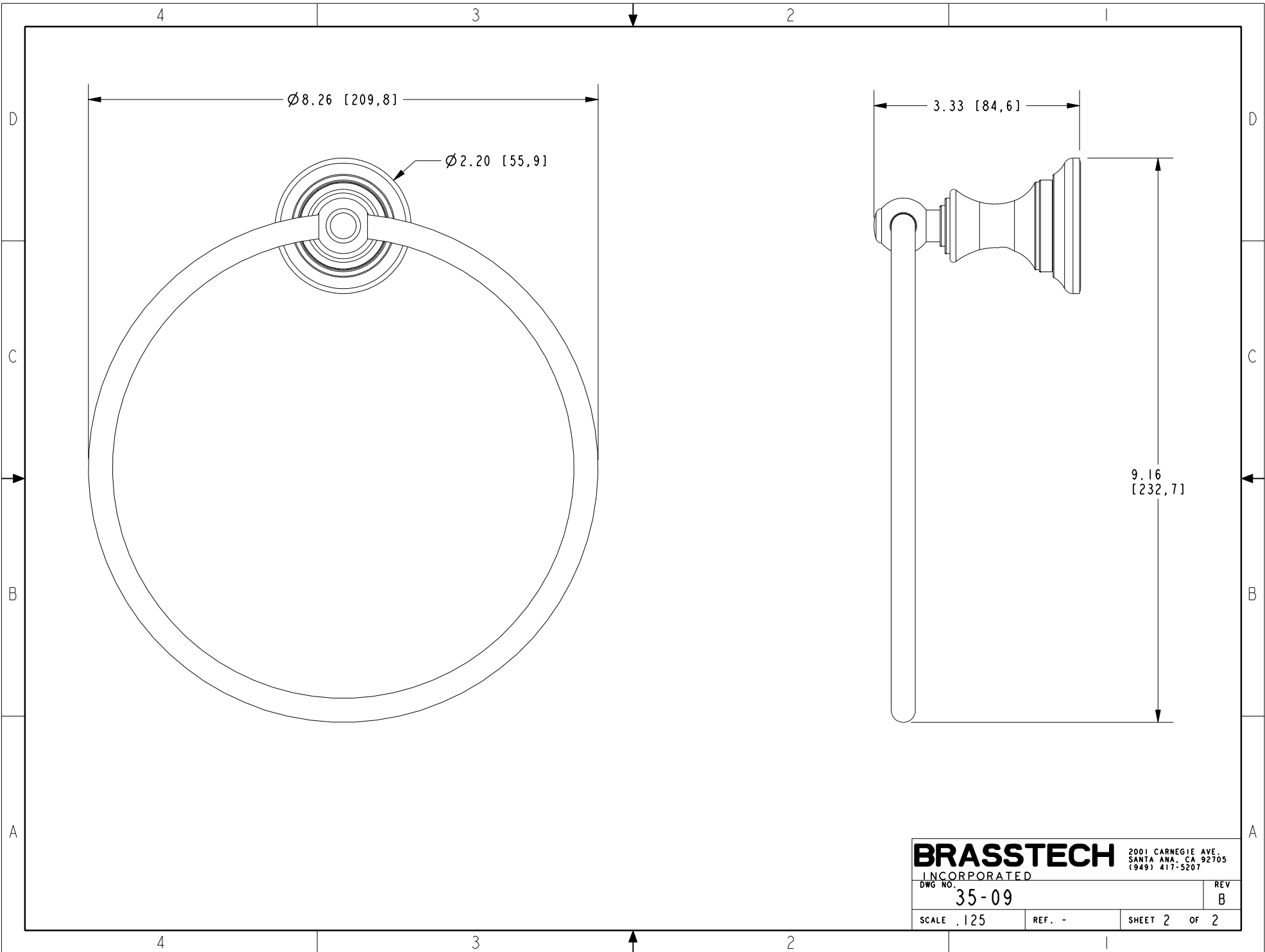
REV
B

SCALE .375

REF. -

SHEET 1 OF 2

| - | B | EN-4221 | 08/17/20 | J.M. | COPYRIGHT 2005 BRASSTECH, INC. THESE DRAWINGS AND THE DESIGNS DEPICTED HEREIN ARE THE PROPRIETARY PROPERTY OF BRASSTECH. ANY USE OR REPRODUCTION IS SUBJECT TO THE EXPRESS APPROVAL OF BRASSTECH. UNAUTHORIZED USE IS STRICTLY PROHIBITED. ALL RIGHTS RESERVED. |
|------|-----|-------------|----------|----------|--|
| - | A | EN-3950 | 09/03/19 | J.M. | |
| - | - | EN-1266 | 06/02/10 | J.M. | |
| ZONE | REV | DESCRIPTION | DATE | APPROVED | |



| | | | |
|------------------|-------|---|--------|
| BRASSTECH | | 2001 CARNEGIE AVE. SANTA ANA, CA 92705 (949) 417-5207 | |
| INCORPORATED | | | |
| DWG NO. | 35-09 | REV | B |
| SCALE | .125 | REF. | - |
| | | SHEET | 2 OF 2 |