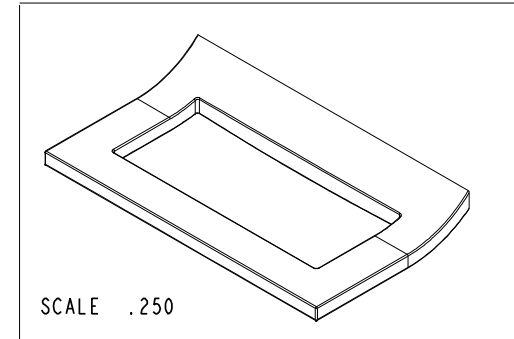
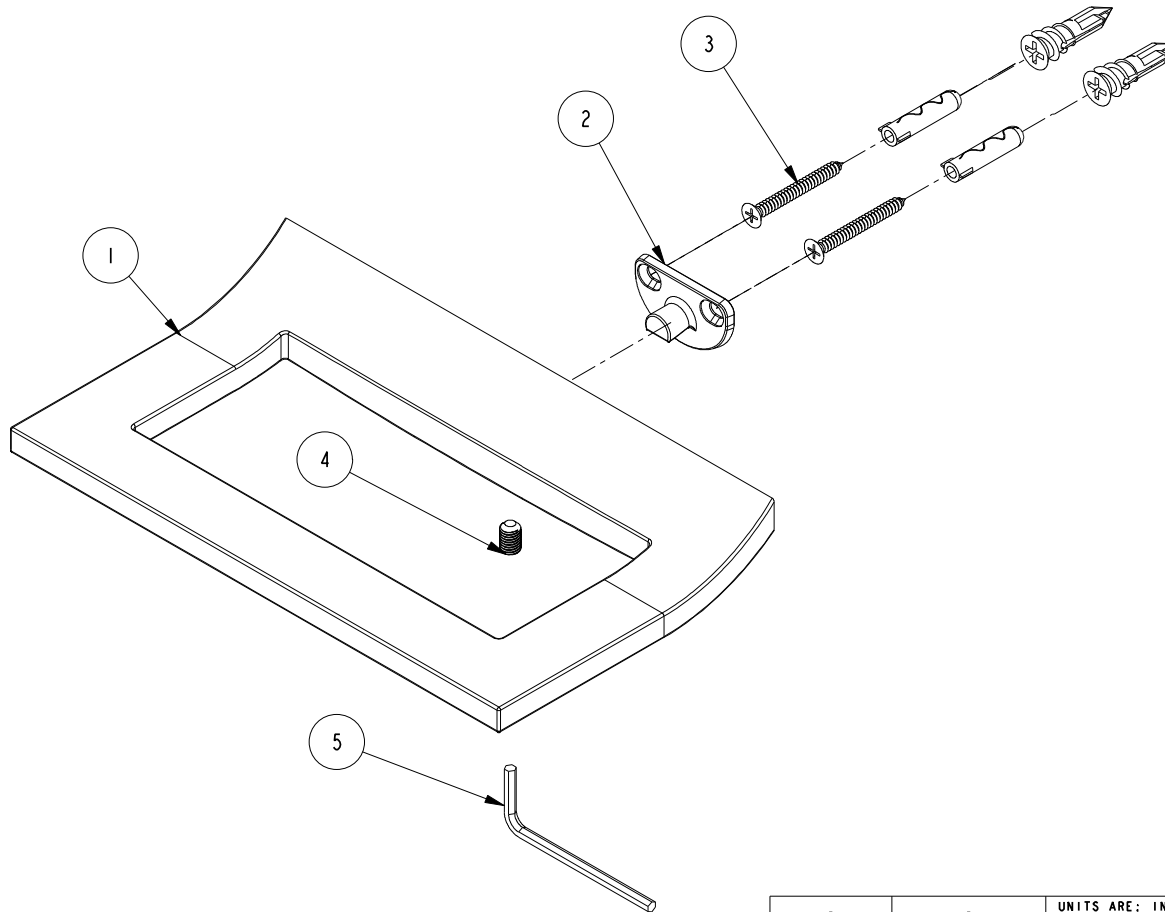


NOTES:

(N1) 1. FIT / FORM / FUNCTION SHALL FOLLOW PS-E.008.

**BILL OF MATERIAL (CURRENT LEVEL)**

ITEM	PT/ASSY	DESCRIPTION	TYPE	QTY.
1	40419	TOWEL RING POST	PART	1
2	92437	MOUNTING BRACKET	PART	1
3	1-206	HARDWARE PACK	ASSEMBLY	1
4	92495	SCRW, 1/4-28 X 3/8 SKT HD CUP PT W/ SELF LOC SS	PART	1
5	92422	HEX KEY, 1/8" ALLOY STEEL	PART	1

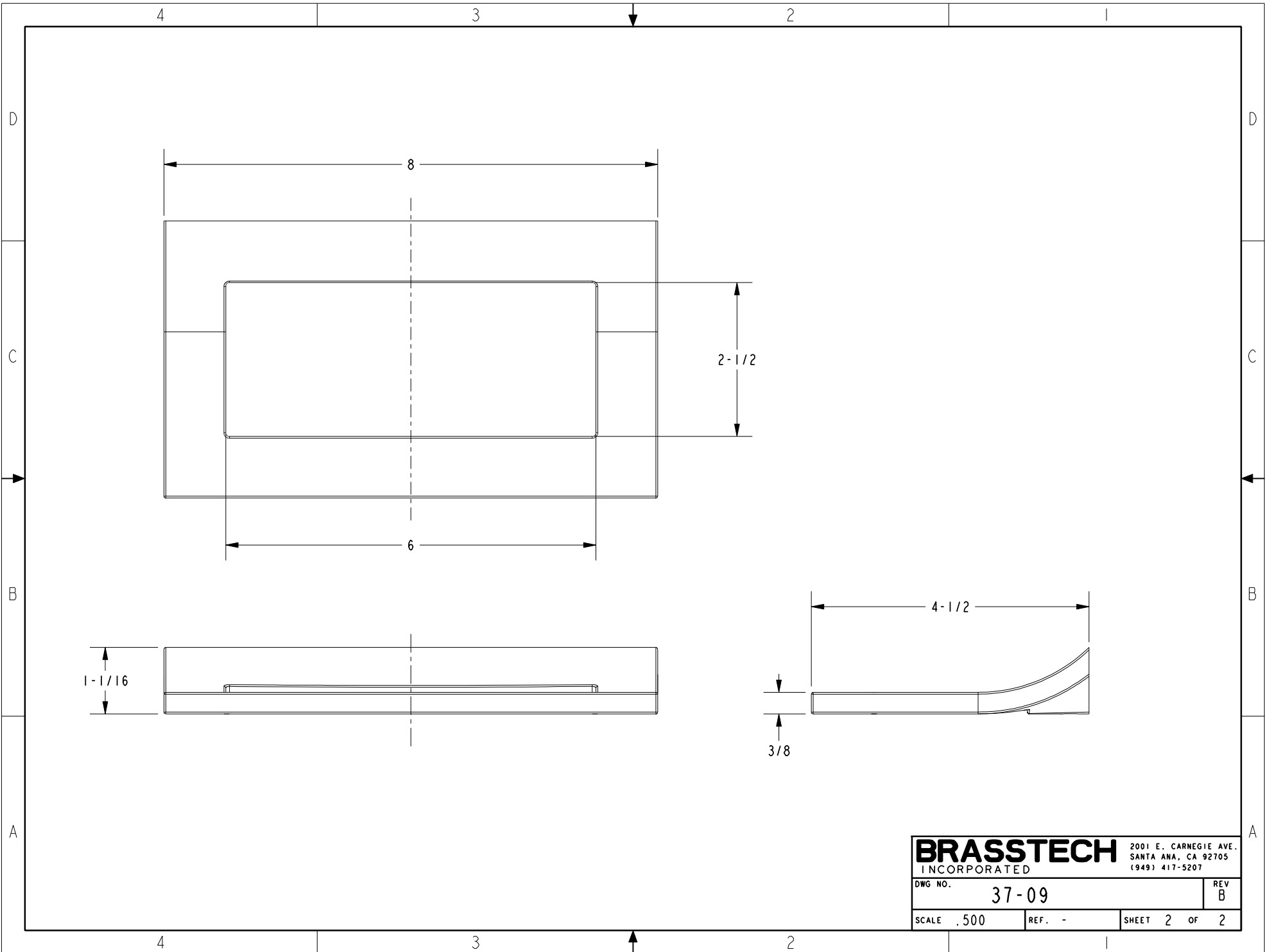


ZONE	REV	DESCRIPTION	DATE	APPROVED	TESTING	ASSEMBLY	PLATING	POLISHING	MACHINING	TOOLING FIXTURE #	APPLICATION	REMOVE ALL BURRS AND SHARP EDGES	UNITS ARE: INCHES [MM]	TOLERANCES ARE:	FRACTIONS	DECIMALS	ANGLES	(X.XXX) DENOTES CRITICAL DIMS.	ALL THREADS ARE CRITICAL	DRAWN	R.S.	11/09/10	CHECKED	J.M.	11/09/10	APPROVED	J.M.	11/09/10	SCALE	.450	REF.	-	SHEET	1	OF	2
-	B	EN-4032	12/17/19	R.S.	-	-	-	-	-	-	-	-																								
-	A	EN-1718	04/01/11	R.S.	-	-	-	-	-	-	-	-																								
-	-	EN-1294	11/09/10	J.M.	-	-	-	-	-	-	-	-																								

**BRASSTECH** 2001 CARNEGIE AVE.  
INCORPORATED SANTA ANA, CA 92705  
(949) 417-5207

TOWEL RING

DWG NO. 37-09 REV B



<b>BRASSTECH</b>		2001 E. CARNEGIE AVE. SANTA ANA, CA 92705 (949) 417-5207	
DWG NO.	37-09	REV	B
SCALE	.500	REF.	-
SHEET 2		OF 2	