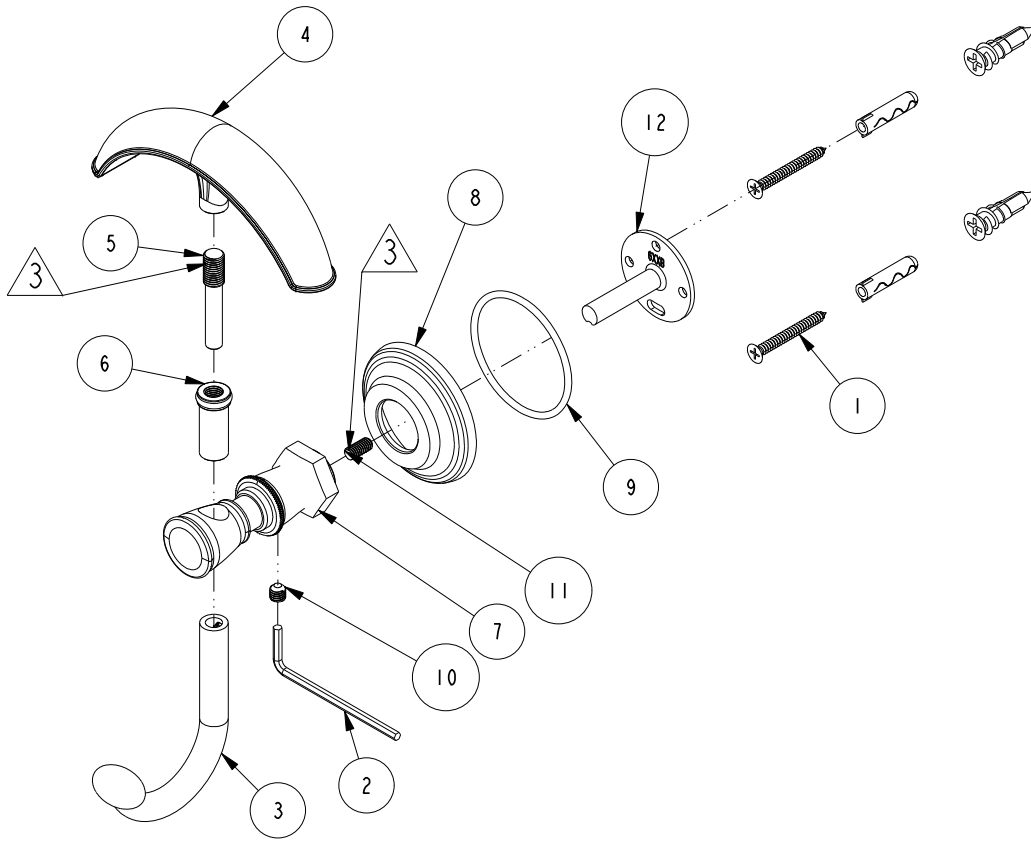


NOTES:

1. TO INSPECT ASSEMBLY, FOLLOW FIRST ARTICLE AND IN PROCESS INSPECTION SHEET.

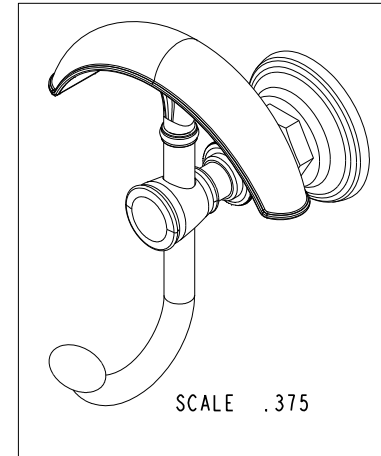
2. PLACE ITEM# 1 AND 2 IN SEPARATE BAG.

3. APPLY ADHESIVE LOCTITE 680.



BILL OF MATERIAL (CURRENT LEVEL)

ITEM	PT/ASSY	DESCRIPTION	TYPE	QTY.
1	1-206	HARDWARE PACK	ASSEMBLY	1
2	10615	HEX KEY, 3MM ALLOY STEEL	PART	1
3	40480	HOOK ARM	PART	1
4	40481	HOOK TOP FLANGE	PART	1
5	40501	ROBE HOOK STEM	PART	1
6	40502	ROBE HOOK STEM COVER	PART	1
7	40540	POST	PART	1
8	40553	ESCUTCHEON	PART	1
9	91756	O-RING #2-134, EP, 50 DURO - GREY	PART	1
10	92031	SCRW, M6 X 1 X 6 SKT HD CUP PT SS	PART	1
11	92098	SCRW, M5 X .8 X 12M SKT HD CONE POINT SS	PART	1
12	6XXB	MOUNTING BRACKET	PART	1



-	E	EN-43001	10/25/21	R.S.
-	D	EN-3722	02/08/19	C.G.
-	C	EN-3196	11/16/16	J.M.
-	B	EN-2881	05/05/15	J.M.
-	A	EN-2717	04/16/14	-
-	-	EN-2086	09/01/13	-
ZONE	REV	DESCRIPTION	DATE	APPROVED

COPYRIGHT 2005 BRASSTECH, INC. THESE DRAWINGS AND THE DESIGNS DEPICTED HEREIN ARE THE PROPRIETARY PROPERTY OF BRASSTECH. ANY USE OR REPRODUCTION IS SUBJECT TO THE EXPRESS APPROVAL OF BRASSTECH. UNAUTHORIZED USE IS STRICTLY PROHIBITED. ALL RIGHTS RESERVED.

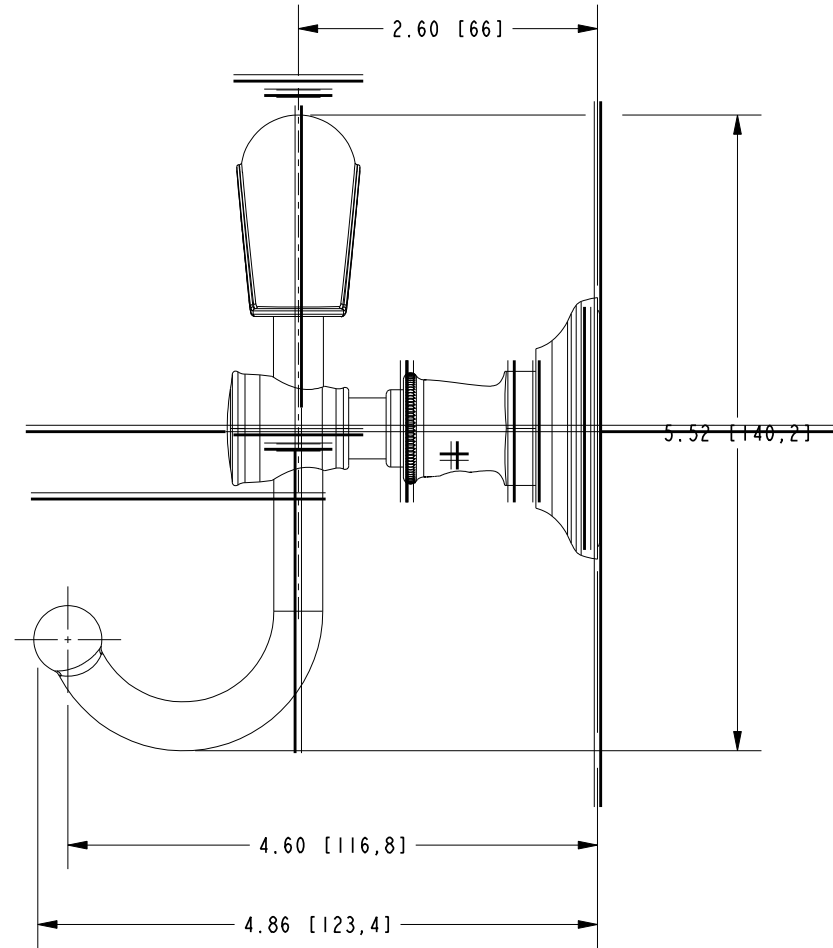
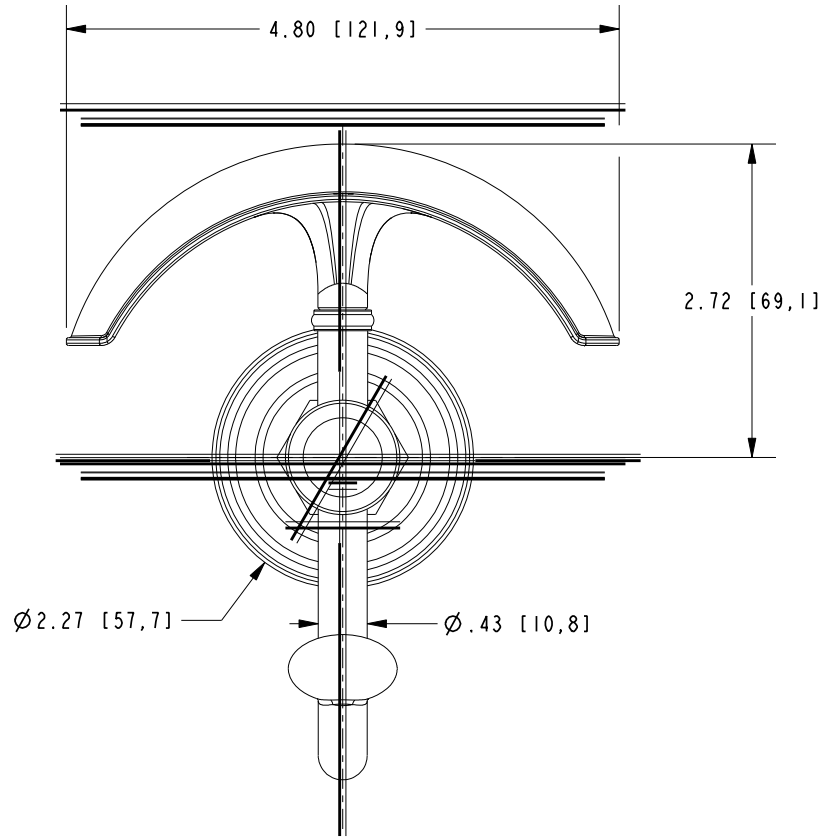
TESTING	-	-	-
ASSEMBLY	-	-	-
PLATING	-	-	-
POLISHING	-	NEXT ASSY	USED ON
MACHINING	-	APPLICATION	
TOOLING FIXTURE #	REMOVE ALL BURRS AND SHARP EDGES		

UNITS ARE: INCHES [MM]			
TOLERANCES ARE:			
FRACTIONS	DECIMALS	ANGLES	
±1/16"	.X ±.1 [2.5]	±°	
	.XX ±.06 [1.5]		
(X.XXX) DENOTES CRITICAL DIMS. ALL THREADS ARE CRITICAL			
DRAWN	JINSON	10/25/21	
CHECKED	R.S.	10/25/21	
APPROVED	R.S.	10/25/21	

BRASSTECH 2001 CARNEGIE AVE. SANTA ANA, CA 92705 (949) 417-5207
INCORPORATED

DOUBLE ROBE HOOK

DWG NO.	40-13	REV	E
SCALE	.350	REF.	-
SHEET	1	OF	2



BRASSTECH		2001 E. CARNEGIE AVE. SANTA ANA, CA 92705 (949) 417-5207	
DWG NO.	40-13	REV	E
SCALE	.600	REF.	-
SHEET 2		OF 2	