

4

3

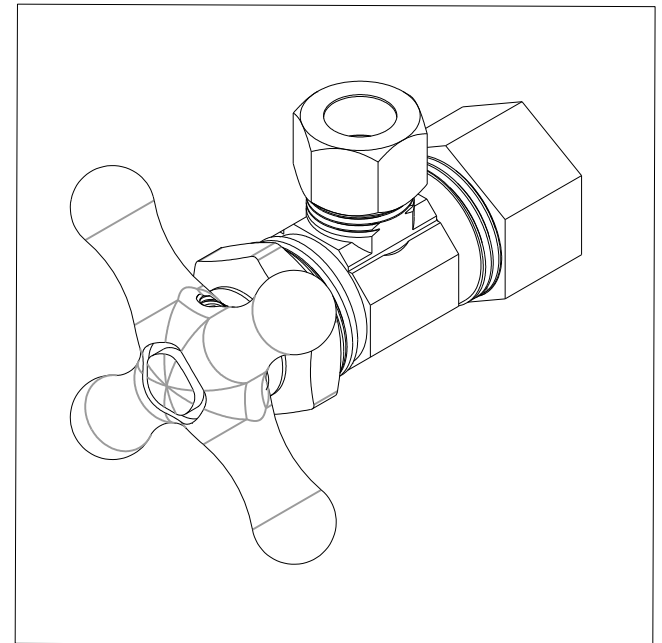
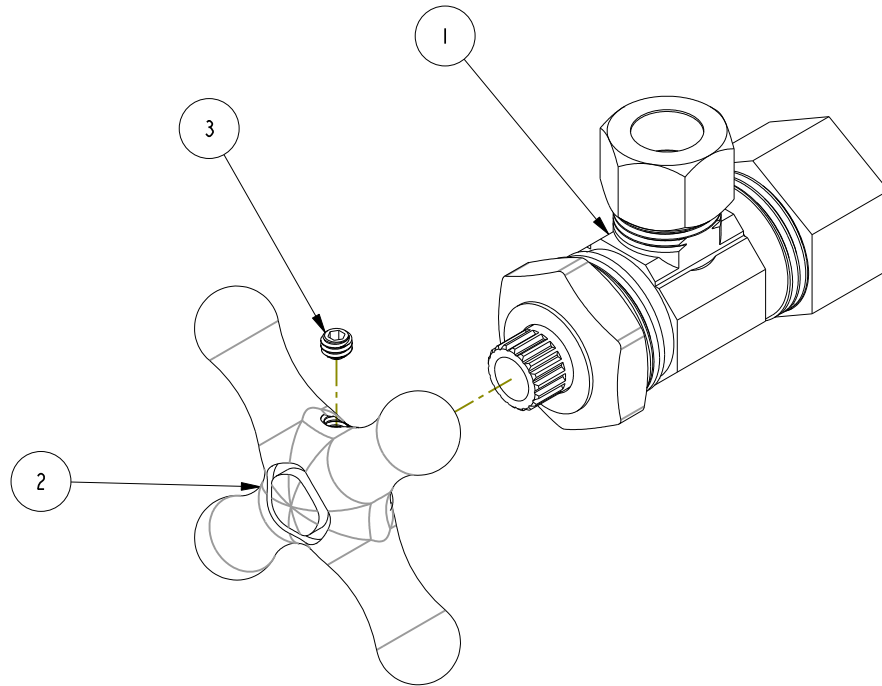
2

NOTES:

(N1) 1. FIT / FORM / FUNCTION SHALL FOLLOW PS-E.008.

BILL OF MATERIAL (CURRENT LEVEL)

ITEM	PT/ASSY	DESCRIPTION	TYPE	QTY.
1	6-403	A.V. 1/2" CU X 3/8" CMP	ASSEMBLY	1
2	50356	CROSS HANDLE	PART	1
3	92000	SCREW 8 - 32 X 1/8 SS	PART	1



TESTING	-	-	-
ASSEMBLY	-	-	-
PLATING	-	-	-
POLISHING	-	NEXT ASSY	USED ON
MACHINING	-	APPLICATION	
TOOLING FIXTURE #	REMOVE ALL BURRS AND SHARP EDGES		

UNITS ARE: INCHES [MM]  
 TOLERANCES ARE:  
 FRACTIONS DECIMALS ANGLES  
 $\pm 1/16"$   $.X \pm .1$  [2,5]  $\pm 1^\circ$   
 $.XX \pm .06$  [1,5]

(X.XXX) DENOTES CRITICAL DIMS.  
 ALL THREADS ARE CRITICAL

**BRASSTECH** 2001 CARNEGIE AVE.  
 INCORPORATED SANTA ANA, CA 92705  
 (949) 417-5207

1/2" COMP. X 3/8" SUPPLY VALVE

ZONE	REV	DESCRIPTION	DATE	APPROVED
-	E	EN-430011	10/25/21	N.S.
-	D	EN-2514	04/26/13	R.S.
-	C	EN-1699	02/03/11	R.S.

COPYRIGHT 2005 BRASSTECH, INC.  
 THESE DRAWINGS AND THE DESIGNS  
 DEPICTED HEREIN ARE THE PROPRIETARY  
 PROPERTY OF BRASSTECH. ANY USE  
 OR REPRODUCTION IS SUBJECT TO  
 THE EXPRESS APPROVAL OF BRASSTECH.  
 UNAUTHORIZED USE IS STRICTLY  
 PROHIBITED. ALL RIGHTS RESERVED.

DRAWN HMS 10/25/21  
 CHECKED W. SANTOS 10/25/21  
 APPROVED W. SANTOS 10/25/21

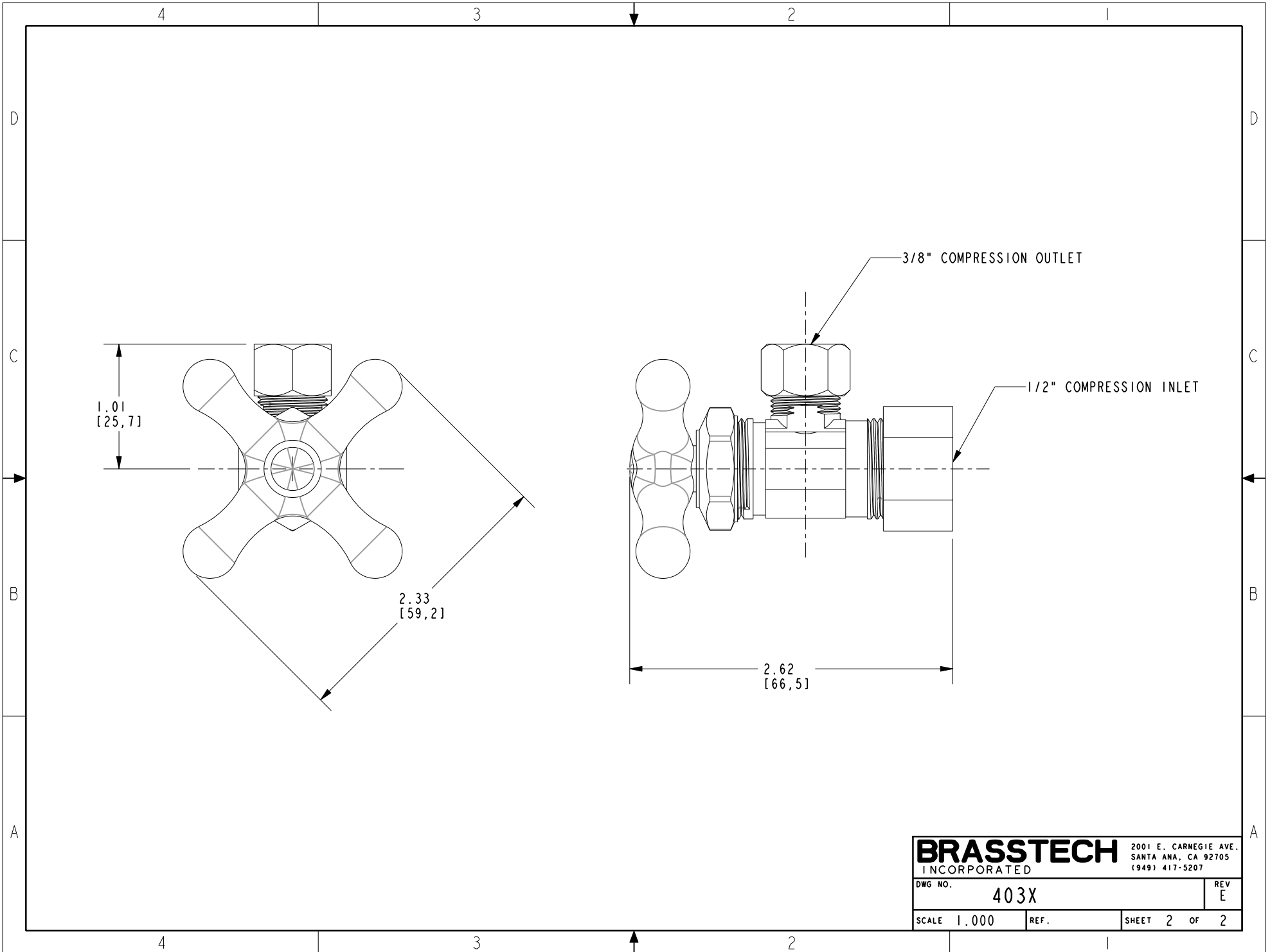
DWG NO. 403X  
 SCALE 1.000 REF. SHEET 1 OF 2

4

3

2

1



<b>BRASSTECH</b>		2001 E. CARNEGIE AVE.	
INCORPORATED		SANTA ANA, CA 92705	
		(949) 417-5207	
DWG NO.	403X		REV E
SCALE 1.000	REF.	SHEET 2 OF 2	