

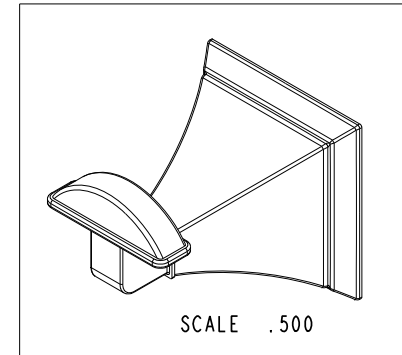
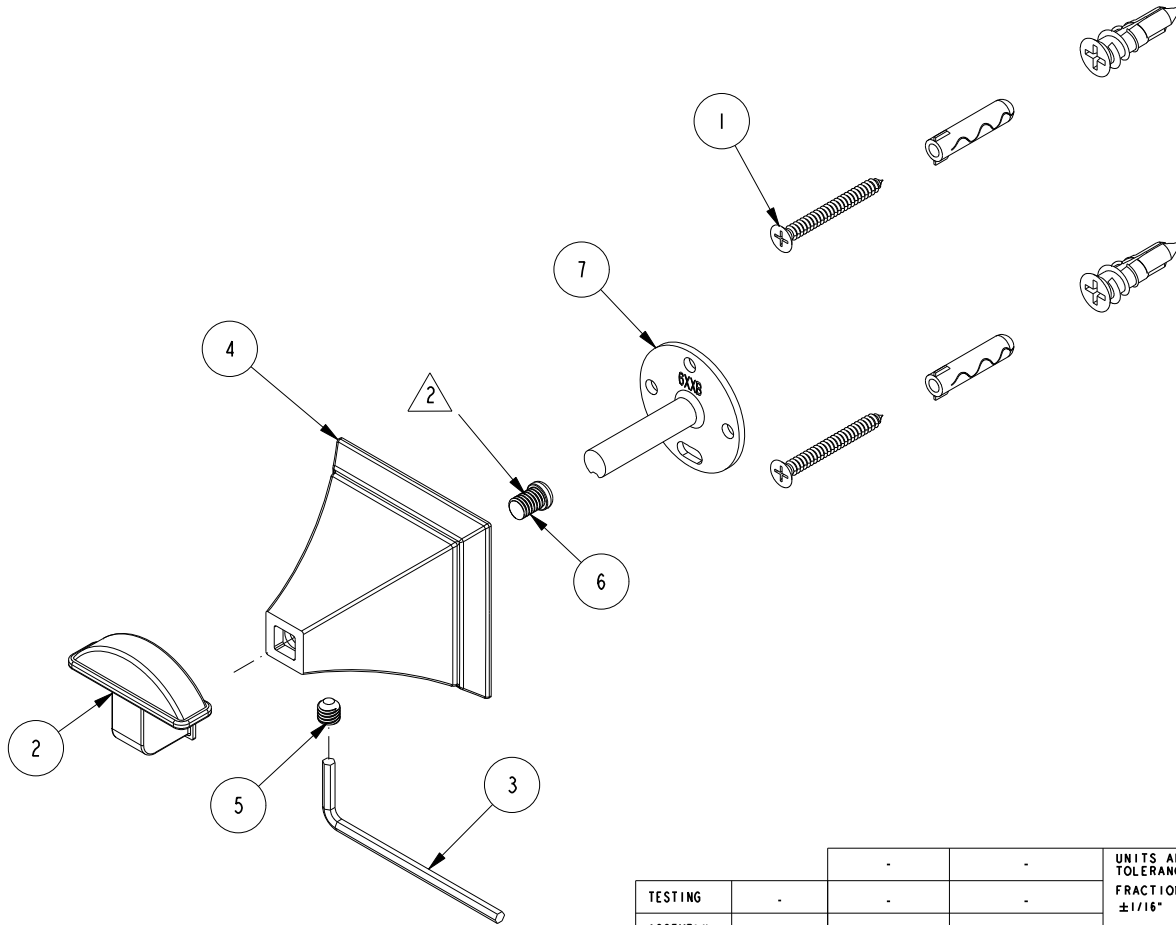
NOTES:

(N1) 1. TO INSPECT ASSEMBLY, FOLLOW FIRST ARTICLE AND IN PROCESS INSPECTION SHEET.

(N2)  APPLY LOCTITE 680.

BILL OF MATERIAL (CURRENT LEVEL)

ITEM	PT/ASSY	DESCRIPTION	TYPE	QTY.
1	1-206	HARDWARE PACK	ASSEMBLY	1
2	7-763	ROBE HOOK POST ASM	ASSEMBLY	1
3	10615	HEX KEY, 3MM ALLOY STEEL	PART	1
4	40516	POST - ROBE HOOK	PART	1
5	92031	SCRW, M6 X 1 X 6 SKT HD CUP PT SS	PART	1
6	92908	SCREW, M6 X 1 X 8 PHIL PAN HD SS	PART	1
7	6XXB	MOUNTING BRACKET	PART	1



TESTING	-	-	-
ASSEMBLY	-	-	-
PLATING	-	-	-
POLISHING	-	NEXT ASSY	USED ON
MACHINING	-	APPLICATION	
TOOLING FIXTURE #	REMOVE ALL BURRS AND SHARP EDGES		

UNITS ARE: INCHES [MM]
TOLERANCES ARE:
FRACTIONS DECIMALS ANGLES
±1/16" .X ±.1 [2.5] ±1°
.XX ±.06 [1.5]

(X.XXX) DENOTES CRITICAL DIMS.
ALL THREADS ARE CRITICAL

DRAWN	R.S.	10/21/19
CHECKED	J.M.	10/21/19
APPROVED	J.M.	10/21/19

BRASSTECH
INCORPORATED

2001 CARNEGIE AVE.
SANTA ANA, CA 92705
(949) 417-5207

ROBE HOOK

DWG NO.

41-12

REV

A

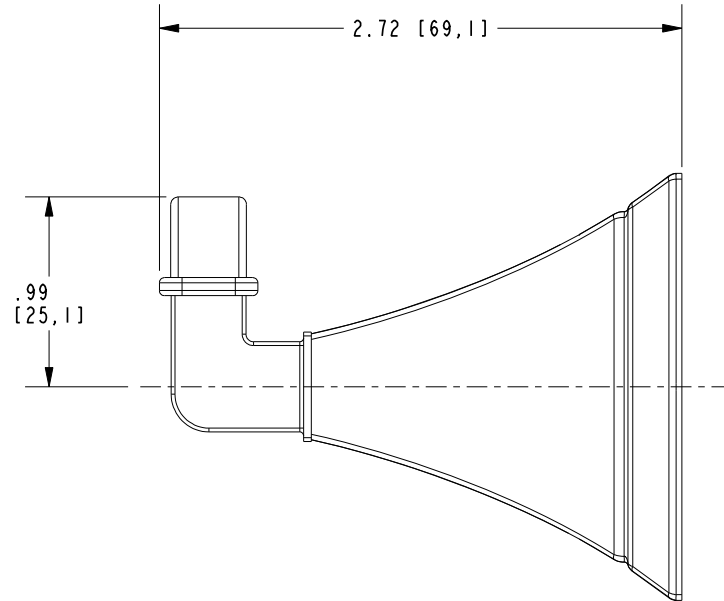
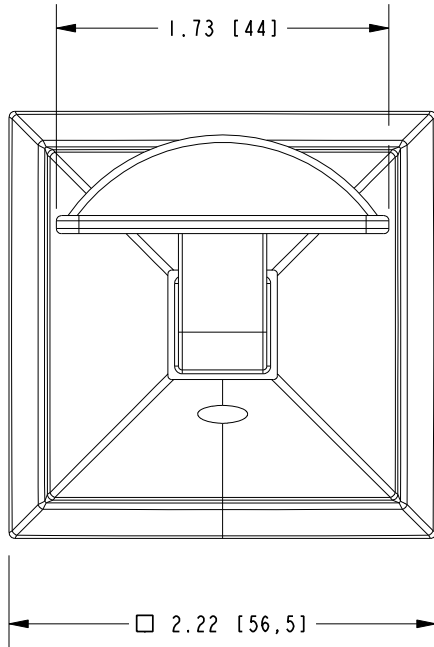
SCALE .500

REF. -

SHEET 1 OF 2

COPYRIGHT 2005 BRASSTECH, INC.
THESE DRAWINGS AND THE DESIGNS
DEPICTED HEREIN ARE THE PROPRIETARY
PROPERTY OF BRASSTECH. ANY USE
OR REPRODUCTION IS SUBJECT TO
THE EXPRESS APPROVAL OF BRASSTECH.
UNAUTHORIZED USE IS STRICTLY
PROHIBITED. ALL RIGHTS RESERVED.

-	A	EN-4300T	06/27/22	R.S.
-	-	EN-3124	10/21/19	J.M.
ZONE	REV	DESCRIPTION	DATE	APPROVED



BRASSTECH		2001 E. CARNEGIE AVE. SANTA ANA, CA 92705 (949) 417-5207	
DWG NO.	41-12	REV	A
SCALE	1.000	REF.	-
		SHEET	2 OF 2