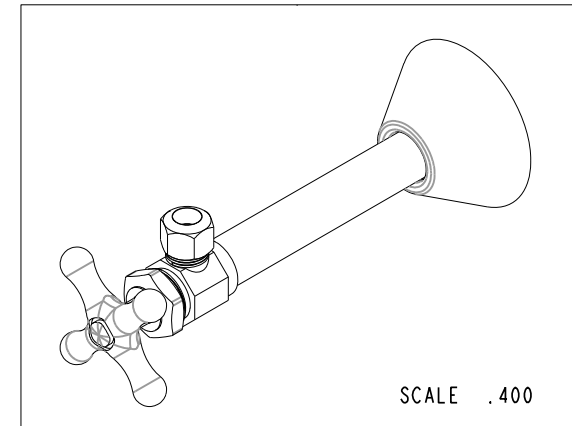
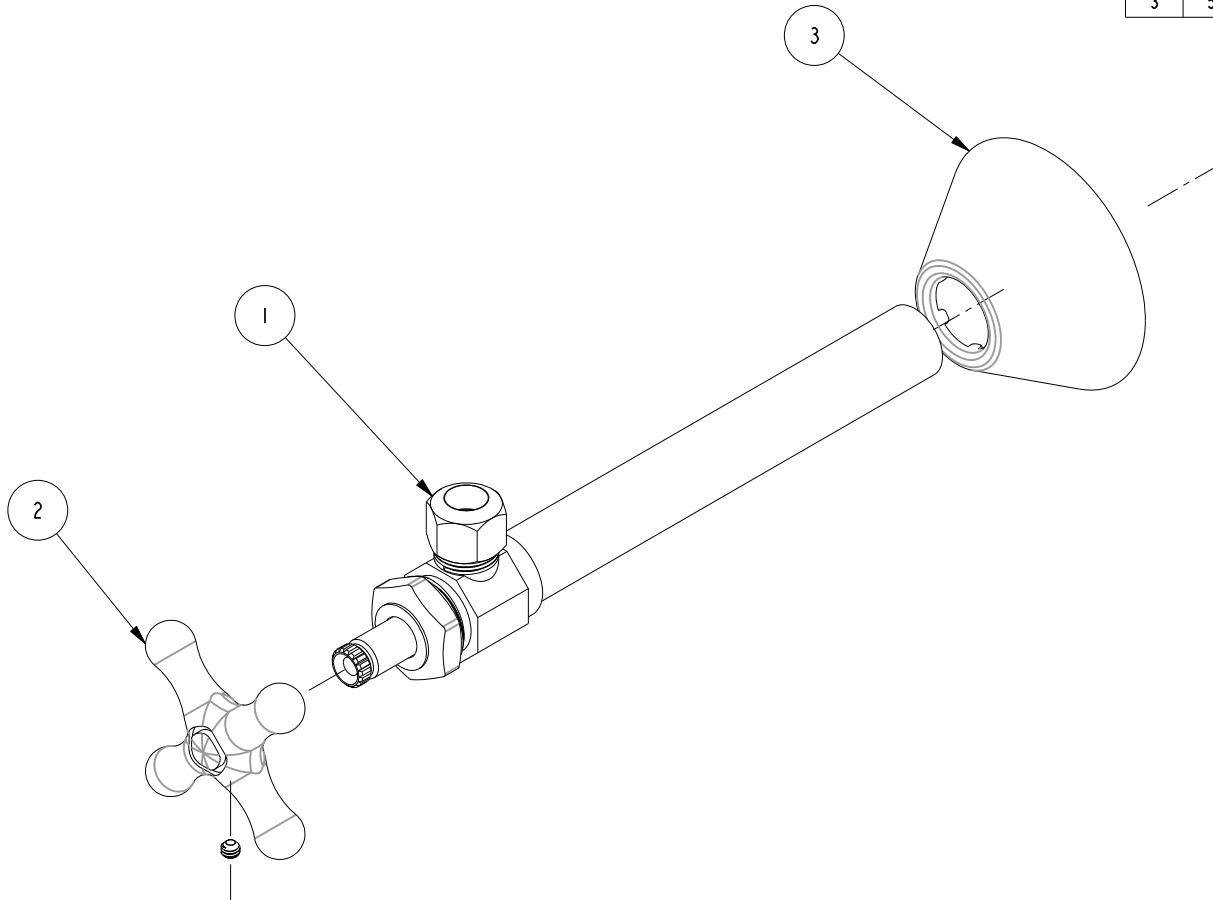


NOTES:

(NI) 1. FIT / FORM / FUNCTION SHALL FOLLOW PS-E.008.

**BILL OF MATERIAL (CURRENT LEVEL)**

ITEM	PT/ASSY	DESCRIPTION	TYPE	QTY.
1	6-416	ANGLE VALVE ASM	ASSEMBLY	1
2	525	CROSS HANDLE	ASSEMBLY	1
3	50854	BELL FLANGE	PART	1



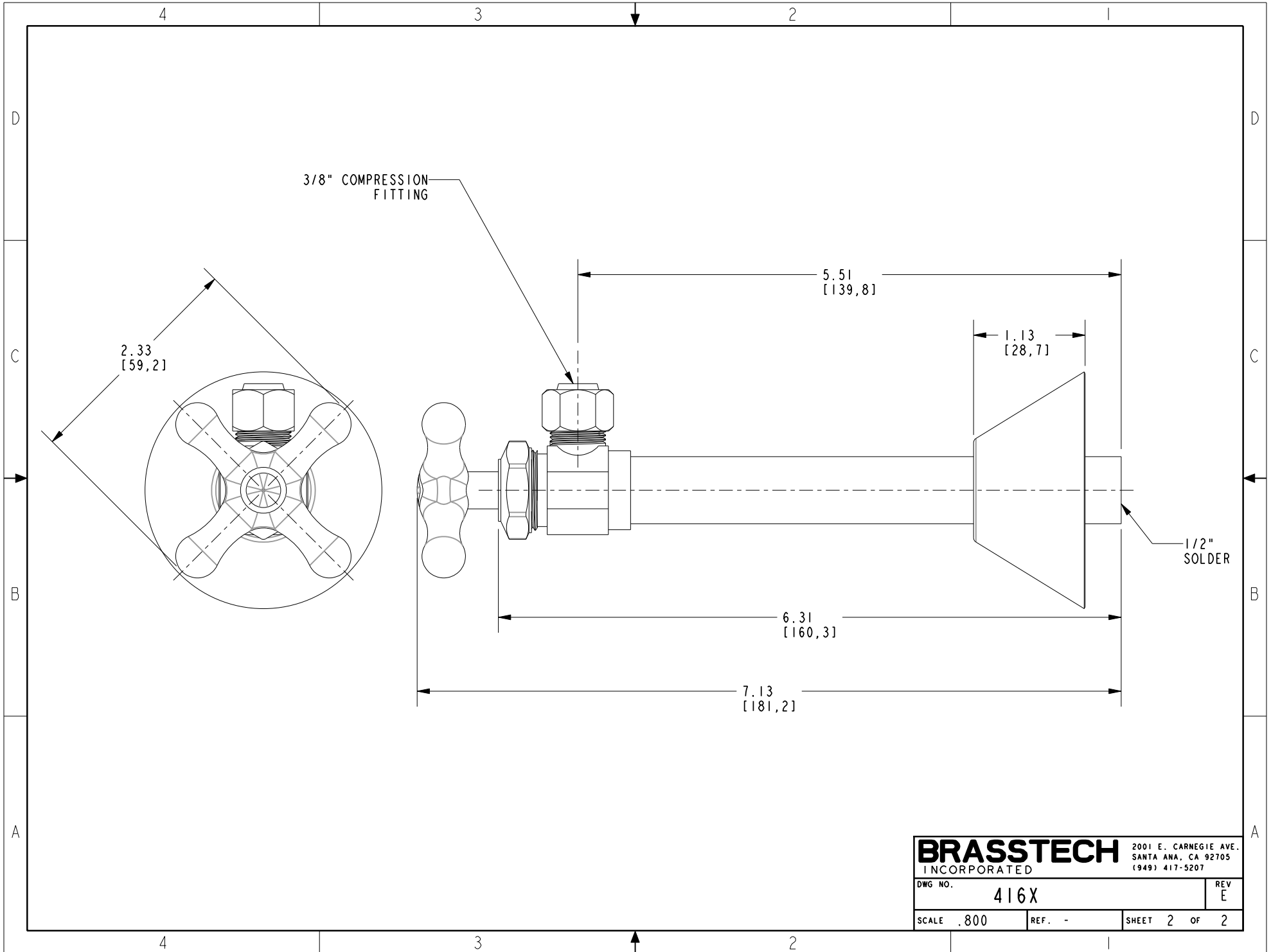
-	E	EN-430011	10/25/21	N.S.
-	D	EO-0323	02/24/04	-
-	C	EO-0289	11/18/03	-
-	B	EO-0240	08/14/03	-
ZONE	REV	DESCRIPTION	DATE	APPROVED

COPYRIGHT 2005 BRASSTECH, INC. THESE DRAWINGS AND THE DESIGNS DEPICTED HEREIN ARE THE PROPRIETARY PROPERTY OF BRASSTECH. ANY USE OR REPRODUCTION IS SUBJECT TO THE EXPRESS APPROVAL OF BRASSTECH. UNAUTHORIZED USE IS STRICTLY PROHIBITED. ALL RIGHTS RESERVED.

TESTING	-	-	-
ASSEMBLY	-	-	-
PLATING	-	-	-
POLISHING	-	NEXT ASSY	USED ON
MACHINING	-	APPLICATION	
TOOLING FIXTURE #	REMOVE ALL BURRS AND SHARP EDGES		

UNITS ARE: INCHES [MM]	
TOLERANCES ARE:	
FRACTIONS DECIMALS	ANGLES
$\pm 1/16"$	$\pm 1^\circ$
.X $\pm$ .1 [2.5]	
.XX $\pm$ .06 [1.5]	
(X.XXX) DENOTES CRITICAL DIMS. ALL THREADS ARE CRITICAL	
DRAWN	NMS 10/25/21
CHECKED	N. SANTOS 10/25/21
APPROVED	N. SANTOS 10/25/21

<b>BRASSTECH</b>		2001 CARNEGIE AVE. SANTA ANA, CA 92705 (949) 417-5207	
INCORPORATED			
ANGLE VALVE XHDL 1/2SWTX3/8CMP			
DWG NO.	416X	REV	E
SCALE	.600	REF.	-
SHEET	1	OF	2



<b>BRASSTECH</b>		2001 E. CARNEGIE AVE.
INCORPORATED		SANTA ANA, CA 92705
		(949) 417-5207
DWG NO.	416X	REV E
SCALE .800	REF. -	SHEET 2 OF 2