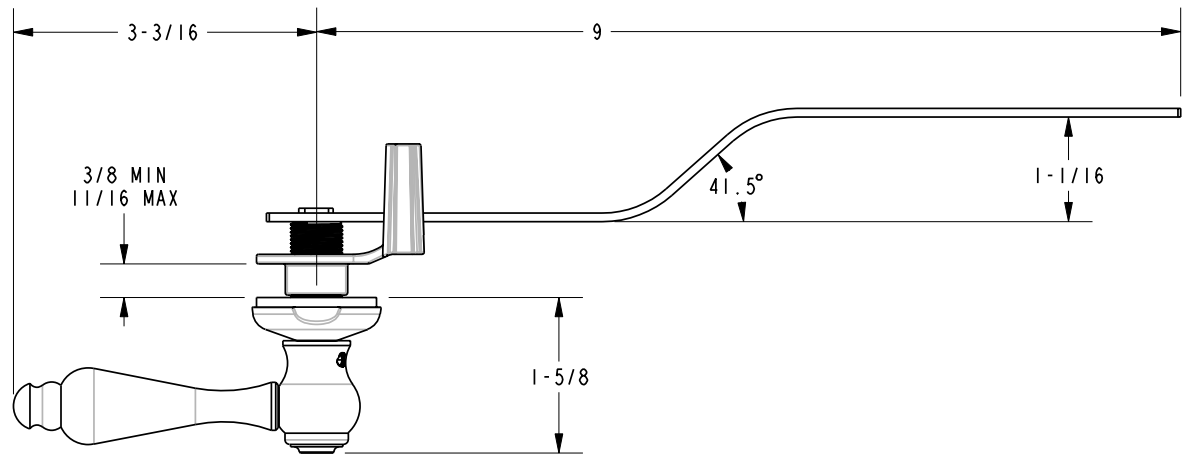
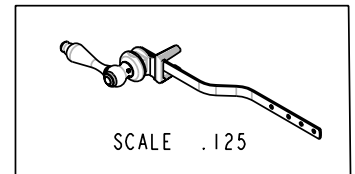
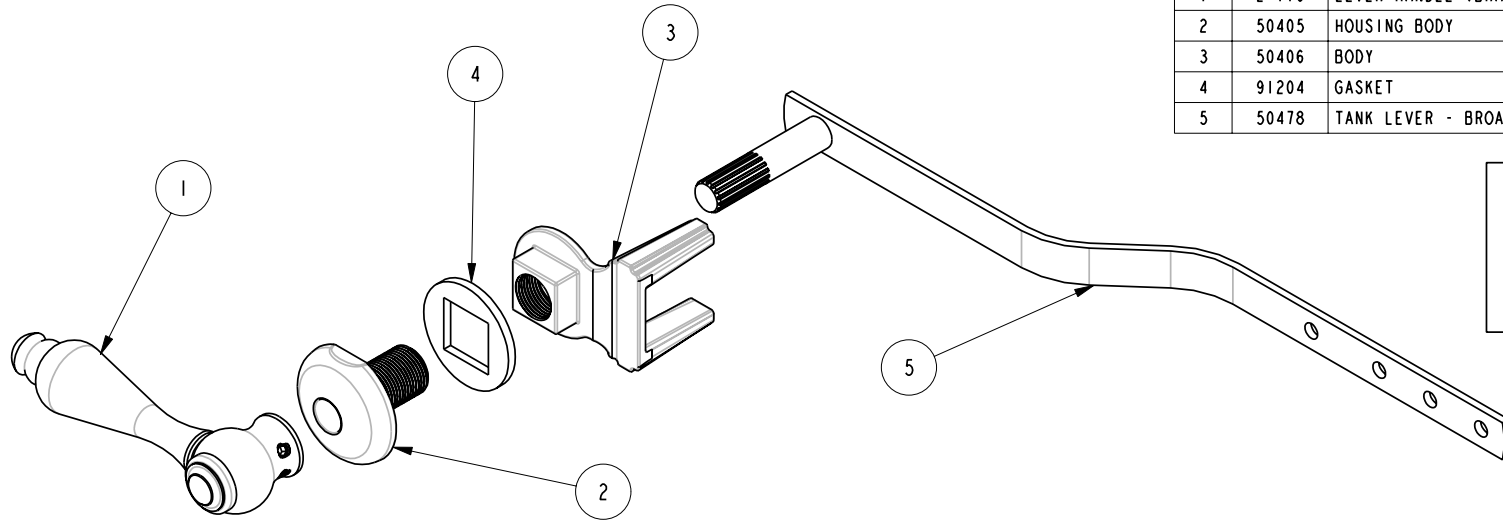


| BILL OF MATERIAL (CURRENT LEVEL) | | | | |
|----------------------------------|---------|-----------------------|----------|------|
| ITEM | PT/ASSY | DESCRIPTION | TYPE | QTY. |
| 1 | 2-116 | LEVER HANDLE (BRASS) | ASSEMBLY | 1 |
| 2 | 50405 | HOUSING BODY | PART | 1 |
| 3 | 50406 | BODY | PART | 1 |
| 4 | 91204 | GASKET | PART | 1 |
| 5 | 50478 | TANK LEVER - BROACHED | PART | 1 |



COPYRIGHT 2005 BRASSTECH, INC. THESE DRAWINGS AND THE DESIGNS DEPICTED HEREIN ARE THE PROPRIETARY PROPERTY OF BRASSTECH. ANY USE OR REPRODUCTION IS SUBJECT TO THE EXPRESS APPROVAL OF BRASSTECH. UNAUTHORIZED USE IS STRICTLY PROHIBITED. ALL RIGHTS RESERVED.

BRASSTECH
INCORPORATED
2001 E. CARNEGIE AVE.
SANTA ANA, CA 92705
(949) 417-5207

TANK LEVER ASSEMBLY

| | | | | |
|-----------|------|------|---------|-----|
| ASSY. NO. | 504 | - | - | - |
| SCALE | .500 | REF. | - | - |
| SHEET | 1 | OF | 1 | REV |
| REV | DESC | DATE | PRE '95 | |