

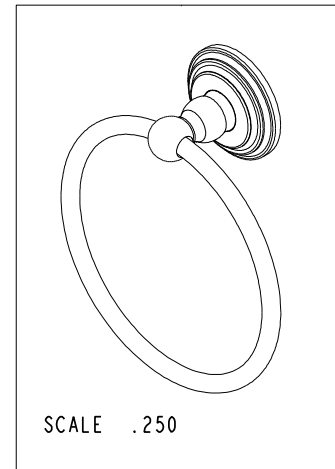
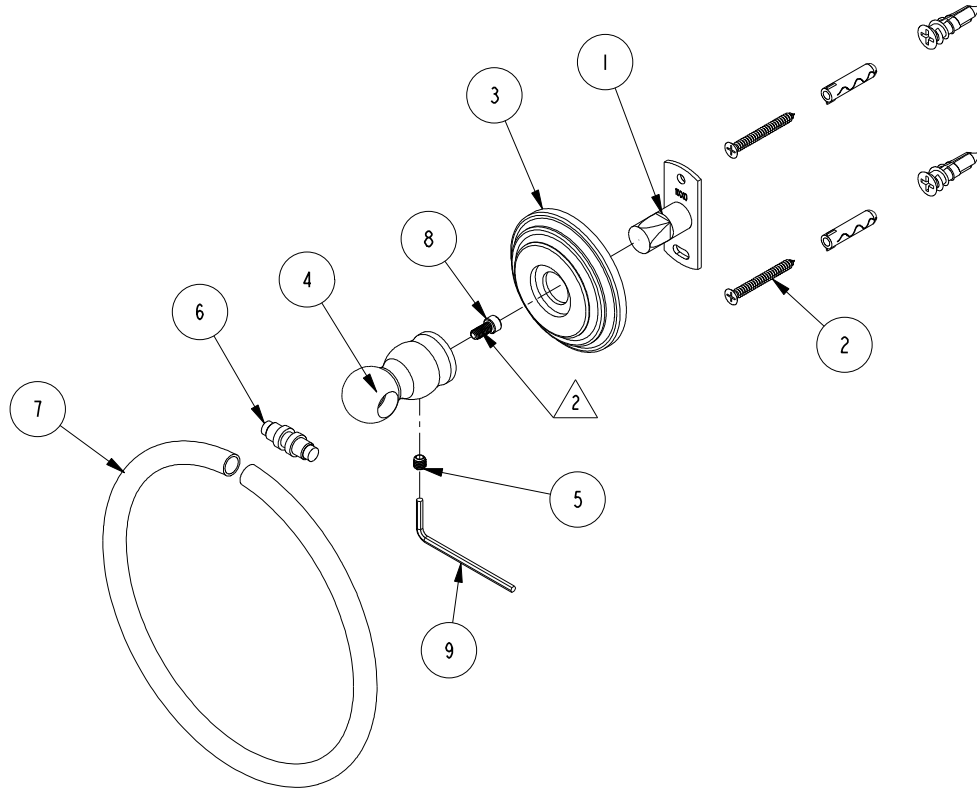
NOTES:

(N1) 1. FIT / FORM / FUNCTION SHALL FOLLOW PS-E.008.

(2) APPLY PERMANENT THREAD LOCKER (LOCTITE 680)

BILL OF MATERIAL (CURRENT LEVEL)

| ITEM | PT/ASSY | DESCRIPTION | TYPE | QTY. |
|------|---------|---|----------|------|
| 1 | 11XXD | SOLID MOUNTING BRACKET | PART | 1 |
| 2 | 1-206 | HARDWARE PACK | ASSEMBLY | 1 |
| 3 | 1100C | TOWEL SHELF ROSETTE | PART | 1 |
| 4 | 40752 | POST - TOWEL RING | PART | 1 |
| 5 | 92308 | SCRW, M5 X 5 SKT HD CUP PT W/ SELF LOC SS | PART | 1 |
| 6 | 40467 | TOWEL RING COUPLER | PART | 1 |
| 7 | 40755 | 6" TOWEL RING | PART | 1 |
| 8 | 92527 | SCRW, 8-32 X 3/8 SKT CAP HD SS | PART | 1 |
| 9 | 10888 | HEX KEY, 2.5MM ALLOY STEEL | PART | 1 |



| ZONE | REV | DESCRIPTION | DATE | APPROVED | TESTING | ASSEMBLY | PLATING | POLISHING | MACHINING | TOOLING FIXTURE # | APPLICATION |
|------|-----|-------------|----------|----------|---------|----------|---------|-----------|-----------|-------------------|----------------------------------|
| - | - | EN-3911 | 08/01/19 | J.M. | - | - | - | - | - | - | REMOVE ALL BURRS AND SHARP EDGES |

COPYRIGHT 2005 BRASSTECH, INC. THESE DRAWINGS AND THE DESIGNS DEPICTED HEREIN ARE THE PROPRIETARY PROPERTY OF BRASSTECH. ANY USE OR REPRODUCTION IS SUBJECT TO THE EXPRESS APPROVAL OF BRASSTECH. UNAUTHORIZED USE IS STRICTLY PROHIBITED. ALL RIGHTS RESERVED.

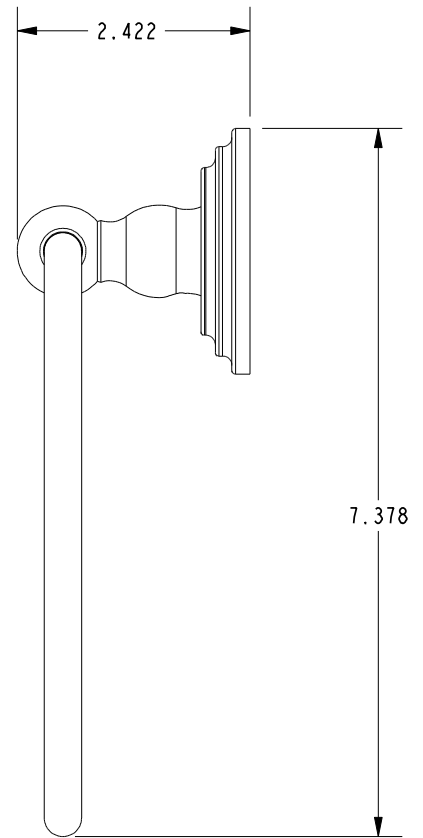
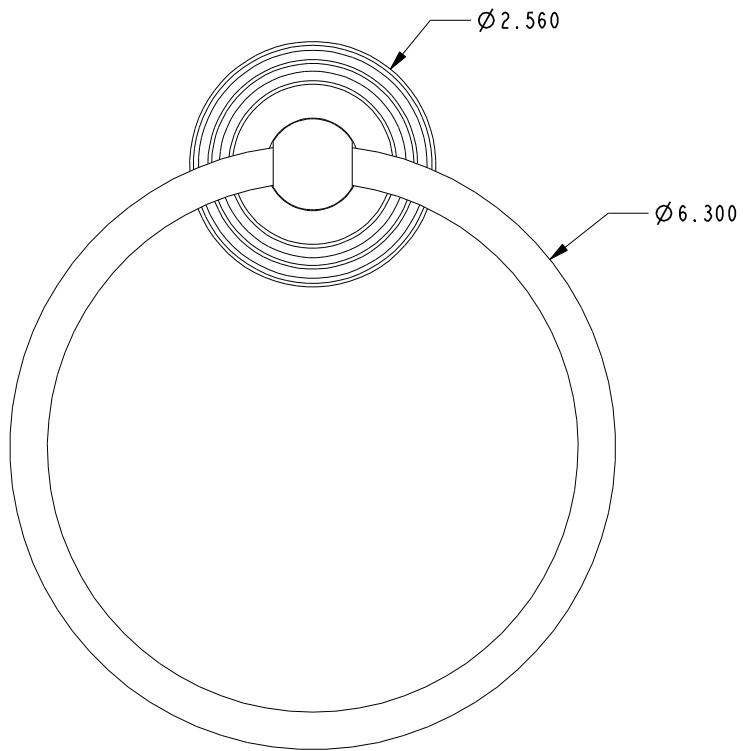
| | |
|---|--------------|
| UNITS ARE: INCHES [MM] | |
| TOLERANCES ARE: | |
| FRACTIONS DECIMALS | ANGLES |
| ±1/16" | ±1° |
| .X ±.1 [2.5] | |
| .XX ±.06 [1.5] | |
| (X.XXX) DENOTES CRITICAL DIMS. ALL THREADS ARE CRITICAL | |
| DRAWN | R.S. 7/26/19 |
| CHECKED | J.M. 7/26/19 |
| APPROVED | J.M. 7/26/19 |

BRASSTECH 2001 CARNEGIE AVE. SANTA ANA, CA 92705 (949) 417-5207
INCORPORATED

TOWEL RING

DWG NO. **890-1410** REV -

SCALE .312 REF. - SHEET 1 OF 2



| | | | |
|------------------|----------|--|--------|
| BRASSTECH | | 2001 E. CARNEGIE AVE. SANTA ANA, CA 92705 (949) 417-5207 | |
| DWG NO. | 890-1410 | REV | - |
| SCALE | .500 | REF. | - |
| | | SHEET | 2 OF 2 |