

4

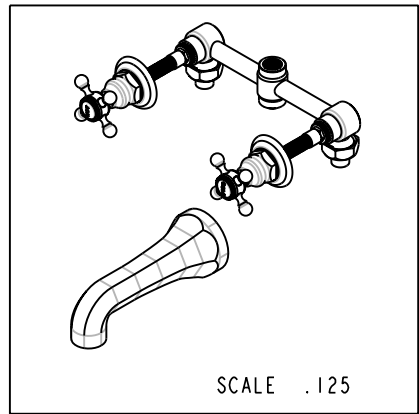
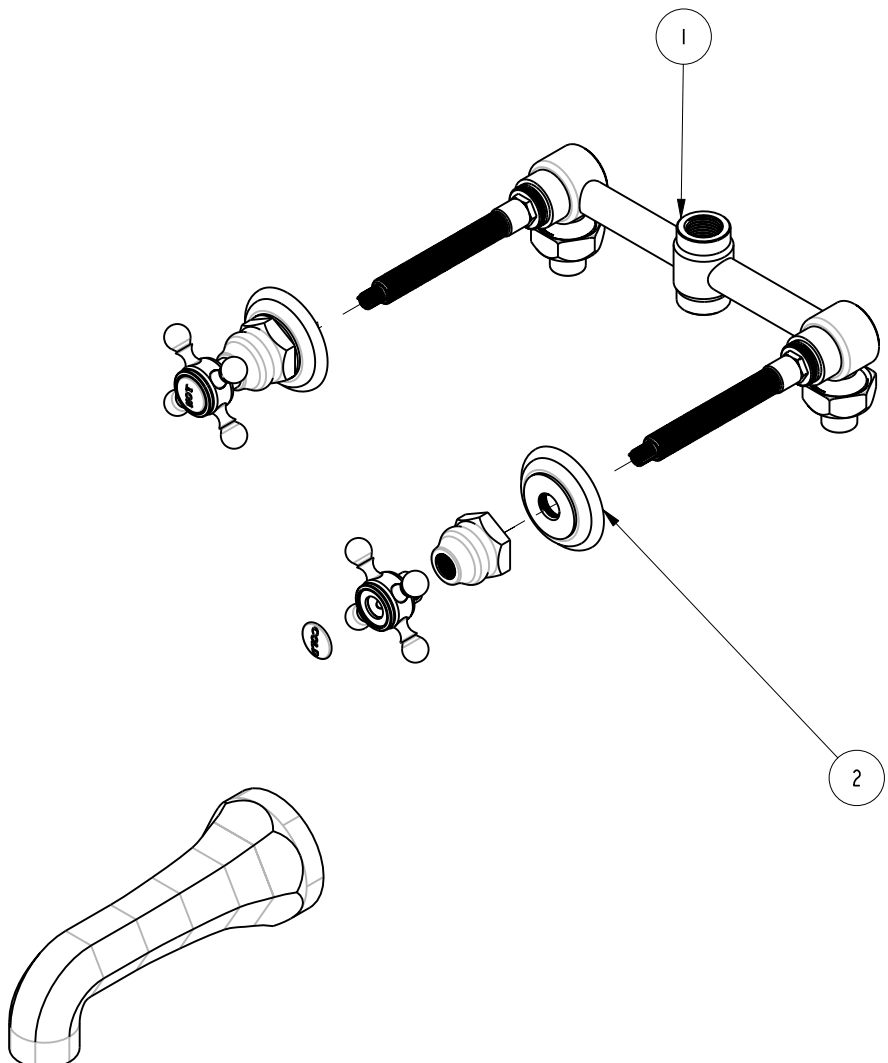
3

2

1

BILL OF MATERIAL (CURRENT LEVEL)

ITEM	PT/ASSY	DESCRIPTION	TYPE	QTY.
1	1-500	T/S 2 - VALVE ROUGH	ASSEMBLY	1
2	3-925	3-925 TRIM KIT HANDLE / ESC	ASSEMBLY	1



D

D

C

C

B

B

A

A

COPYRIGHT 2005 BRASSTECH, INC. THESE DRAWINGS AND THE DESIGNS DEPICTED HEREIN ARE THE PROPRIETARY PROPERTY OF BRASSTECH. ANY USE OR REPRODUCTION IS SUBJECT TO THE EXPRESS APPROVAL OF BRASSTECH. UNAUTHORIZED USE IS STRICTLY PROHIBITED. ALL RIGHTS RESERVED.

BRASSTECH
 INCORPORATED
 2001 E. CARNEGIE AVE.
 SANTA ANA, CA 92705
 (949) 417-5207

TUB SET

ASSY. NO.	925		
SCALE .250	REF. -	SHEET 1 OF 3	REV
A	NEW VALVE	5/98	
-	RELEASED	PRE '95	
REV	REV DESC	DATE	

4

3

2

1

4

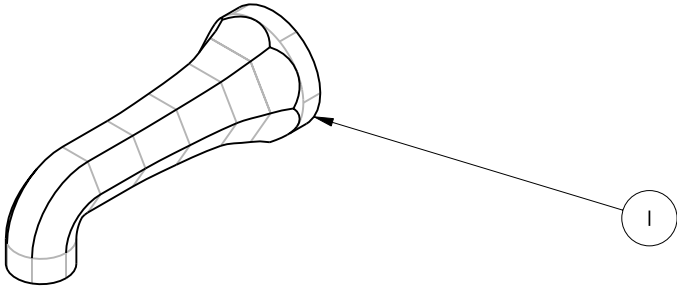
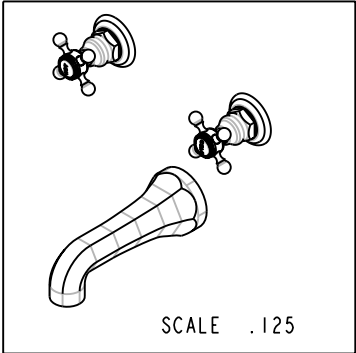
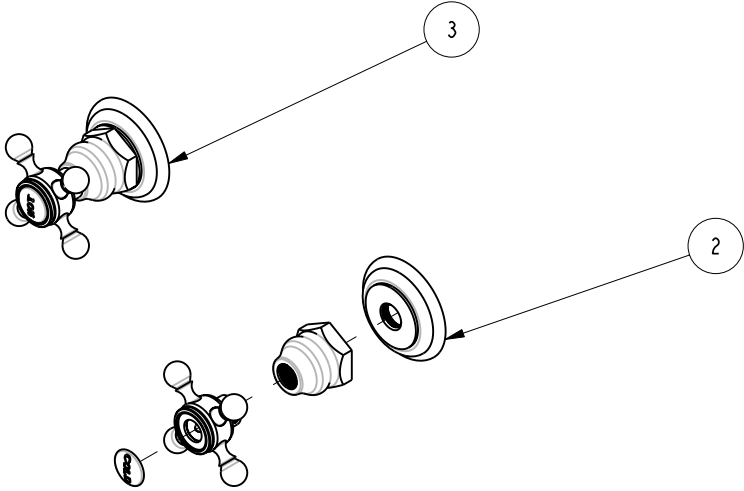
3

2

1

BILL OF MATERIAL (CURRENT LEVEL)

ITEM	PT/ASSY	DESCRIPTION	TYPE	QTY.
1	2-144	WALL TUB SPOUT - HEX	ASSEMBLY	1
2	3-163C	TRIM KIT - HANDLE/ESCUTCHEON	ASSEMBLY	1
3	3-163H	TRIM KIT - HANDLE/ESCUTCHEON	ASSEMBLY	1



COPYRIGHT 2005 BRASSTECH, INC. THESE DRAWINGS AND THE DESIGNS DEPICTED HEREIN ARE THE PROPRIETARY PROPERTY OF BRASSTECH. ANY USE OR REPRODUCTION IS SUBJECT TO THE EXPRESS APPROVAL OF BRASSTECH. UNAUTHORIZED USE IS STRICTLY PROHIBITED. ALL RIGHTS RESERVED.

BRASSTECH
 INCORPORATED
 2001 E. CARNEGIE AVE.
 SANTA ANA, CA 92705
 (949) 417-5207

3-925 TRIM KIT HANDLE / ESC

ASSY. NO.	925		
SCALE .250	REF. -	SHEET 2 OF 3	REV
A	NEW VALVE	5/98	
-	RELEASED	PRE '95	
REV	REV DESC	DATE	

4

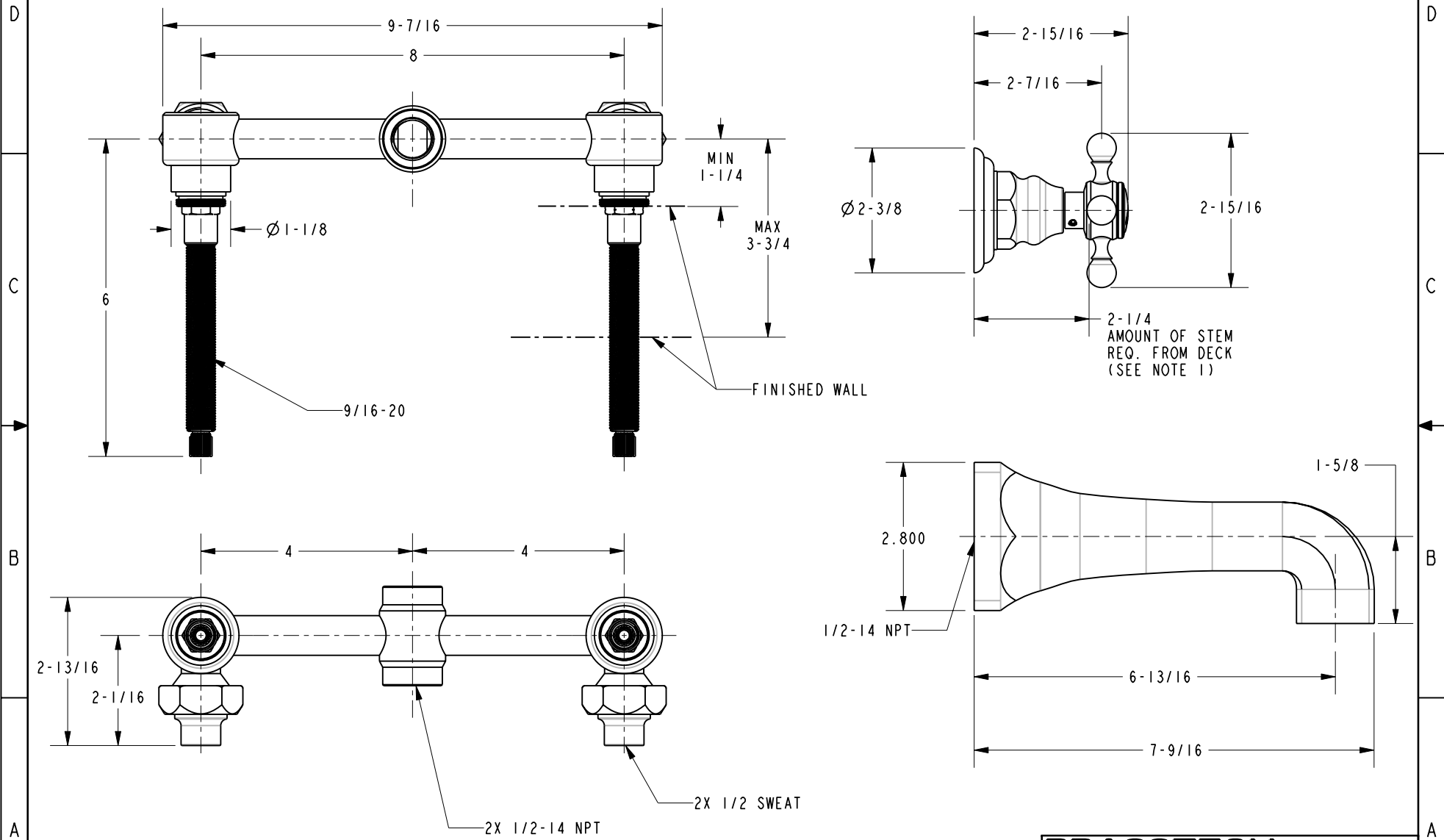
3

2

1

SPECIFICATION DWG

NOTES:
1. CUT ALL-THREAD 1/2" SHORTER THAN STEM



DIMENSIONS ARE IN INCHES AND AN APPROXIMATION OF A TYPICAL INSTALLATION

COPYRIGHT 2005 BRASSTECH, INC. THESE DRAWINGS AND THE DESIGNS DEPICTED HEREIN ARE THE PROPRIETARY PROPERTY OF BRASSTECH. ANY USE OR REPRODUCTION IS SUBJECT TO THE EXPRESS APPROVAL OF BRASSTECH. UNAUTHORIZED USE IS STRICTLY PROHIBITED. ALL RIGHTS RESERVED.

BRASSTECH		2001 E. CARNEGIE AVE.	
INCORPORATED		SANTA ANA, CA 92705	
DWG NO. 925		REV A	
SCALE .375	REF. -	SHEET 3 OF 3	