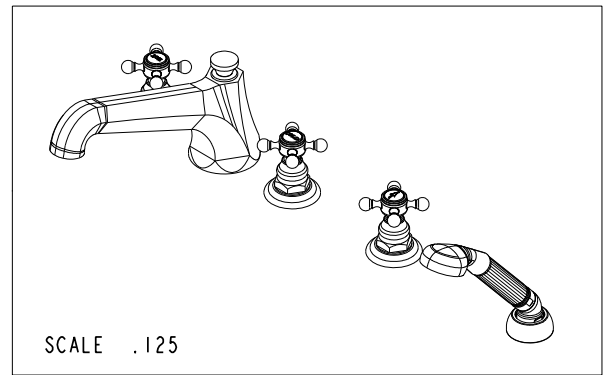


**BILL OF MATERIAL (CURRENT LEVEL)**

ITEM	PT/ASSY	DESCRIPTION	TYPE	QTY.
1	12171	ESCUTCHEON, ROMAN TUB	PART	2
2	10050	ESCUTCHEON WALL VALVE	PART	1
3	91231	O-RING, #2-136, EPDM, 65-75 DURO	PART	3
4	10523	HEX ESCUTCHEON BONNET	PART	3
5	2-141	HANDLE ONLY, HOT	ASSEMBLY	1
6	2-142	HANDLE ONLY, COLD	ASSEMBLY	1
7	2-143	HANDLE ONLY, DIV.	ASSEMBLY	1
8	2-162	R/T SPOUT ASM	ASSEMBLY	1
9	6-289	DECK FLANGE TRIM	ASSEMBLY	1
10	280	HAND SHOWER WITH GROOVE	ASSEMBLY	1
11	284	59 IN. SPIRAL SHOWER HOSE	ASSEMBLY	1



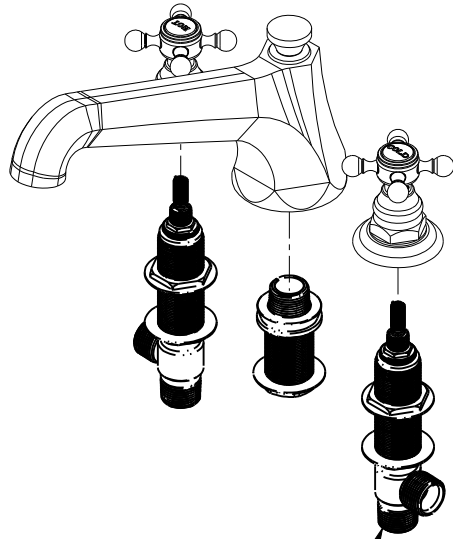
COPYRIGHT 2005 BRASSTECH, INC. THESE DRAWINGS AND THE DESIGNS DEPICTED HEREIN ARE THE PROPRIETARY PROPERTY OF BRASSTECH. ANY USE OR REPRODUCTION IS SUBJECT TO THE EXPRESS APPROVAL OF BRASSTECH. UNAUTHORIZED USE IS STRICTLY PROHIBITED. ALL RIGHTS RESERVED.

**BRASSTECH**  
INCORPORATED  
2001 E. CARNEGIE AVE.  
SANTA ANA, CA 92705  
(949) 417-5207

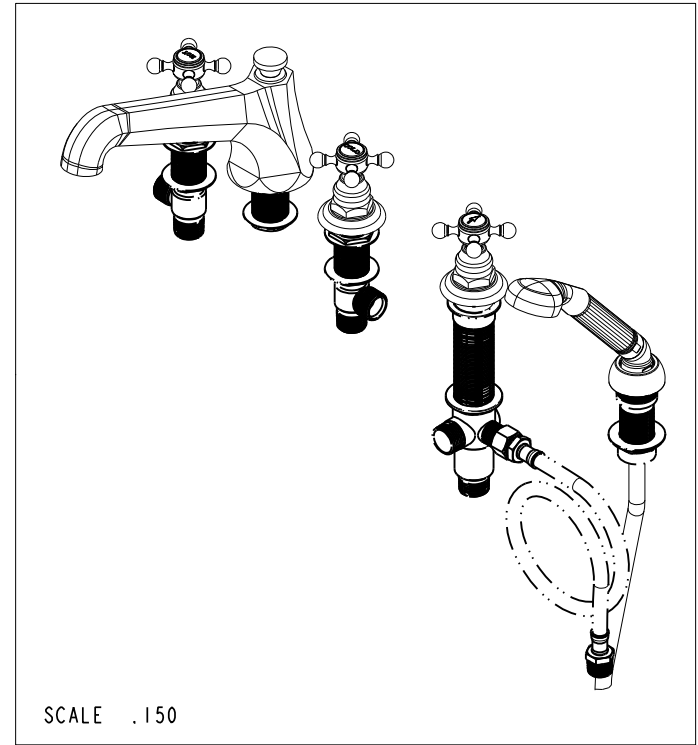
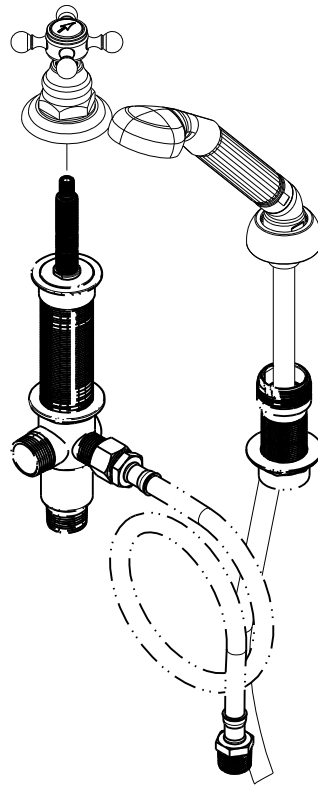
TRIM KIT, 3V ROMAN TUB SET

ASSY. NO.	3-927			A	EN-2519	04/25/13
SCALE	.250	REF.	-	-	EN-2169	09/05/12
SHEET	1	OF	3	REV	REV DESC	DATE

SPECIFICATION DWG



PN: 1-503 SOLD SEPARATELY



DIMENSIONS ARE IN INCHES AND AN APPROXIMATION OF A TYPICAL INSTALLATION

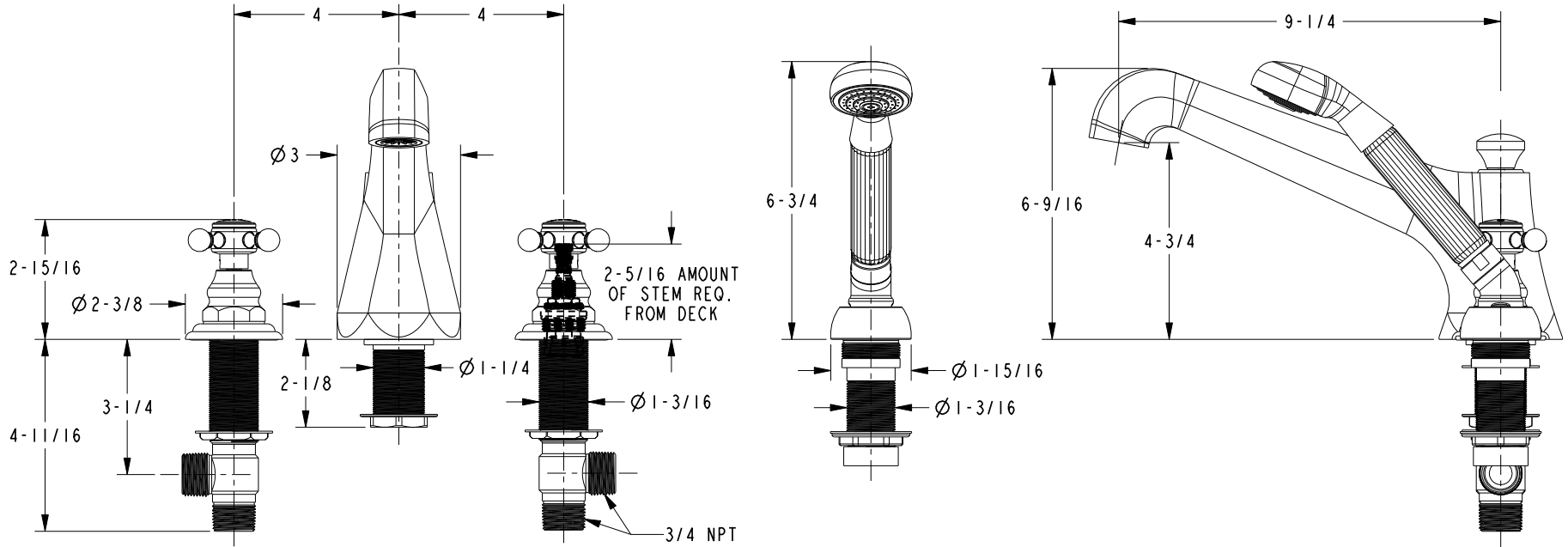
COPYRIGHT 2005 BRASSTECH, INC. THESE DRAWINGS AND THE DESIGNS DEPICTED HEREIN ARE THE PROPRIETARY PROPERTY OF BRASSTECH. ANY USE OR REPRODUCTION IS SUBJECT TO THE EXPRESS APPROVAL OF BRASSTECH. UNAUTHORIZED USE IS STRICTLY PROHIBITED. ALL RIGHTS RESERVED.

<b>BRASSTECH</b>		2001 CARNEGIE AVE. SANTA ANA, CA 92705 (949) 417-5207	
DWG NO.	3-927	REV	B
SCALE	.200	REF.	-
SHEET		2	OF 3

4 3 2 1

↓

**SPECIFICATION DWG**



DIMENSIONS ARE IN INCHES AND AN APPROXIMATION OF A TYPICAL INSTALLATION

COPYRIGHT 2005 BRASSTECH, INC. THESE DRAWINGS AND THE DESIGNS DEPICTED HEREIN ARE THE PROPRIETARY PROPERTY OF BRASSTECH. ANY USE OR REPRODUCTION IS SUBJECT TO THE EXPRESS APPROVAL OF BRASSTECH. UNAUTHORIZED USE IS STRICTLY PROHIBITED. ALL RIGHTS RESERVED.

<b>BRASSTECH</b>		2001 CARNEGIE AVE. SANTA ANA, CA 92705 (949) 417-5207
DWG NO.	3-927	REV B
SCALE .250	REF. -	SHEET 3 OF 3

4

3

2

1