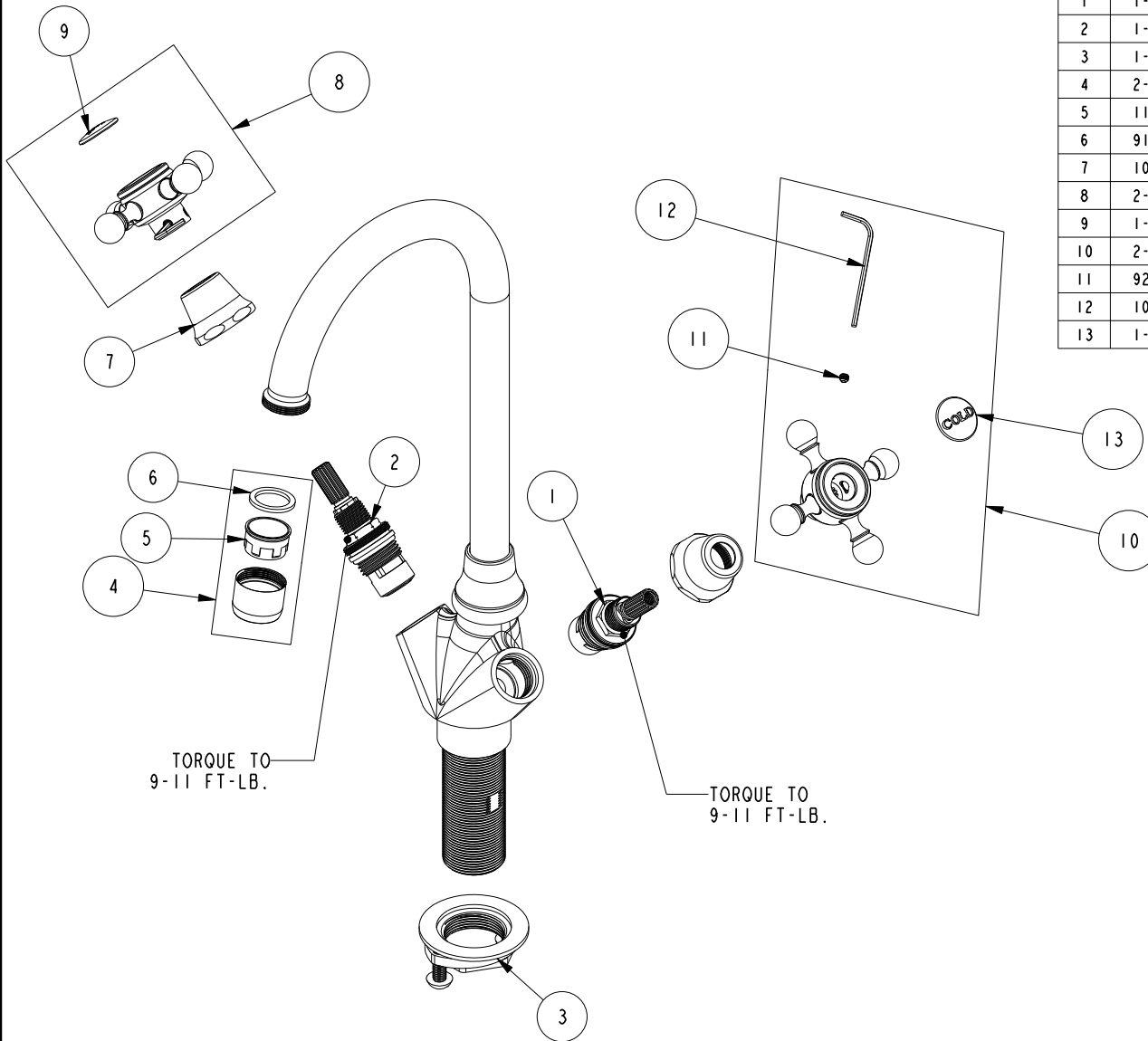


REPLACEMENT PARTS

ITEM	PT/ASSY	SPECIFY FINISH	DESCRIPTION
1	1-002		W/S CARTRIDGE - HOT
2	1-001		W/S CARTRIDGE - COLD
3	1-393		1-1/8 18 UNEF MOUNTING KIT
4	2-634	YES	AERATOR ASM - BAR SPOUT
5	11528		AERATOR STD INSERT
6	91040		WSHR, .590 ID X .825 OD X .072 THK, FLT, RUBBER NSF 61
7	10331	YES	BONNET FOR 933, 934
8	2-141	YES	HANDLE ONLY, HOT
9	1-108		HOT BUTTON ASSEMBLY W/ ADHESIVE
10	2-142	YES	HANDLE ONLY, COLD
11	92000		SCREW 8 - 32 X 1/8 SS
12	10192		HEX KEY TOOL, #8 5/64
13	1-107		COLD BUTTON ASSEMBLY W/ ADHESIVE



BAR FAUCET ASM
928

REV H EN-4741 11/29/23 APPROVED RS

NEWPORT BRASS.

t: 949.417.5207 | www.newportbrass.com