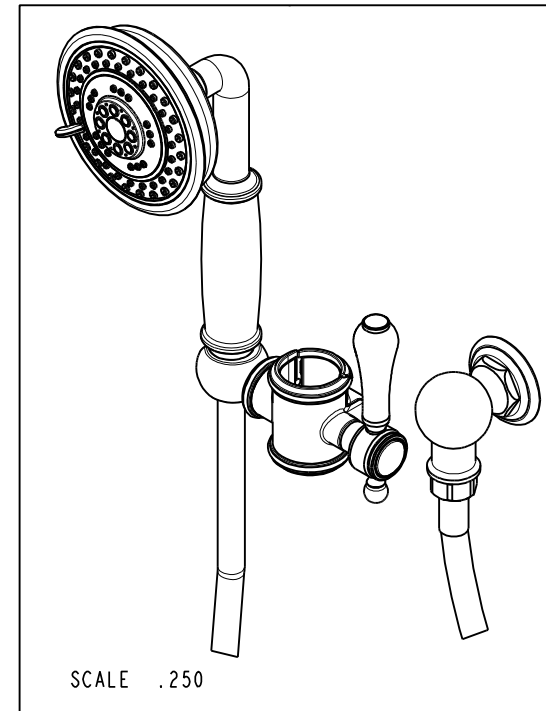
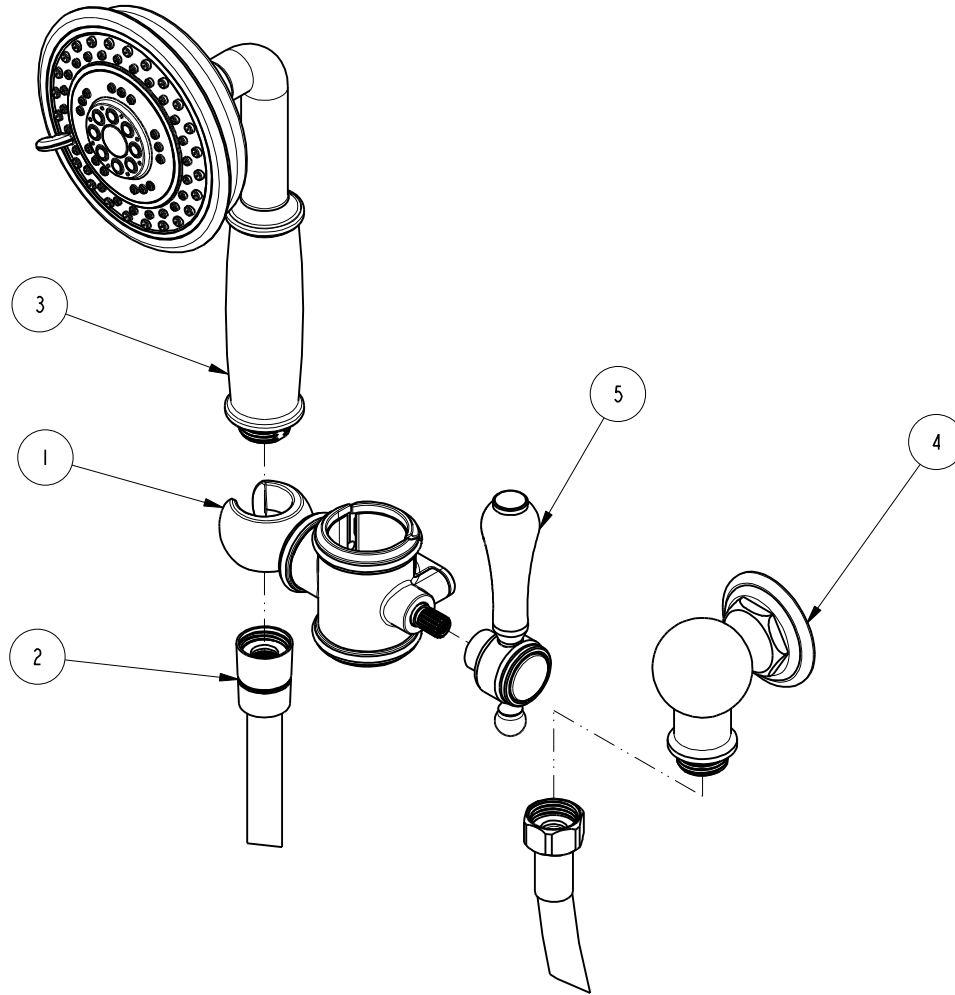


NOTES:

1. TO INSPECT ASSEMBLY, FOLLOW FIRST ARTICLE AND IN PROCESS INSPECTION SHEET.

BILL OF MATERIAL (CURRENT LEVEL)

ITEM	PT/ASSY	DESCRIPTION	TYPE	QTY.
1	20-411	SLIDE BAR HOLDER ASM - TRAD	ASSEMBLY	1
2	284	59 IN. SPIRAL SHOWER HOSE	ASSEMBLY	1
3	281-1	HAND SHOWER - TRADITIONAL	ASSEMBLY	1
4	285-1	SUPPLY ELBOW ASM - TRAD	ASSEMBLY	1
5	2-136	HANDLE ASSEMBLY - BLANK	ASSEMBLY	1



ZONE	REV	DESCRIPTION	DATE	APPROVED
-	A	EN-4300k	11/17/20	R.S.
-	-	EN-3568	11/05/18	J.M.

COPYRIGHT 2005 BRASSTECH, INC. THESE DRAWINGS AND THE DESIGNS DEPICTED HEREIN ARE THE PROPRIETARY PROPERTY OF BRASSTECH. ANY USE OR REPRODUCTION IS SUBJECT TO THE EXPRESS APPROVAL OF BRASSTECH. UNAUTHORIZED USE IS STRICTLY PROHIBITED. ALL RIGHTS RESERVED.

TESTING	ASSEMBLY	PLATING	POLISHING	MACHINING	TOOLING FIXTURE #	APPLICATION
-	-	-	-	-	-	REMOVE ALL BURRS AND SHARP EDGES

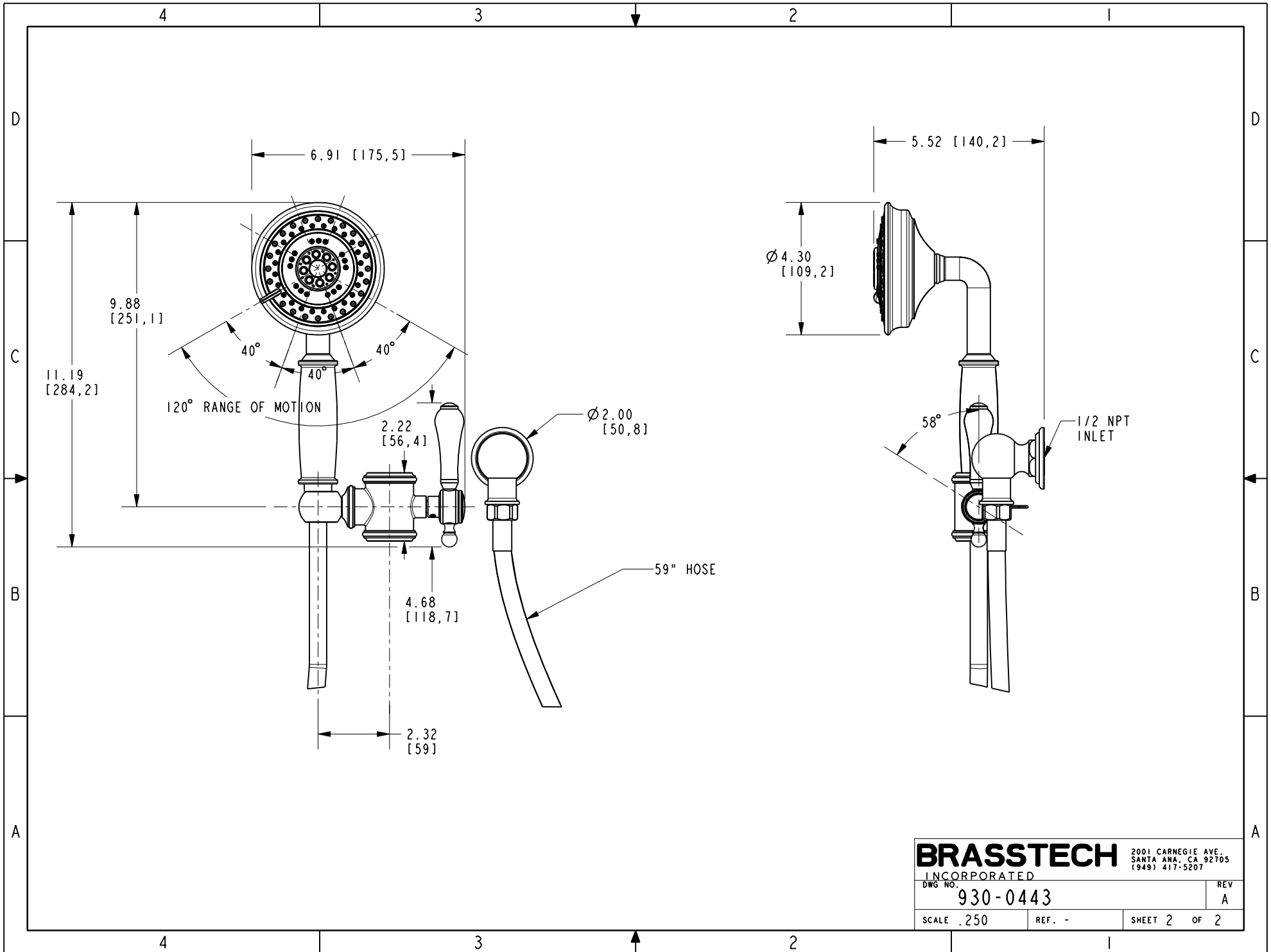
UNITS ARE: INCHES [MM]		
TOLERANCES ARE:		
FRACTIONS DECIMALS	ANGLES	
±1/16"	±1°	
.X ±.1 [2.5]		
.XX ±.06 [1.5]		
(X.XXX) DENOTES CRITICAL DIMS.		
ALL THREADS ARE CRITICAL		
DRAWN	JINSON	11/17/20
CHECKED	R.S.	11/17/20
APPROVED	R.S.	11/17/20

BRASSTECH 2001 CARNEGIE AVE.
INCORPORATED SANTA ANA, CA 92705
(949) 417-5207

TRAD - GRAB BAR MOUNT
HAND SHOWER HOLDER

DWG NO. 930-0443 REV A

SCALE .325 REF. - SHEET 1 OF 2



BRASSTECH		2001 CARNEGIE AVE. SANTA ANA, CA 92705 (949) 417-5207	
INCORPORATED			
DWG NO.	930-0443	REV	A
SCALE .250	REF. -	SHEET 2	OF 2