

4

3

2

1

BILL OF MATERIAL (CURRENT LEVEL)

ITEM	PT/ASSY	DESCRIPTION	TYPE	QTY.
1	3-936	TRIM KIT - R/T SET	ASSEMBLY	1
2	1-502	ROMAN TUB 2 - VALVE ROUGH	ASSEMBLY	1

D

D

C

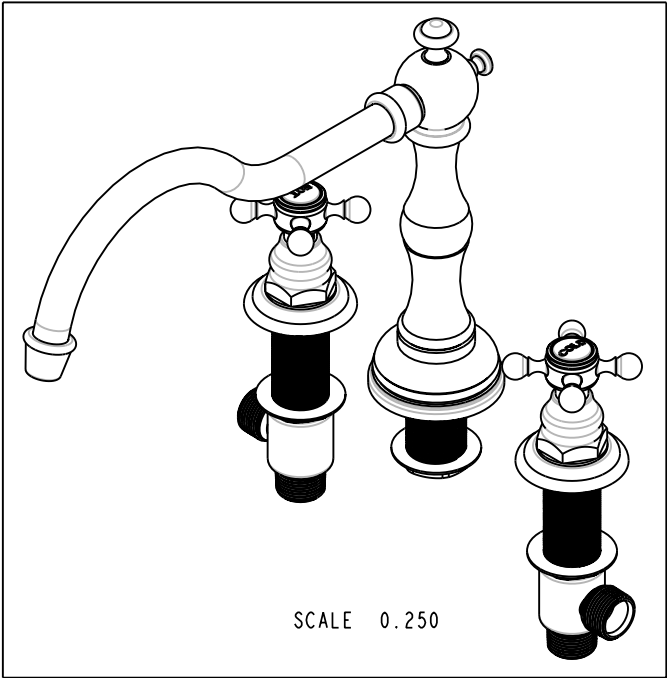
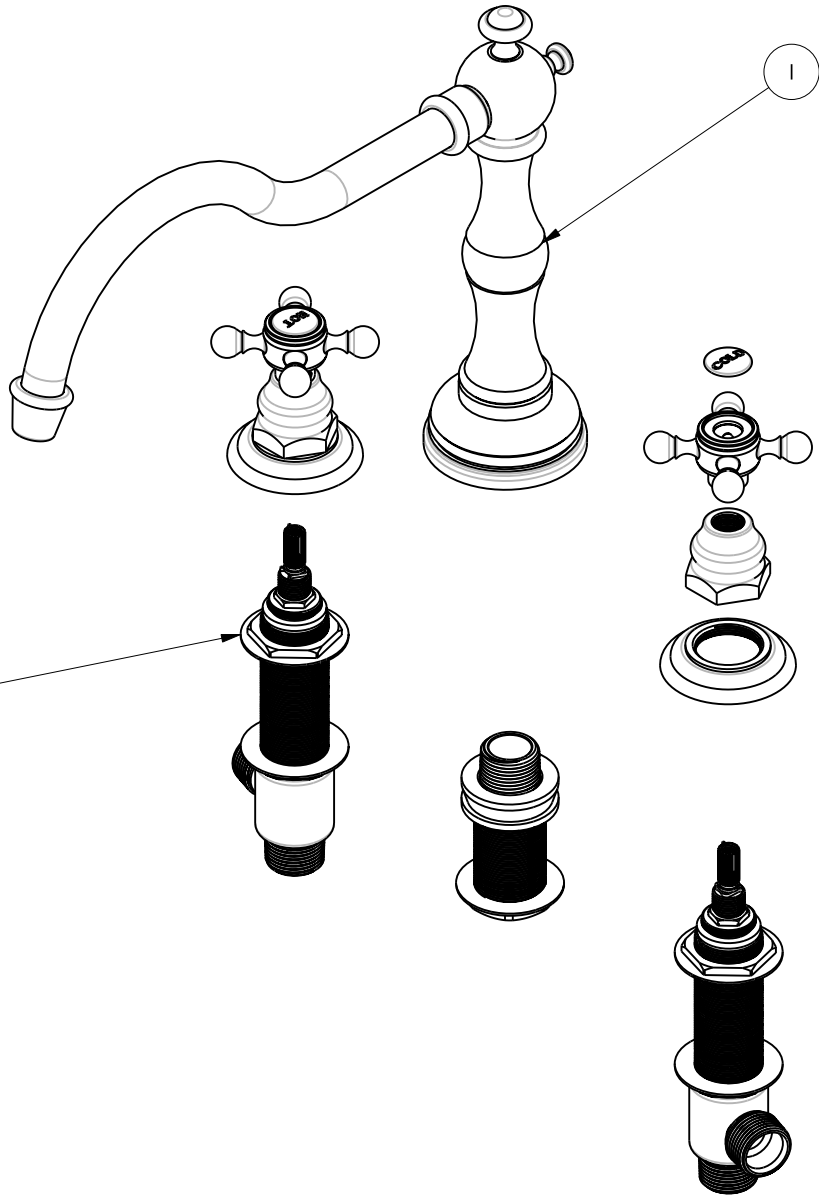
C

B

B

A

A



SCALE 0.250

COPYRIGHT 2005 BRASSTECH, INC. THESE DRAWINGS AND THE DESIGNS DEPICTED HEREIN ARE THE PROPRIETARY PROPERTY OF BRASSTECH. ANY USE OR REPRODUCTION IS SUBJECT TO THE EXPRESS APPROVAL OF BRASSTECH. UNAUTHORIZED USE IS STRICTLY PROHIBITED. ALL RIGHTS RESERVED.

BRASSTECH
 INCORPORATED
 2001 E. CARNEGIE AVE.
 SANTA ANA, CA 92705
 (949) 417-5207

ROMAN TUB BAR SPOUT DECK

ASSY. NO.	936			RELEASED	PRE '95
SCALE 0.300	REF. -	SHEET 1 OF 2	REV	REV DESC	DATE

4

3

2

1

SPECIFICATION DWG

