

NEWPORT BRASS®

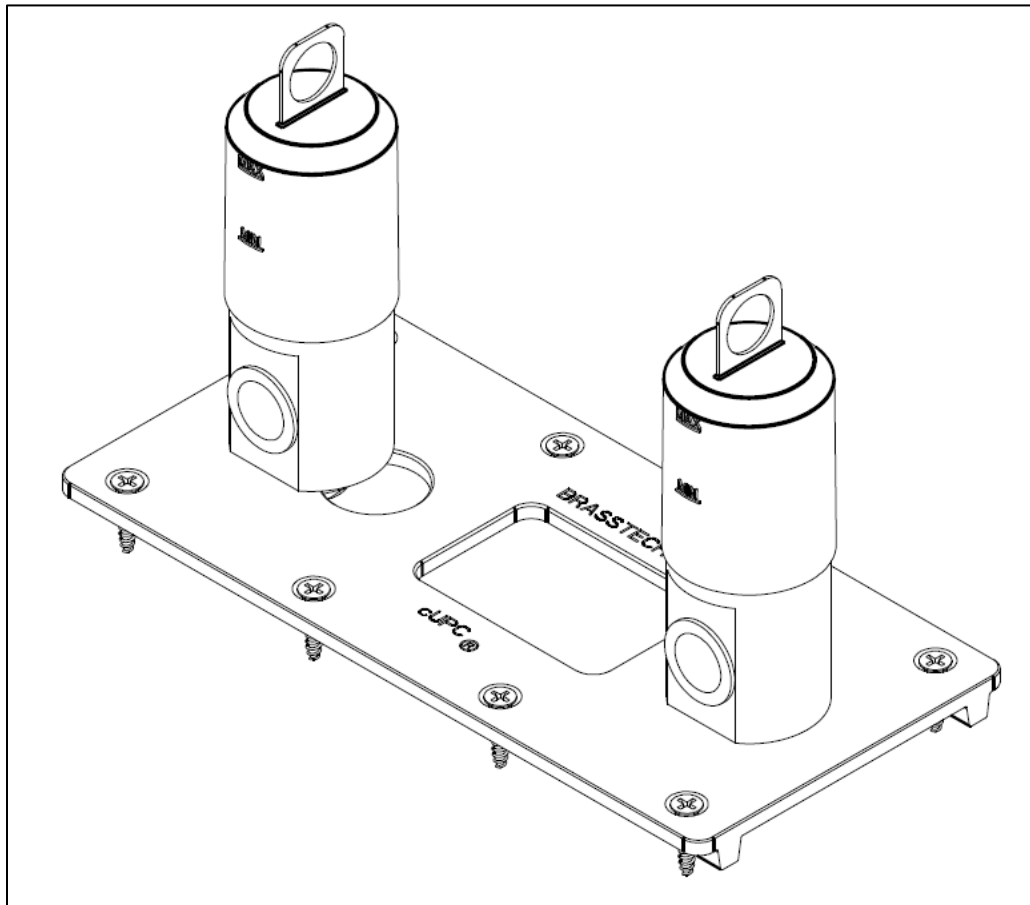
Flawless Beauty. From Faucet to Finish.™

Installation Instructions

Rough-In Kit for Exposed Tub Sets

Valve Body No. 1-469

For use with: 1400-4262, 1400-4263, 1500-4262, 1500-4263



Congratulations on the purchase of this Newport Brass product, an excellent choice, that will give you years of quality service and enhance the look and style of your home.

Recommended Installation by a Professional Plumbing Contractor

Important Notes (please read before installing)

- Recommended water pressure: 45 to 80 psi
- Product is designed to allow for installation in accordance with all national and local plumbing and building codes.
- During floor mounting of this product, extra care should be taken while drilling into the floor to avoid damaging any water supply lines that may exist beneath the floor.
- **NOTE:** Use plumbers tape or equivalent to seal all threaded joints.
- **WARNING:** To prevent severe damage to valve body, any solder/braze process must be performed a min. of 4" from ports.

Rough for Floor Mount Kit Exposed Tub Sets

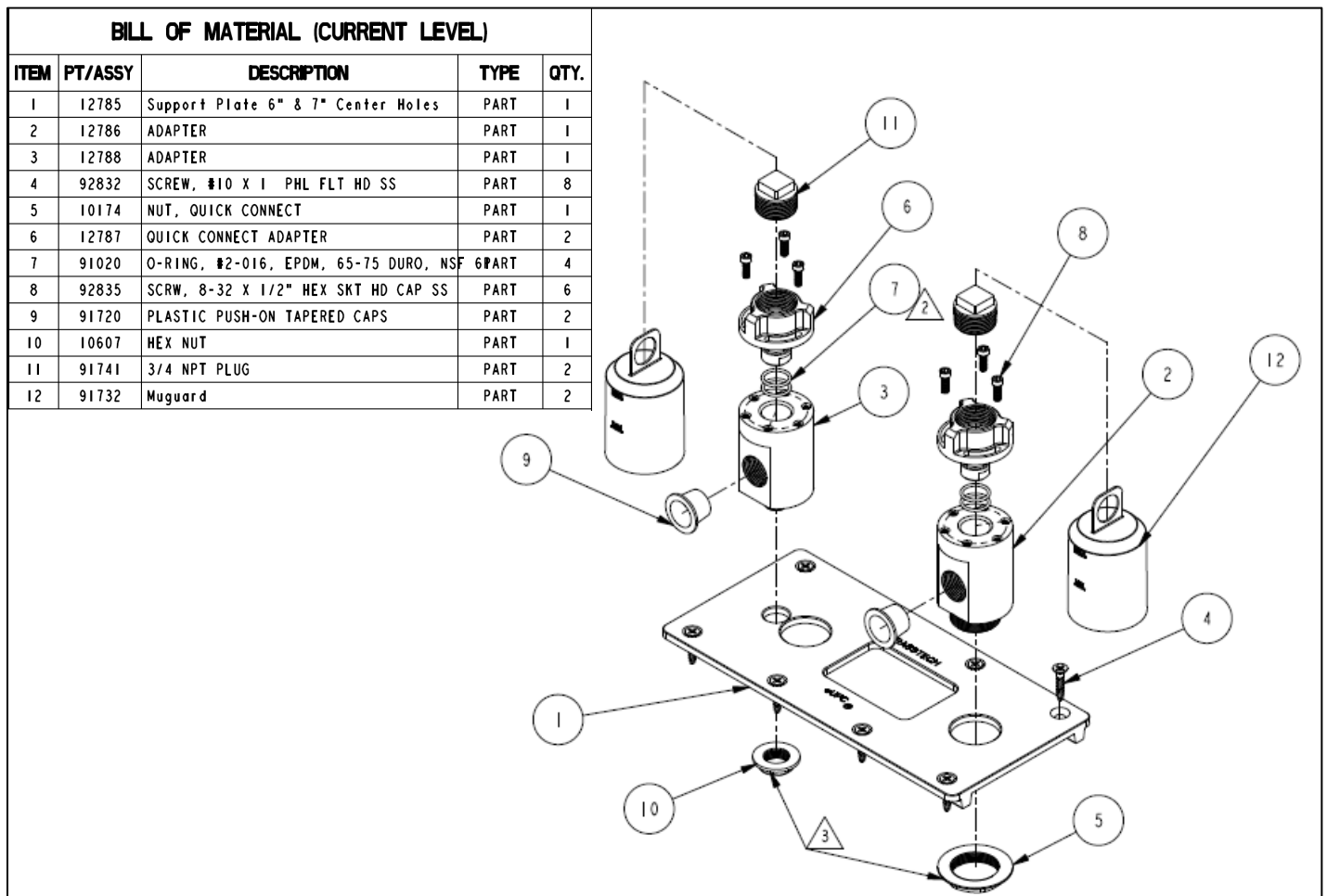


Figure 1: Product Exploded View

Installation Instruction for Wood Joist Support Floor

1. Use a 2" X 8" wood beam to construct a CROSS SUPPORT BRACE as shown in **Figure 2**. Position the CROSS SUPPORT BRACE so its top surface is approximately 4-1/4" from the FINISHED FLOOR. Check the horizontal level by placing a level across the top surface of the CROSS SUPPORT BRACE.
2. Orient the Inlet Fittings of the Rough-In to the water supply source. Use the provided WOOD SCREWS (8X) to attach the Rough-In to the CROSS SUPPORT BRASS.
3. Remove PLUGS from inlets of the Rough-In. Utilize appropriate supply line and 1/2" male thread adapter to connect supply line to the 1/2" NPT inlets of the Rough.
4. Turn on water supply and check for leaks.
5. Installation for the Rough-In Kit is now completed.

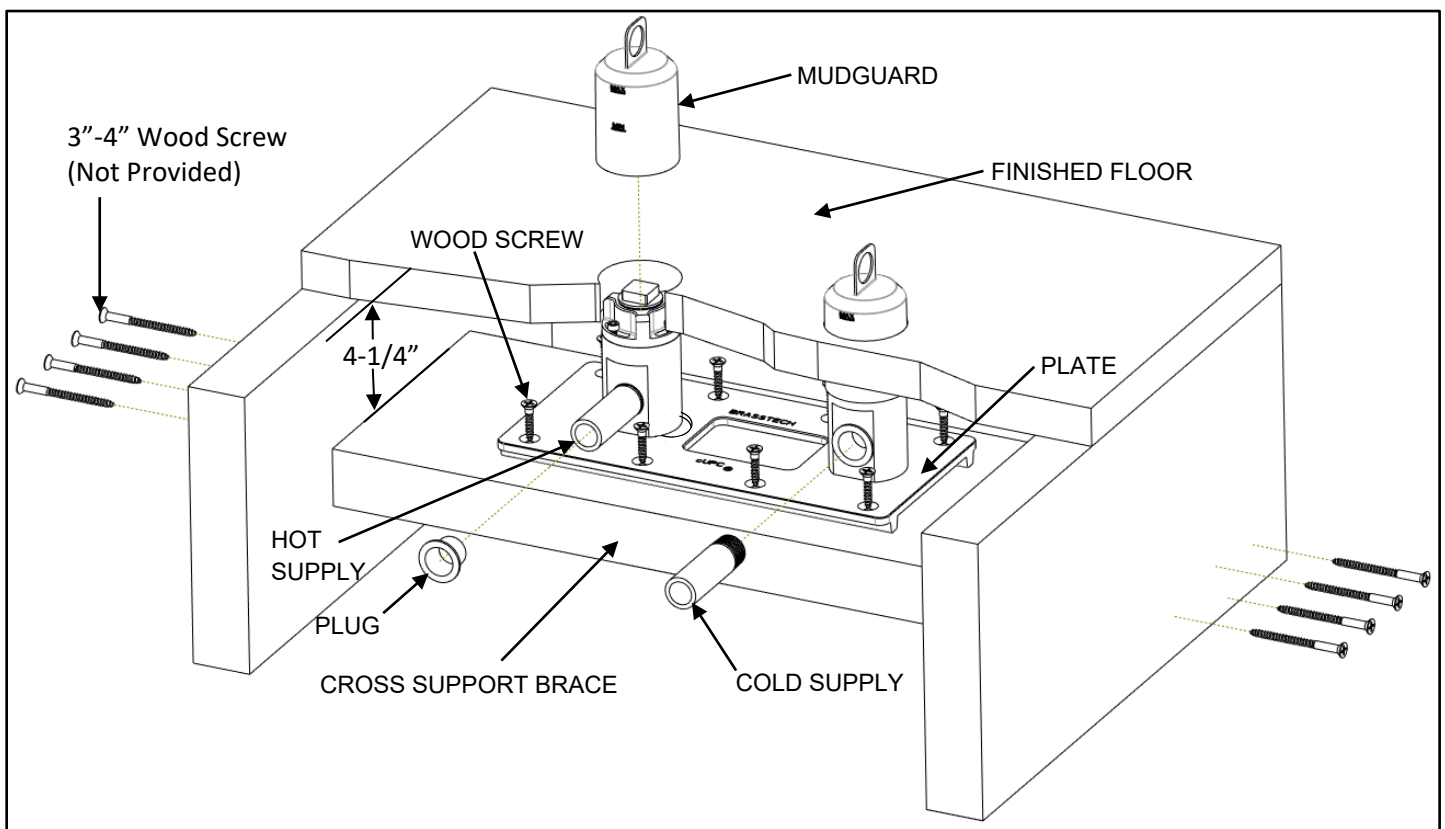


Figure 2: Wood Joist Support Floor Installation

Installation Instruction for Concrete Floor

1. As shown in **Figure 3**, position the rough so that the top surface of PLATE is approximately 3-3/4" from the FINISHED FLOOR
2. Check the horizontal level of the rough by placing a level across the PLATE. Orient the Inlet Fittings of the Rough to the water supply source.
3. Remove PLUGS from Inlets of the Rough. Utilize appropriate supply line and 1/2" male thread adapters to connect supply line to the 1/2" NPT inlets of the Rough.
4. Turn on water supply and check for leaks.
5. Pour concrete and complete the FINISHED FLOOR. Note: Use MUDGUARD to prevent floor material from covering the OUTLET of Rough.
6. Installation for the Rough-In Kit is now completed.

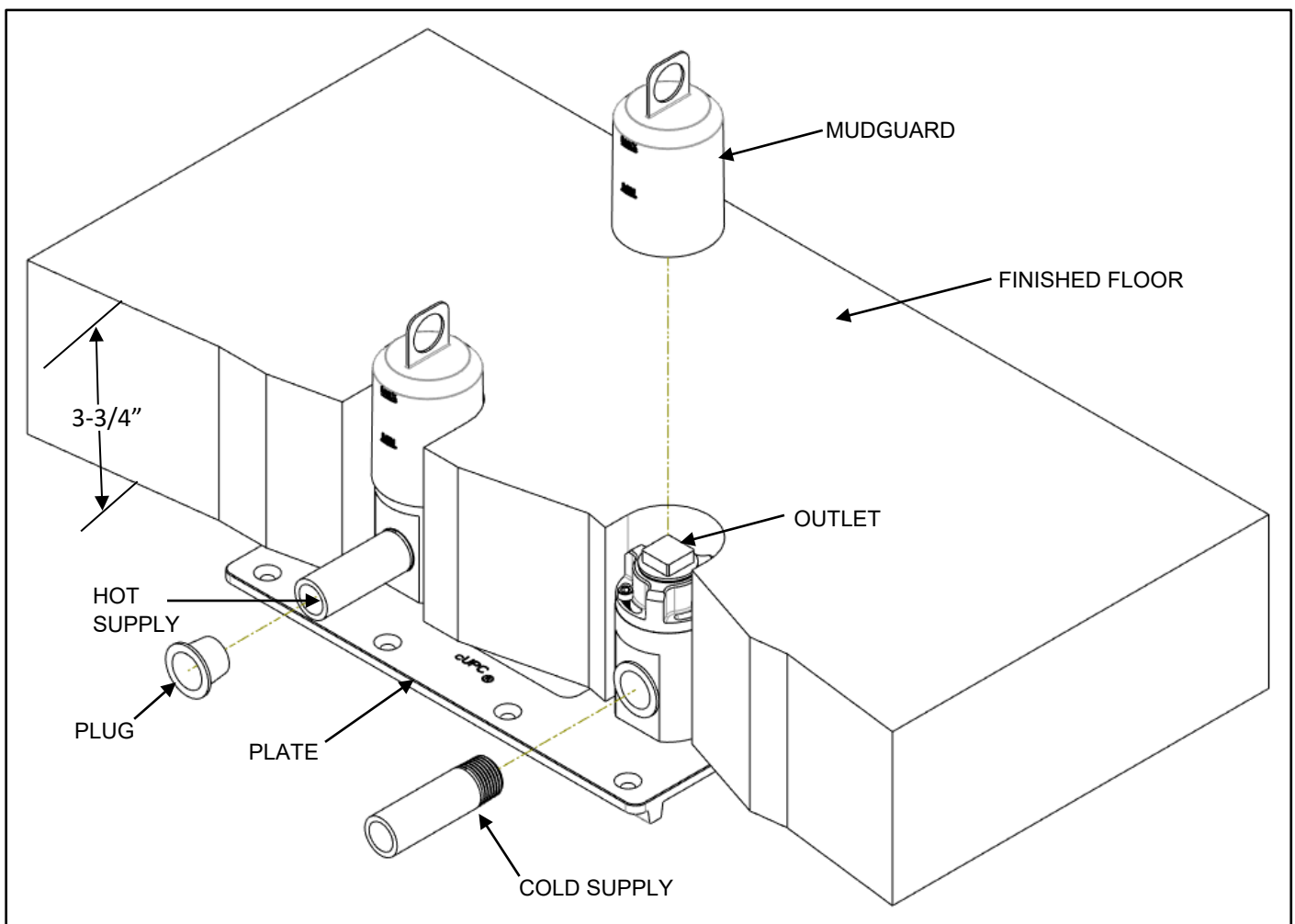


Figure 3: Concrete Floor Installation