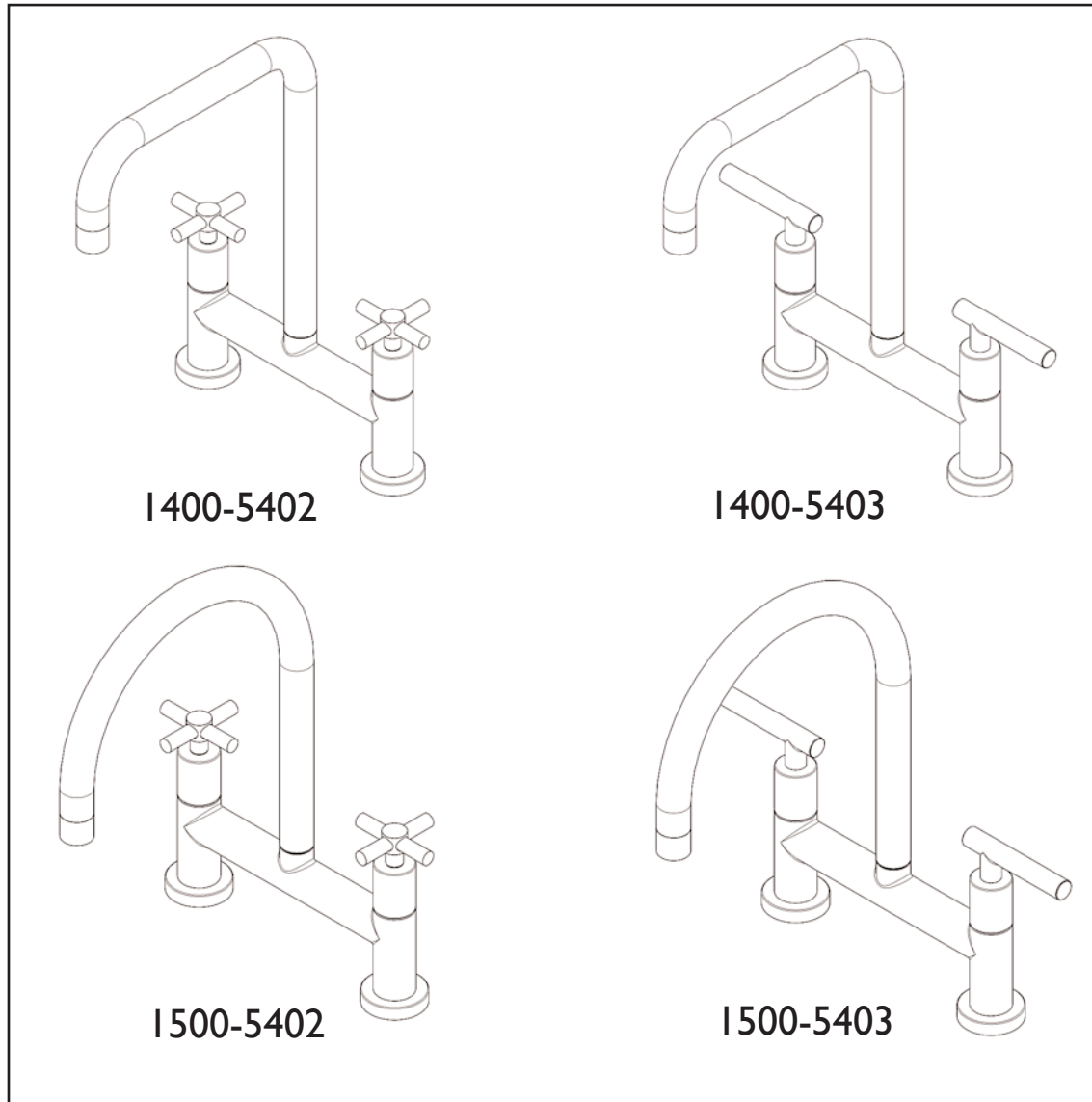


INSTALLATION INSTRUCTIONS

KITCHEN BRIDGE SET

Model No's: 1400-5402, 1400-5403, 1500-5402, 1500-5403



INSTALLERS WARNING:

DO NOT CUT PEX SUPPLY LINES.

It is not necessary or prudent to cut the pex supply lines of this product. Brasstech will not accept product returns for any reason if the supply lines have been cut.

If you have made this mistake, please contact Brasstech customer service at (949) 417-5206 for assistance.

Recommended Installation by a Professional Plumbing Contractor

Installer: Do not cut pex supply line. Doing so will void warranty and expose installer to potential liability.

Note: The use of petroleum base plumbers putty on our products will nullify the warranty. We recommend the use of clear silicone sealing materials. Recommended deck hole $\text{Ø}1.375$.

1. Install bridge BODY (1) onto mounting surface. Secure both sides in place with flange NUT (2). See Figure 1.
2. Connect hot/cold water supply to appropriate 1/2" NPSM bridge BODY (1), utilizing one of the three following types of risers. Supply risers not included. See Figure 2.
 - a. 1/2" IPS flexible riser: discard rubber nosecone WASHER (3), friction WASHER (4) and coupling NUT (5).
 - b. 3/8" or 1/2" OD bullnose riser: utilize friction WASHER (4) and coupling NUT (5).
 - c. 1/2" copper riser: utilize rubber nosecone WASHER (3), friction WASHER (4) and coupling NUT (5).
3. Remove AERATOR (6) from spout, turn on water supply, and flush both valves until water is clear. Check for leaks and make any final adjustments required. Re-attach AERATOR (6) to the spout.

