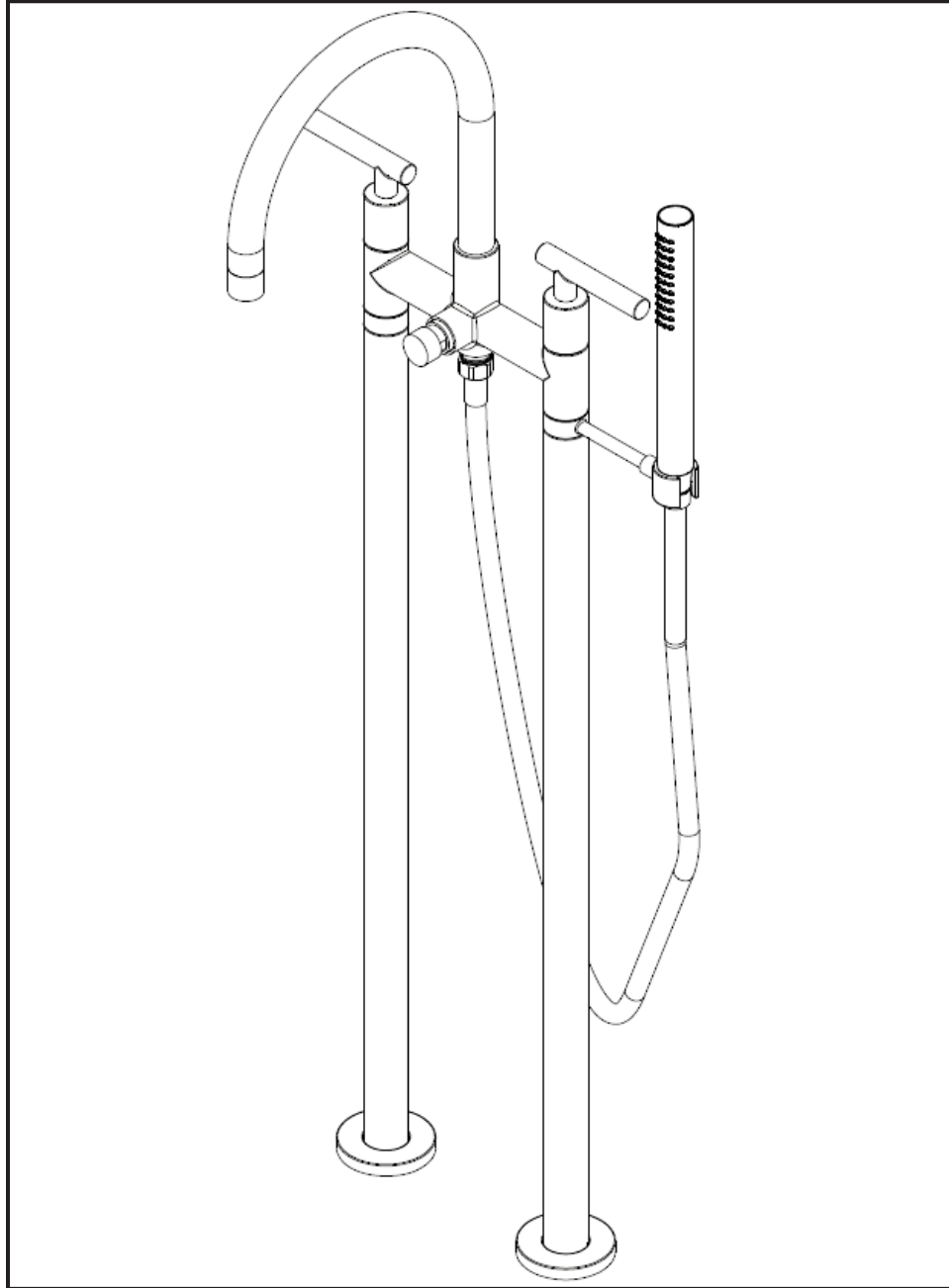


FLOOR MOUNT TUB FILLER INSTALLATION INSTRUCTIONS

MODEL : 1400-4262, 1400-4263 | 500-4262, 500-4263



NEWPORT BRASS

Flawless Beauty. From Faucet to Finish.™

2001 CARNEGIE AVE, SANTA ANA CA 92705

(949) 417-5207

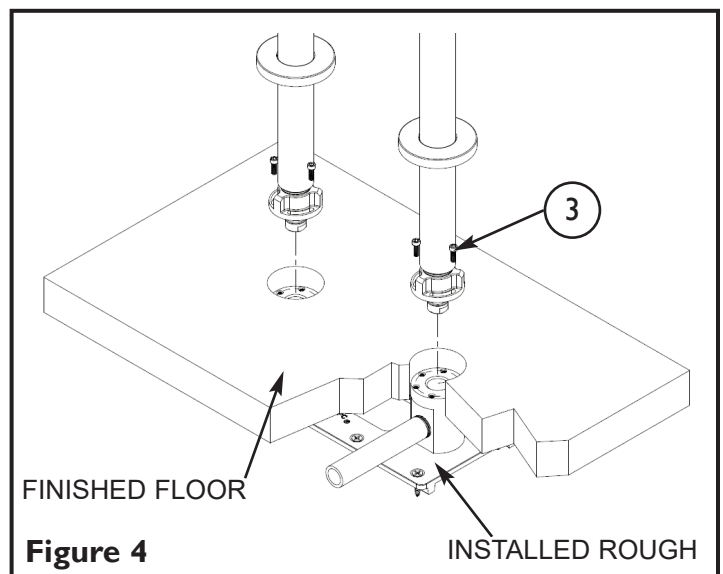
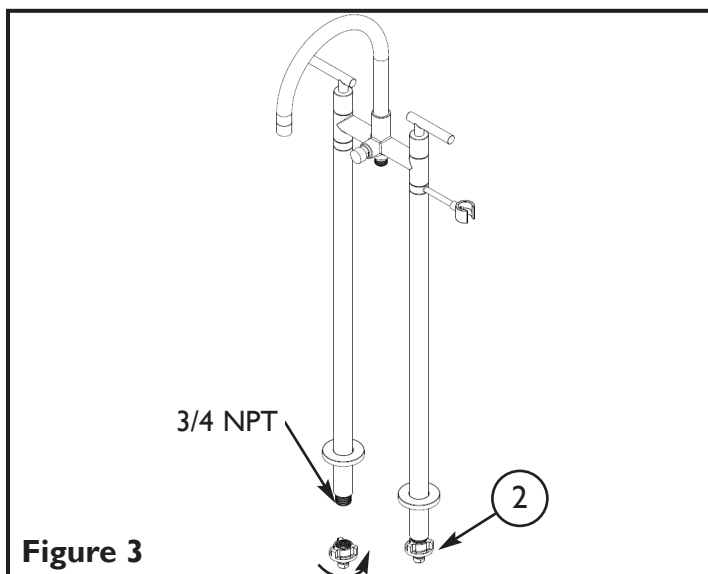
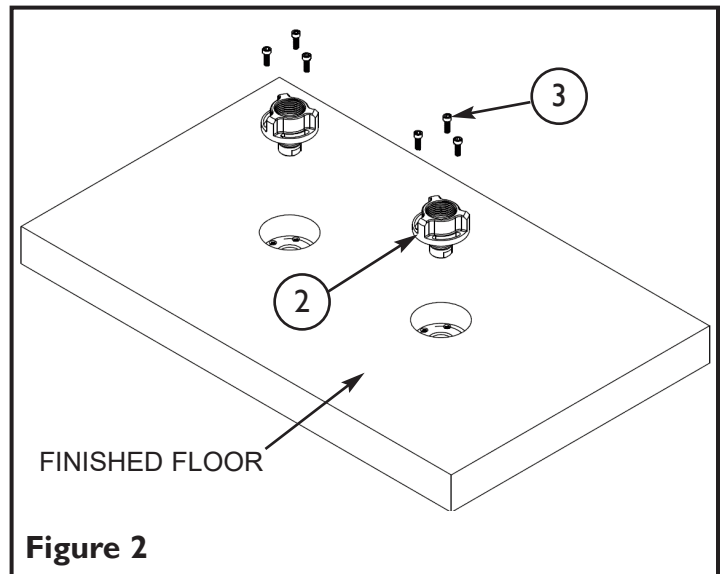
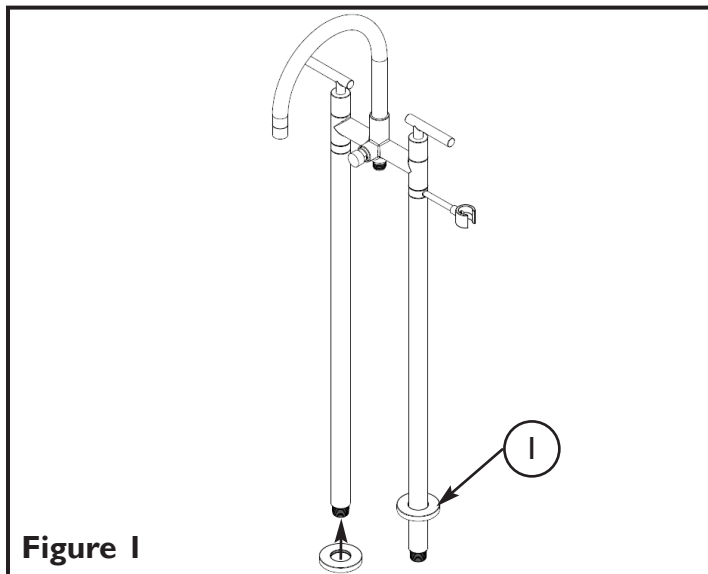
We recommended installation of this product by a Professional Plumbing Contractor

Note: The use of petroleum base plumbers putty on our products will nullify the warranty. We recommend the use of clear silicone sealing materials.

Note: Required rough I-469 must be installed prior to installing the tub filler.

Tub Filler Installation

1. Slide a FLANGE (1) onto each of the tub filler risers. See **Figure 1**.
2. Remove the QUICK CONNECT ADAPTERS (2) from the rough by removing all six #8-32 SCREWS (3) with a 9/64" hex. See **Figure 2**
3. Attach the QUICK CONNECT ADAPTERS (2) to the two 3/4" NPT tub filler inlets. See **Figure 3**.
4. Insert the tub filler with attached QUICK CONNECT ADAPTERS (2) into the rough and tighten the six #8-32 SCREWS (3) to secure the quick connect adapters. See **Figure 4**.
5. Pressurize the tub filler with both handles in the off position to check for leaks.



Tub Filler Installation (continued)

6. Orientate the SPOUT (4) as desired and lock in place by tightening the SET SCREW (5) on the back side of the spout. See **Figure 5**.
7. Attach the hand shower spray HOSE (6), remove the FLOW STRAIGHTENER (7) assembly, and flush the tub filler. Divert the flow to the HOSE (6) to flush as well. See **Figure 6**.
8. Reinstall FLOW STRAIGHTENER (7) assembly and attach HANDSHOWER (8) to HOSE (6). See **Figure 6**.

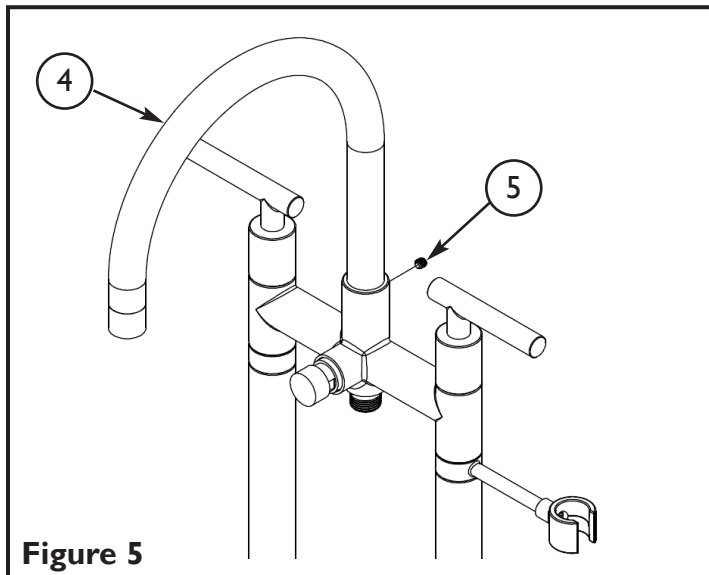


Figure 5

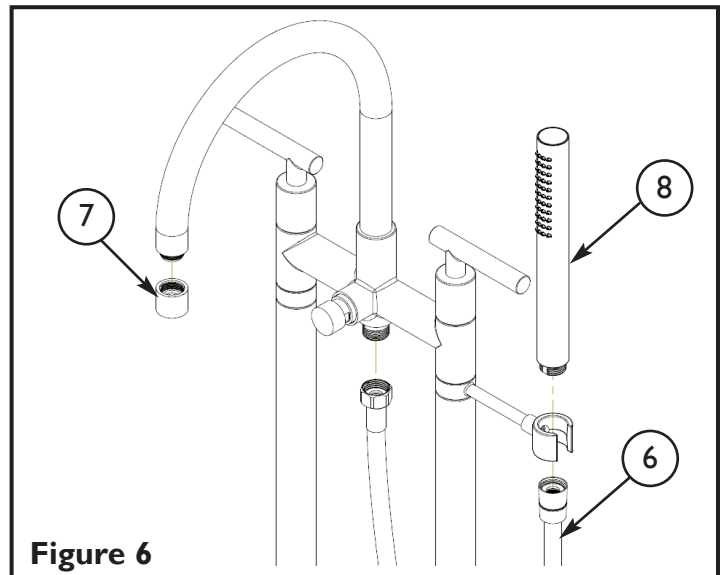
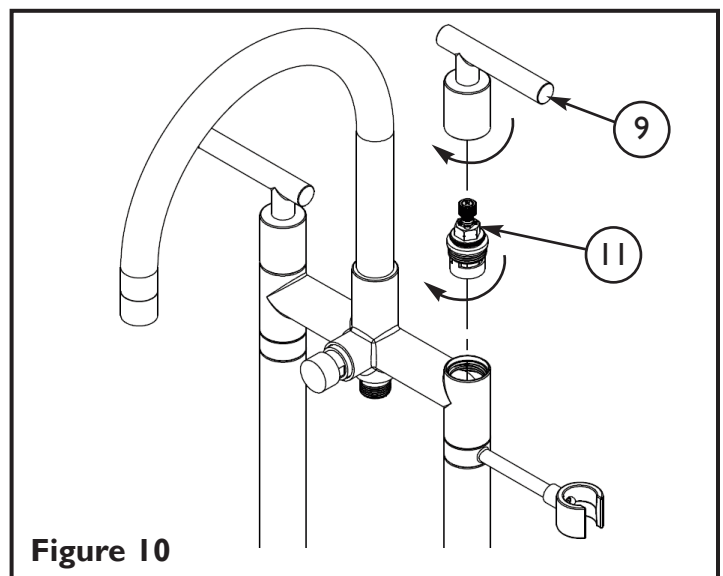
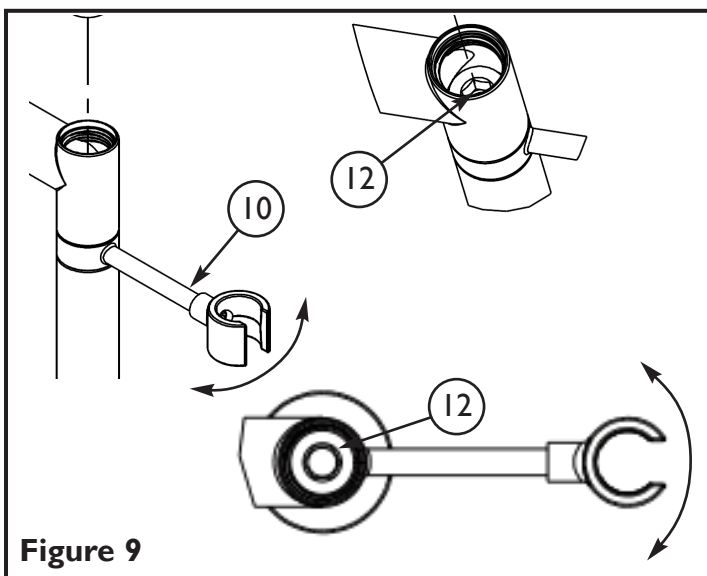
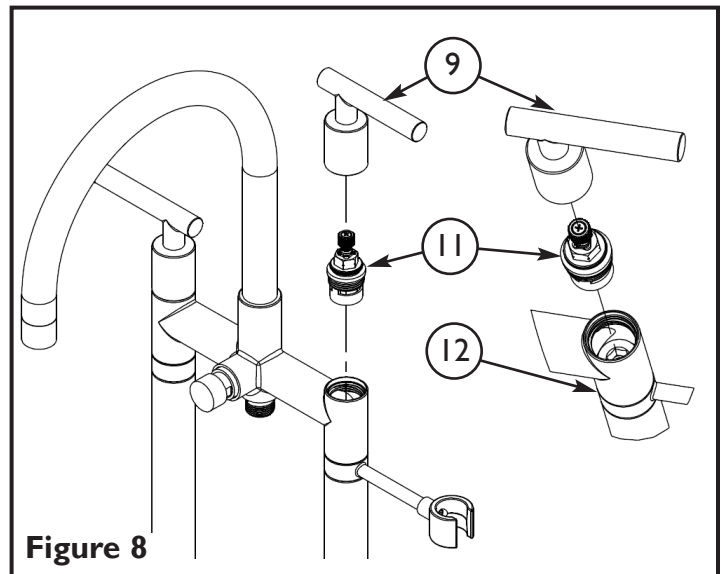
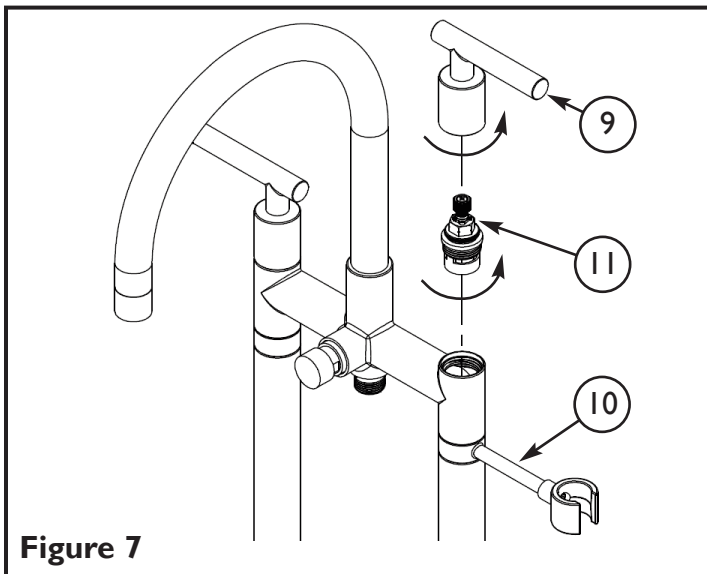


Figure 6

Hand shower holder adjustment about the axis of the riser.

Note: Following steps are to adjust the hand shower holder about the axis of the riser.

1. A 7/16 hex key is required.
2. Unscrew the HANDLE (9) assembly on the side with the HOLDER (10). See **Figure 7**.
3. Remove the CARTRIDGE (11). See **Figure 7**.
4. Using the 7/16 hex key loosen the visible NUT (12) just enough to move the HOLDER (10). Do not fully back out the nut. See **Figure 8**.
5. Adjust the HOLDER (10) to the desired location and tighten the NUT (12) to lock it in place. See **Figure 9**.
6. Install the CARTRIDGE (11) and torque to 15-20 ft-lbs. See **Figure 10**.
7. Install the HANDLE (9) assembly. See **Figure 10**.



Hand shower holder adjustment about the axis of the holder arm.

Note: Following steps are to adjust the hand shower holder about the axis of the holder arm.

1. 5/32 hex key needed; T handle recommended.
2. Slowly loosen the SCREW (13) visible inside the HOLDER (10) until it is possible to move the HOLDER (10). See **Figure 11**. Notches should be felt as the HOLDER (10) is rotated. See **Figure 12**. If HOLDER (10) moves but notches aren't felt, the screw was loosen too much.
3. Once HOLDER (10) is at desired location, tighten the 5/32 hex SCREW (13). See **Figure 12**.

