

NEWPORT BATH

Thermo Rough Valve

1-540



Features

- Solid brass construction
- Provides anti-scald protection and temperature regulation
- Quarter-turn washerless ceramic disc 3/4" valve cartridges.
- Must use with separate stop/volume control
- High-temperature safety stop ensures water temperature stays below maximum setting
- Integral hot and cold inlet stops ensure easy cartridge access
- 3/4" NPT female thread (inlet and outlet) valve body
- Single outlet configuration
- Requires Newport Brass 3/4" Thermostatic Trim (many options available, sold-separately)

Codes / Standards Compliance

Meets or exceeds the following at date of manufacture:

- ASME A112.18.1/CSA B125.1-18
- IAMPO/cUPC
- IPC
- ASSE 1016/ASME A112.1016
- All applicable US Federal and State material regulations

Colors / Finishes

- 10B: Oil Rubbed Bronze
- 15: Polished Nickel
- 15S: Satin Nickel - PVD
- 26: Polished Chrome
- Other: Refer the Newport Brass catalog for additional color/finish options.



Specified Model

Model	Description	Colors Finishes
1-540	3/4" Thermostat Valve For Shower Installations	<input type="checkbox"/> NA

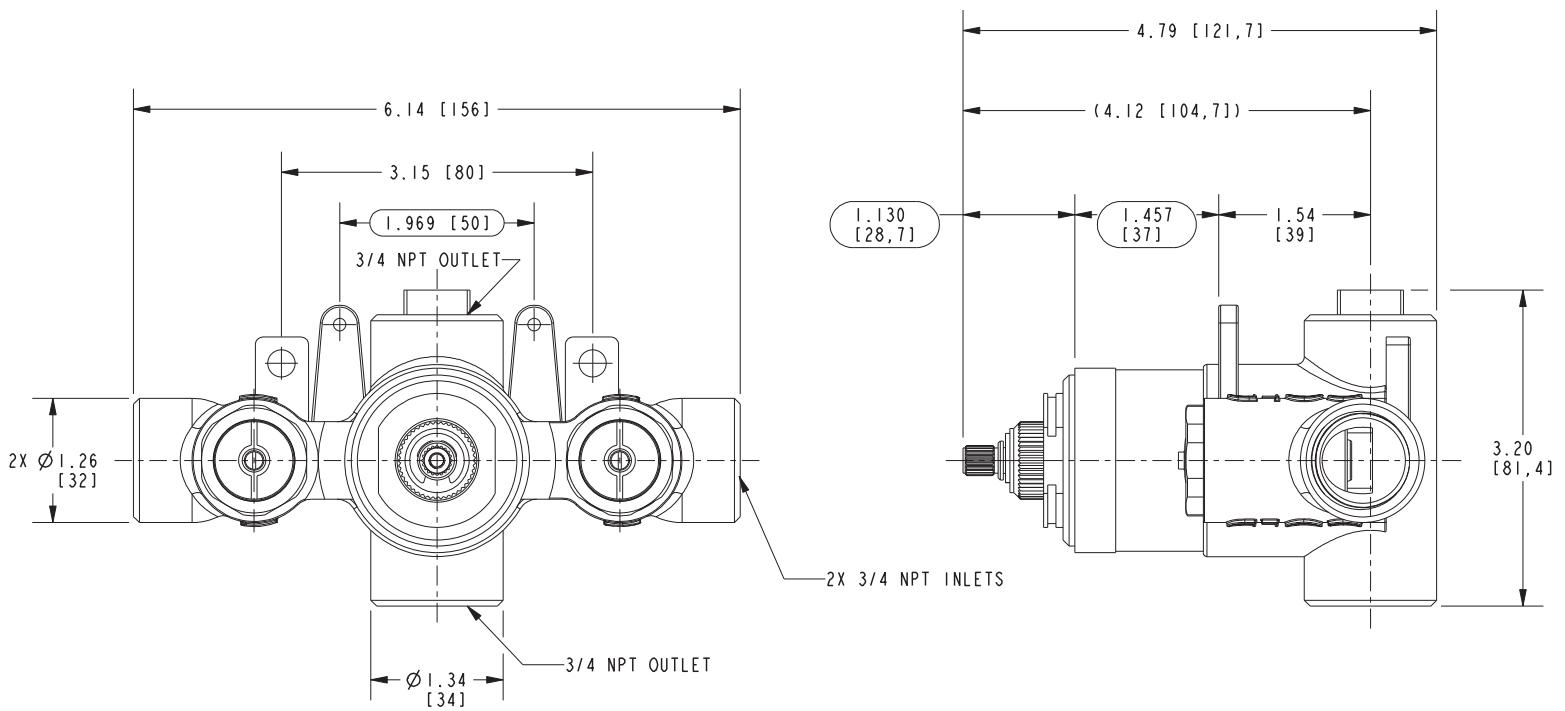
Product Specification:

Add "Color / Finish" suffix to Model number, below.

The Thermostat Valve for shower installations shall be made of solid brass construction. Valve shall provide anti-scald protection and temperature regulation while maintaining a constant set temperature of +/- 2 °F when exposed to in-line pressure variations. Valve inlets shall include integral stops and incorporate 3/4" NPT female thread for inlets and outlet. Valve shall incorporate mounting tabs along the back surface. Thermostat Valve for shower installations shall be Newport Brass Model 1-540.

1-540

PRODUCT DIMENSIONS *(Units are in inches)*



Newport Thermo Rough Valve 1-540