

**Features**

- Solid brass construction
- Quarter-turn washerless ceramic disc valve cartridges
- Traditional lever handle design
- Spout assembly with integral supply hoses
- Spring-loaded, normally closed lever handle
- 6.53" (16.6 cm) spout height at outlet
- 4.82" (12.2 cm) spout reach (c-c)
- For single hole configurations

**Hot and Cold Water Dispenser Faucet**

**107**



**Codes / Standards Compliance**

Meets or exceeds the following at date of manufacture:

- ASME A112.18.1/CSA B125.1
- IAMPO/cUPC
- NSF/ANSI 61, SECTION 9
- NSF/ANSI 372
- IPC
- Energy Policy Act of 1992
- California Energy Commission
- All applicable US Federal and State material regulations

**Colors / Finishes**

- 10B: Oil Rubbed Bronze
- 15: Polished Nickel
- 15S: Satin Nickel - PVD
- 26: Polished Chrome
- Other: Refer to the Newport Brass catalog for additional color/finish options.



**Specified Model**

Model	Description	Colors   Finishes
107	Hot and Cold Water Dispenser Faucet	<input type="checkbox"/> 10B <input type="checkbox"/> 15 <input type="checkbox"/> 15S <input type="checkbox"/> 26 <input type="checkbox"/> Other
5-036	Point-of-Use Water Heater (115V, 140°F to 190° range)	N/A

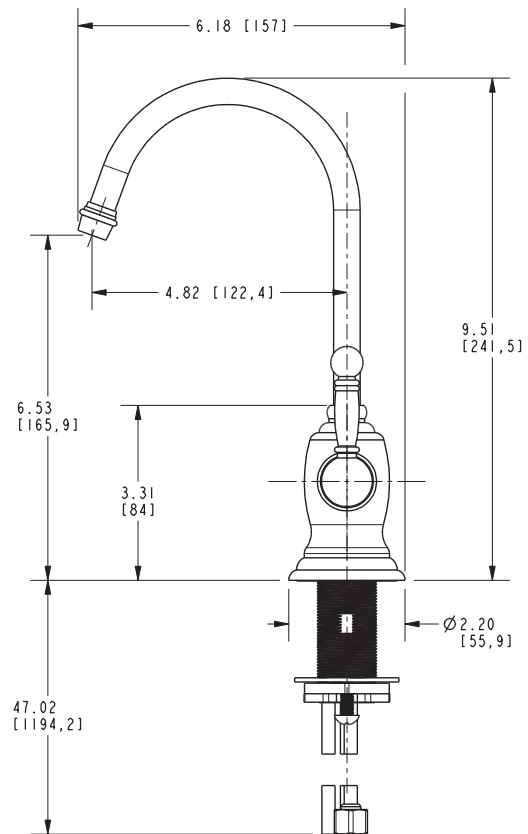
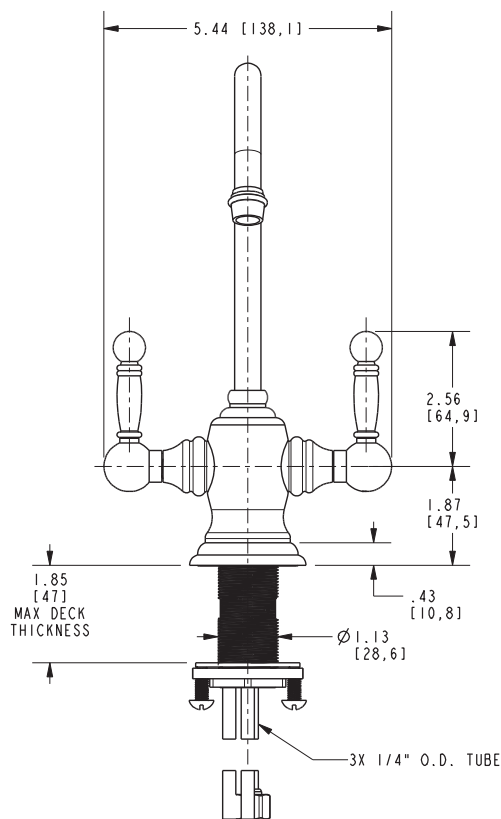
**Product Specification** Add "Color / Finish" suffix to Model number, below.

The Hot and Cold Water Dispenser Faucet shall be made of solid brass construction. Faucet shall incorporate a spout assembly with integral supply hoses and feature quarter-turn washerless ceramic disc valve cartridges. Faucet shall incorporate a traditional lever handle design and feature a spring-loaded, normally closed hot lever mechanism. Hot and Cold Water Dispenser Faucet shall have a 1.5 gallon (5.7 liters) per minute maximum flow rate and accommodate single hole configurations. Product shall incorporate a 6.53" (16.6 cm) spout height at outlet and a 4.82" (12.2 cm) spout reach (c-c). Hot and Cold Water Dispenser Faucet shall be Newport Brass Model 107/\_\_\_\_ . [Point-of-Use Water Heater shall be Newport Brass Model 5-036].

# 107

## PRODUCT DIMENSIONS *(Units are in inches)*

Product Dimensions are provided for reference only. For specific product installation guidelines, please reference the Installation Instructions of the product being installed.



## Nadya Hot and Cold Water Dispenser 107