

Features

- Solid brass construction
- Pivoting Decorative Overflow Head
- 2-hole face plate
- Toe -Activated Tub Drain
- Maximum make-up distance is 22"
- All Parts Polished For Use With Tubs On Legs

Tub & Shower Waste & Overflow

111-2962



Codes / Standards Compliance

Meets or exceeds the following at date of manufacture:

- ASME A112.18.2/CSA B125.2
- IAMPO/cUPC
- IPC
- All applicable US Federal and State material regulations

Colors / Finishes

- 10B: Oil Rubbed Bronze
- 15: Polished Nickel
- 15S: Satin Nickel - PVD
- 26: Polished Chrome
- Other: Refer to the Newport Brass catalog for additional color/finish options.



Specified Model

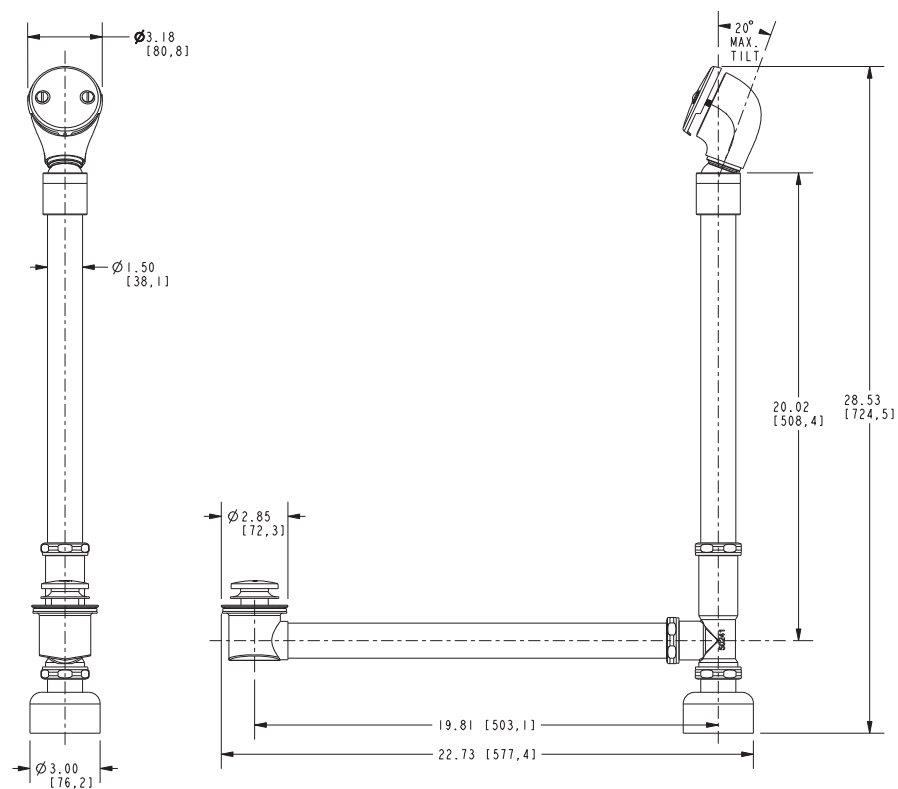
Model	Description	Colors Finishes
111-2962	Tub & Shower Waste & Overflow	<input type="checkbox"/> 10B <input type="checkbox"/> 15 <input type="checkbox"/> 15S <input type="checkbox"/> 26 <input type="checkbox"/> Other

Product Specification Add "Color / Finish" suffix to Model number, below.

Pivoting toe activated waste with overflow shall be of solid brass construction. Shall include a pivoting decorative overflow head. Shall include a toe -activated tub drain . Maximum make-up distance shall be 22". All Parts shall be polished for use in an exposed install. Pivoting toe activated waste with overflow shall be Newport Brass Model 111-2962/____.

111-2962

Product Dimensions are provided for reference only. For specific product installation guidelines, please reference the Installation Instructions of the product being installed.



Brasstech Tub & Shower Waste & Overflow 111-2962