

METROPOLE

Tub and Handshower Set 1200-4273

Features

- Solid brass construction
- Quarter-turn washerless ceramic disc valve cartridges
- 3/4" NPT hot and cold inlet fittings
- 9.11" (23.1 cm) tub spout reach from inlet fittings (c-c)
- 2.08" (5.3 cm) handshower diameter
- For deck-mounted configurations
- ADA Complaint (Handles Only)
- 1.8 GPM (6.8 LPM) Max, Handshower Only

Codes / Standards Compliance

Meets or exceeds the following at date of manufacture:

- ASME A112.18.1/CSA B125.1
- IAMPO/cUPC
- IPC
- ADA & ICC/ANSI A117.1 (Handle Only)
- Energy Policy Act of 1992
- EPA WaterSense
- California Energy Commission
- ASME A112.18.3 (Back Flow)
- All applicable US Federal and State material regulations

Colors / Finishes

- 10B: Oil Rubbed Bronze
- 15: Polished Nickel
- 15S: Satin Nickel - PVD
- 26: Polished Chrome
- Other: Refer to the Newport Brass catalog for additional color/finish options.



Specified Model

Model	Description	Colors Finishes
1200-4273	Exposed Tub and Handshower Set (Deck Mount)	<input type="checkbox"/> 10B <input type="checkbox"/> 15 <input type="checkbox"/> 15S <input type="checkbox"/> 26 <input type="checkbox"/> Other

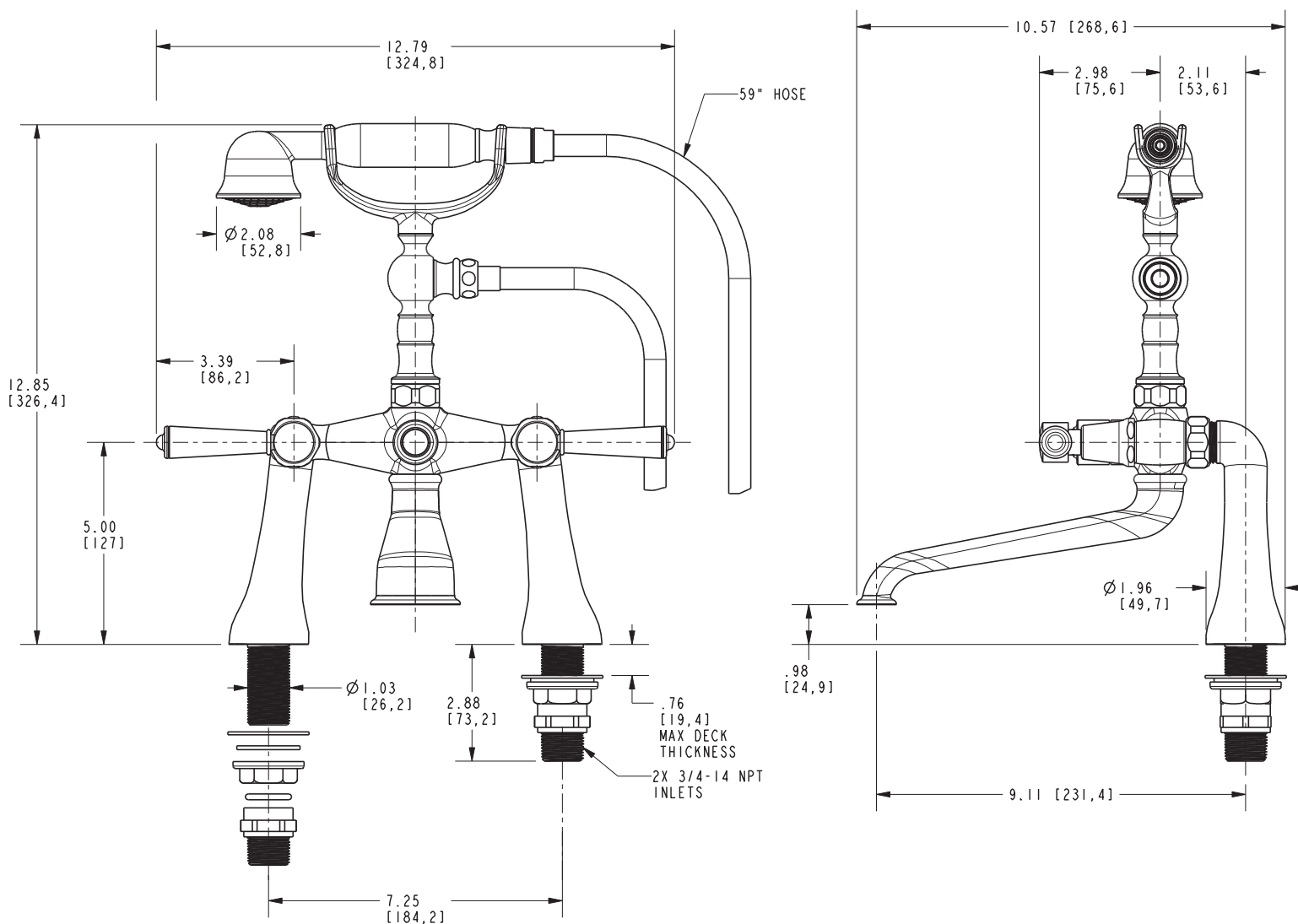
Product Specification Add "Color / Finish" suffix to Model number, below.

The Exposed Tub and Handshower Set shall be made of solid brass construction and incorporate quarter-turn washerless ceramic disc valve cartridges. Exposed Tub and Handshower Set shall incorporate a push button diverter and ADA complaint lever handles. Product shall be designed for deck-mounted configurations. Product shall have a 9.11" (23.1 cm) tub spout reach (c-c) and 3/4" NPT deck-mounted hot/cold inlet fittings. Product shall feature a solid brass handshower having a diameter of 2.08" (5.3 cm) and a 1.8 gallons (6.7 liters) per minute maximum flow rate. Exposed Tub and Handshower Set shall be Newport Brass Model 1200-4273/_____.

1200-4273

PRODUCT DIMENSIONS *(Units are in inches)*

Product Dimensions are provided for reference only. For specific product installation guidelines, please reference the Installation Instructions of the product being installed.



Metropole Tub and Handshower Set 1200-4273