

Tub & Shower Drain Cover

238

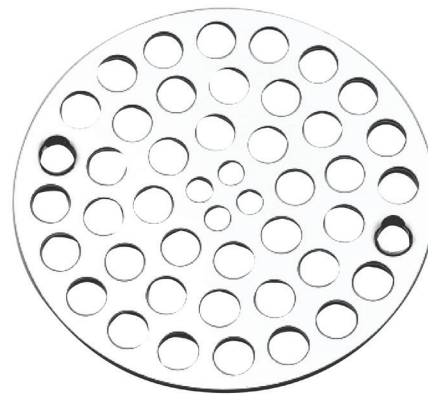
Features

- Solid brass construction
- Includes a 4" diameter drain cover
- Screw holes 3-3/8" center to center
- Intended for use with Plastic Oddities, Prier Brass, Richmond Foundry, Sioux Chief, C.P.
- Industries and Rapidfit shower drains.
- Complements various product series

Codes / Standards Compliance

Meets or exceeds the following at date of manufacture:

- All applicable US Federal and State material regulations



Colors / Finishes

- 10B: Oil Rubbed Bronze
- 15: Polished Nickel
- 15S: Satin Nickel - PVD
- 26: Polished Chrome
- Other: Refer to the Newport Brass catalog for additional color/finish options.

Specified Model

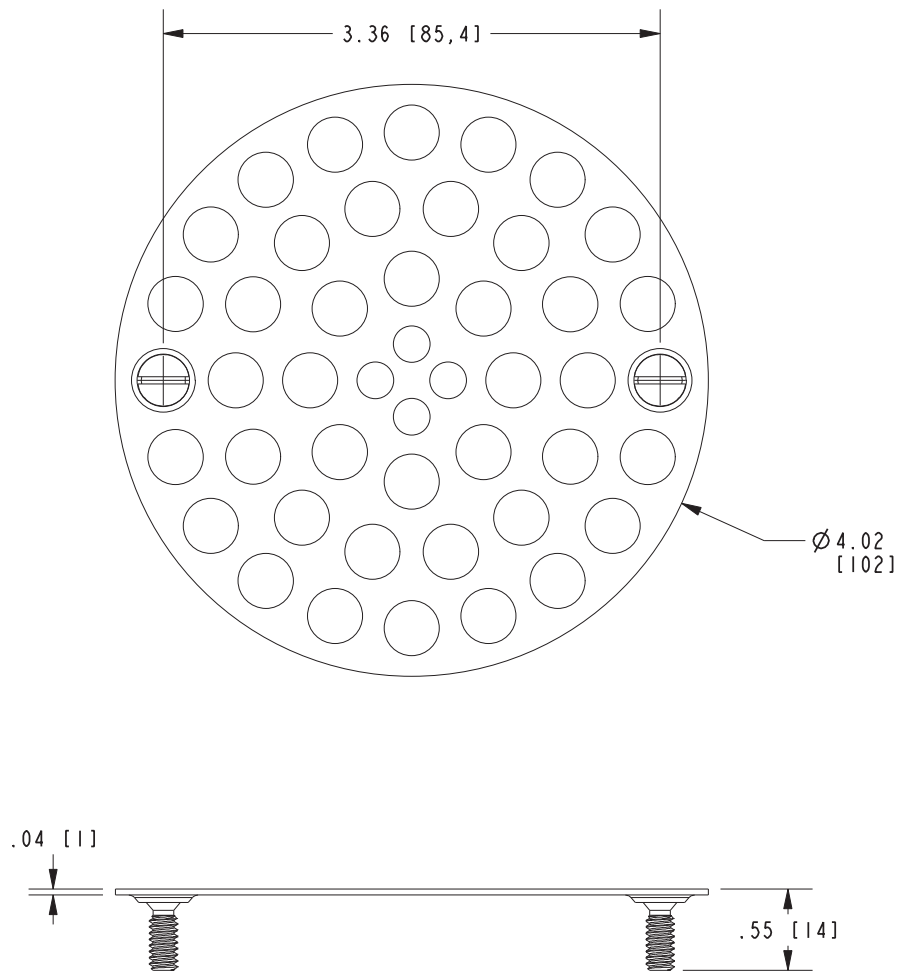
Model	Description	Colors Finishes
238	Tub & Shower Drain Cover	<input type="checkbox"/> 10B <input type="checkbox"/> 15 <input type="checkbox"/> 15S <input type="checkbox"/> 26 <input type="checkbox"/> Other

Product Specification Add "Color / Finish" suffix to Model number, below.

The Shower Drain Cover shall be made of solid brass construction. Product shall feature 3-3/8" center to center screw holes and include grill, and trim screws. The Shower Drain Trim Set shall be Newport Brass Model 238/_____.

238

Product Dimensions are provided for reference only. For specific product installation guidelines, please reference the Installation Instructions of the product being installed.



Brasstech Tub & Shower Drain Cover 238