

# NEWPORT BATH

## Shower Drain Throat **277-06**

### Features

- Solid brass construction
- Accommodates 6" square tile
- 4" Dome Strainer
- 4" IPS outlet
- Compatible with most 4" IPS drain bodies

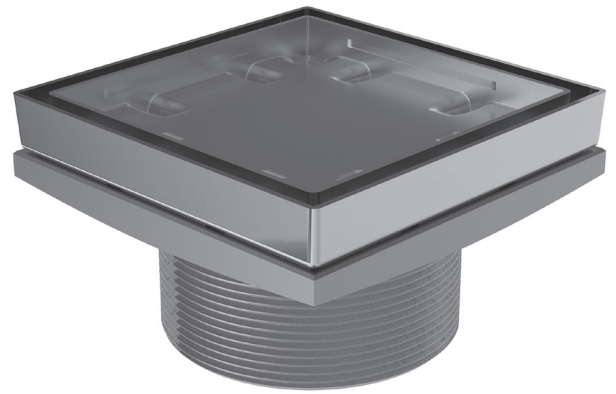
### Codes / Standards Compliance

Meets or exceeds the following at date of manufacture:

- All applicable US Federal and State material regulations

### Colors / Finishes

- 10B: Oil Rubbed Bronze
- 15: Polished Nickel
- 15S: Satin Nickel - PVD
- 26: Polished Chrome
- Other: Refer to the Newport Brass catalog for additional color/finish options.



### Specified Model

Model	Description	Colors   Finishes
277-06	Square Shower Drain Throat	<input type="checkbox"/> 10B <input type="checkbox"/> 15 <input type="checkbox"/> 15S <input type="checkbox"/> 26 <input type="checkbox"/> Other

### Product Specification:

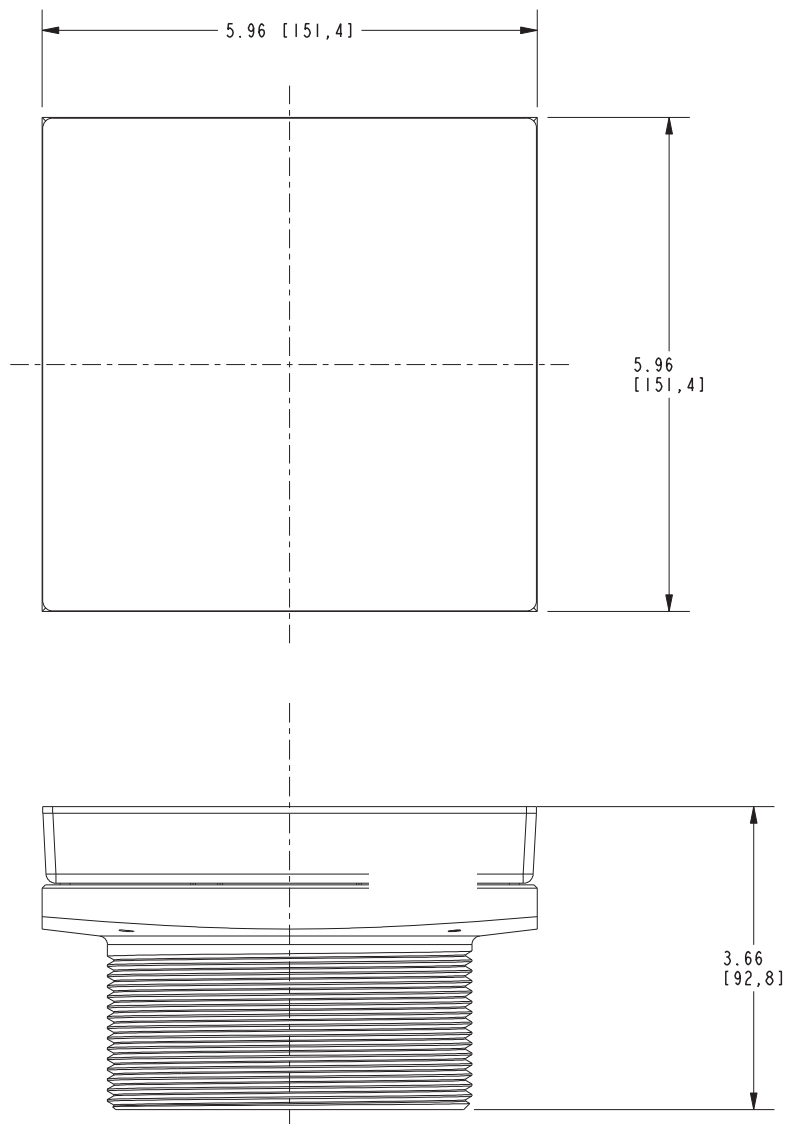
Add "Color / Finish" suffix to Model number, below.

The Square Shower Drain Throat shall be made of solid brass construction. Product shall accommodate 6" square tile. Shower Drain Throat shall incorporate a 4" IPS outlet. Product shall include a 4" dome strainer. Shower Drain Throat shall be Newport Brass Model 277-06.

# 277-06

## PRODUCT DIMENSIONS *(Units are in inches)*

Product Dimensions are provided for reference only. For specific product installation guidelines, please reference the Installation Instructions of the product being installed.



### Newport Bath Shower Drain Throat 277-06