

Features

- Solid brass construction
- Soft touch air activated
- 6’ supply air hose
- U/L listed 120VAC -15 amp indoor use only outlet
- .93” (2.4 cm) trim height
- 1.88” (4.8 cm) trim diameter
- Complements Duncan Series

Air Activated Disposer Switch Kit

3190-5811

Also 20-382

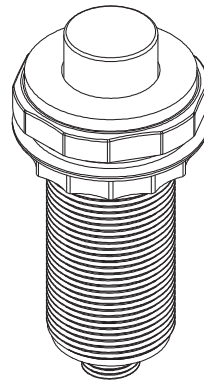
Codes / Standards Compliance

Meets or exceeds the following at date of manufacture:

- All applicable US Federal and State material regulations

Colors / Finishes

- 10B: Oil Rubbed Bronze
- 15: Polished Nickel
- 15S: Satin Nickel - PVD
- 26: Polished Chrome
- Other: Refer to the Newport Brass catalog for additional color/finish options.



20-382



3190-5811

Specified Model

Model	Description	Colors Finishes				
3190-5811	Air Activated Disposer Switch Kit	<input type="checkbox"/> 10B	<input type="checkbox"/> 15	<input type="checkbox"/> 15S	<input type="checkbox"/> 26	<input type="checkbox"/> Other
20-382	Air Activated Disposer Switch Trim	<input type="checkbox"/> 10B	<input type="checkbox"/> 15	<input type="checkbox"/> 15S	<input type="checkbox"/> 26	<input type="checkbox"/> Other

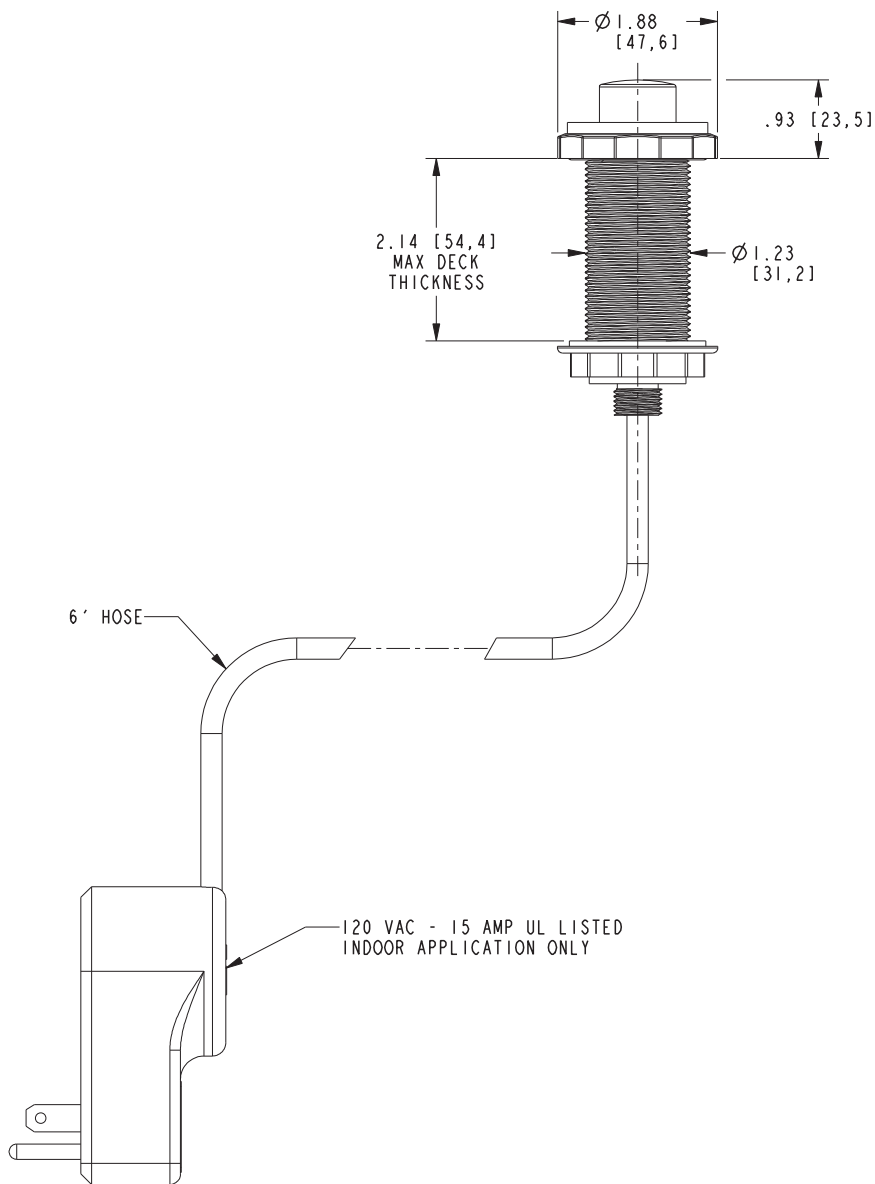
* Note: Requires 1-1/4” [3.2 cm] to 1-11/16” [4.3 cm] through hole.

Product Specification Add “Color / Finish” suffix to Model number, below.

Air Activated Disposer Switch trim shall be made of solid brass construction. Air Activated Disposer Switch shall include 6’ of supply air hose. Air Activated Disposer Switch shall include U/L listed 120VAC -15 amp indoor use only outlet adapter. Air Activated Disposer Switch shall be Newport Brass Model 3190-5811/____. Air Activated Disposer Switch Trim shall be Newport Brass Model 20-382/____.

3190-5811

Product Dimensions are provided for reference only. For specific product installation guidelines, please reference the Installation Instructions of the product being installed.



Duncan Air Activated Disposer Switch Kit 3190-5811