

Toilet Tissue Holder
3290-1500

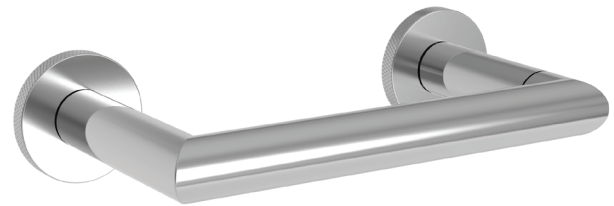
Features

- Solid brass construction
- Double-post design with pivoting roller
- Complements Muncy product series

Codes / Standards Compliance

Meets or exceeds the following at date of manufacture:

- All applicable US Federal and State material regulations



Colors / Finishes

- 10B: Oil Rubbed Bronze
- 15: Polished Nickel
- 15S: Satin Nickel - PVD
- 26: Polished Chrome
- Other: Refer to the Newport Brass catalog for additional color/finish options.

Specified Model

Model	Description	Colors Finishes				
3290-1500	Toilet Tissue Holder	<input type="checkbox"/> 10B	<input type="checkbox"/> 15	<input type="checkbox"/> 15S	<input type="checkbox"/> 26	<input type="checkbox"/> Other

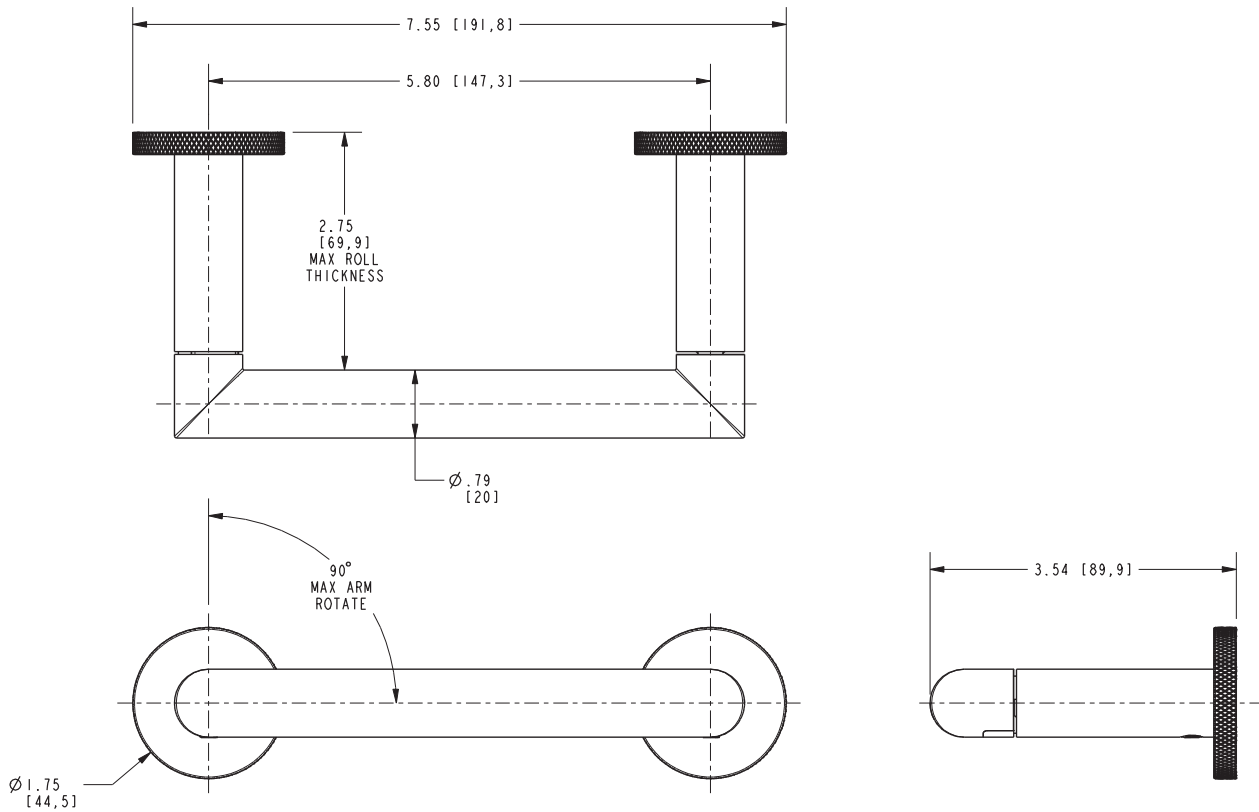
Product Specification Add "Color / Finish" suffix to Model number, below.

The Toilet Tissue Holder shall be made of solid brass construction and incorporate a double-post design utilizing a pivoting roller. Toilet Tissue Holder shall complement Newport Brass Muncy product series. Toilet Tissue Holder shall be Newport Brass Model 3290-1500/_____.

3290-1500

PRODUCT DIMENSIONS *(Units are in inches)*

Product Dimensions are provided for reference only. For specific product installation guidelines, please reference the Installation Instructions of the product being installed.



Muncy Toilet Tissue Holder 3290-1500