

Features

- Solid brass construction
- Face plate with ADA compliant traditional lever handle
- ADA compliant traditional lever handle assembly for control valve
- Intended for use with Newport Brass rough valve(s) as specified (Required Accessory)
- ADA Compliant

Codes / Standards Compliance

Meets or exceeds the following at date of manufacture:

- ASME A112.18.1/CSA B125.1
- IAMPO/cUPC
- IPC
- ADA & ICC/ANSI A117.1
- All applicable US Federal and State material regulations

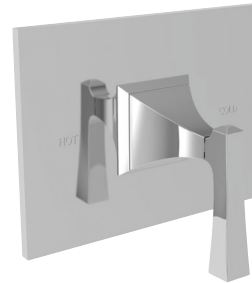
Colors / Finishes

- 10B: Oil Rubbed Bronze
- 15: Polished Nickel
- 15S: Satin Nickel - PVD
- 26: Polished Chrome
- Other: Refer to the Newport Brass catalog for additional color/finish options.

**Tub or Shower Trim
(less tub spout or showerhead, arm or flange)**

4-2574BP

Also 20-113



4-2574BP



20-113

Specified Model

| Model | Description | Colors Finishes | | | | |
|----------|--|------------------------------|-----------------------------|------------------------------|-----------------------------|--------------------------------|
| 4-2574BP | Tub or Shower Trim (less tub spout or showerhead, arm or flange) | <input type="checkbox"/> 10B | <input type="checkbox"/> 15 | <input type="checkbox"/> 15S | <input type="checkbox"/> 26 | <input type="checkbox"/> Other |
| 20-113 | Shower System Control Valve Trim (Escutcheon/Handle) | <input type="checkbox"/> 10B | <input type="checkbox"/> 15 | <input type="checkbox"/> 15S | <input type="checkbox"/> 26 | <input type="checkbox"/> Other |

Required Accessory: Trim(s), above, and Rough Valve(s), below, must be specified.

| System Element | Shower (or Tub) Valve (Choose One) | | Control Valve (Optional) |
|--------------------------|------------------------------------|--------------------------------|--------------------------------|
| Description | BP Valve Option A | BP Valve Option B | 3-Outlet Diverter |
| Inlet/Outlet Size | 1/2" | 1/2" | 1/2" |
| Part Number | <input type="checkbox"/> 1-594 | <input type="checkbox"/> 1-684 | <input type="checkbox"/> 1-703 |
| Image | | | |

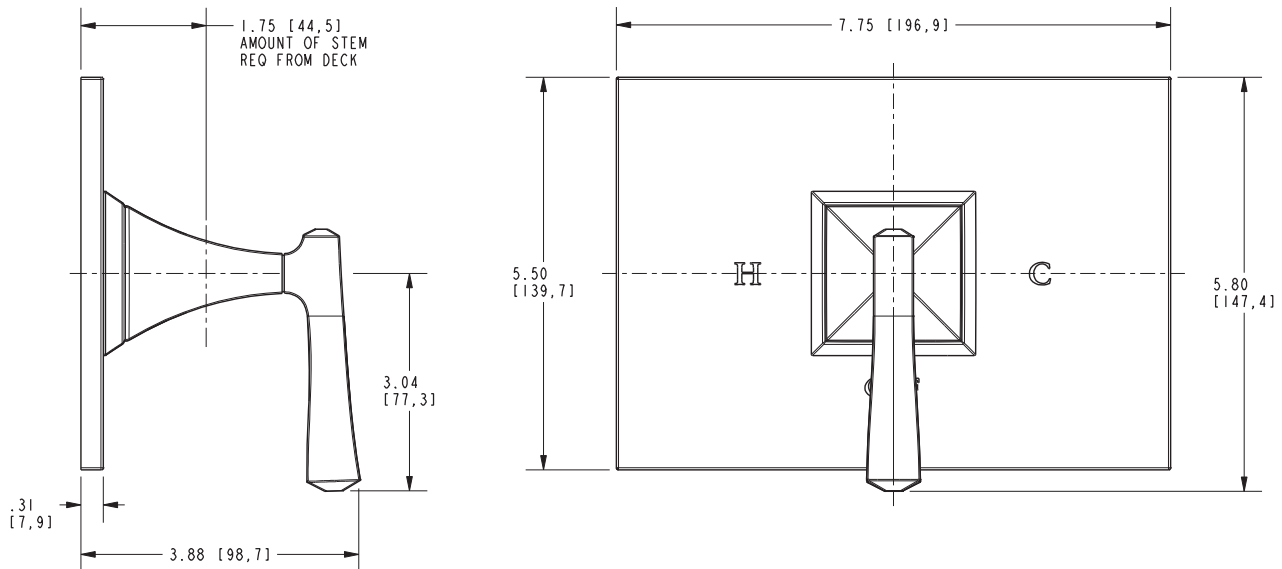
Product Specification: Add size designator and "Color / Finish" suffix to Model number, below.

The single-control Tub or Shower Trim (less tub spout or showerhead, arm & flange) shall be made of solid brass construction. Tub or Shower Trim shall include faceplate with ADA compliant handle. Shower System Control Valve Trim(s) (Escutcheon/Handle) shall be ADA compliant when used with specified Shower System Control Valve. Tub or Shower Trim (less tub spout or showerhead, arm & flange) shall be Newport Brass Model 4-2574BP/____ and single-control Tub or Shower rough valve shall be Newport Brass Model 1____. [Optional Shower System Control Valve Trim (Escutcheon/Handle) shall be 20-113/____ and Shower System Control Valve shall be 1-703].

4-2574BP

PRODUCT DIMENSIONS *(Units are in inches)*

Product Dimensions are provided for reference only. For specific product installation guidelines, please reference the Installation Instructions of the product being installed.



Joffrey Shower Trim 4-2574BP