

Features

- Solid brass construction
- Face plate with diverter pull-knob and ADA compliant traditional cross handle
- ADA compliant traditional cross handle assembly for control valve
- Intended for use with Newport Brass rough valve(s) as specified (Required Accessory)
- ADA Complaint (Handles Only)

Codes / Standards Compliance

Meets or exceeds the following at date of manufacture:

- ASME A112.18.1/CSA B125.1
- IAMPO/cUPC
- IPC
- ADA & ICC/ANSI A117.1 (Handle Only)
- All applicable US Federal and State material regulations

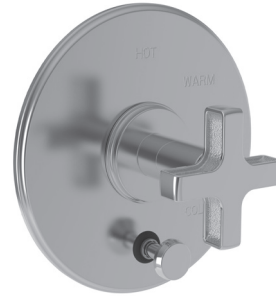
Colors / Finishes

- 10B: Oil Rubbed Bronze
- 15: Polished Nickel
- 15S: Satin Nickel - PVD
- 26: Polished Chrome
- Other: Refer to the Newport Brass catalog for additional color/finish options.

**Tub and Shower Trim
(less tub spout, showerhead, arm & flange)**

5-3282BP

Also 3-649



5-3282BP



3-649

Specified Model

| Model | Description | Colors Finishes | | | | |
|----------|--|------------------------------|-----------------------------|------------------------------|-----------------------------|--------------------------------|
| 5-3282BP | Tub and Shower Trim (less tub spout, showerhead, arm & flange) | <input type="checkbox"/> 10B | <input type="checkbox"/> 15 | <input type="checkbox"/> 15S | <input type="checkbox"/> 26 | <input type="checkbox"/> Other |
| 3-649 | Shower System Control Valve Trim (Escutcheon/Handle) | <input type="checkbox"/> 10B | <input type="checkbox"/> 15 | <input type="checkbox"/> 15S | <input type="checkbox"/> 26 | <input type="checkbox"/> Other |

Required Accessory:

| System Element | Tub & Shower Valve | Control Valve (Optional) |
|--------------------------|--------------------------------|--------------------------------|
| Description | BP Valve | 3-Outlet Diverter |
| Inlet/Outlet Size | 1/2" | 1/2" |
| Part Number | <input type="checkbox"/> 1-685 | <input type="checkbox"/> 1-703 |
| Image | | |

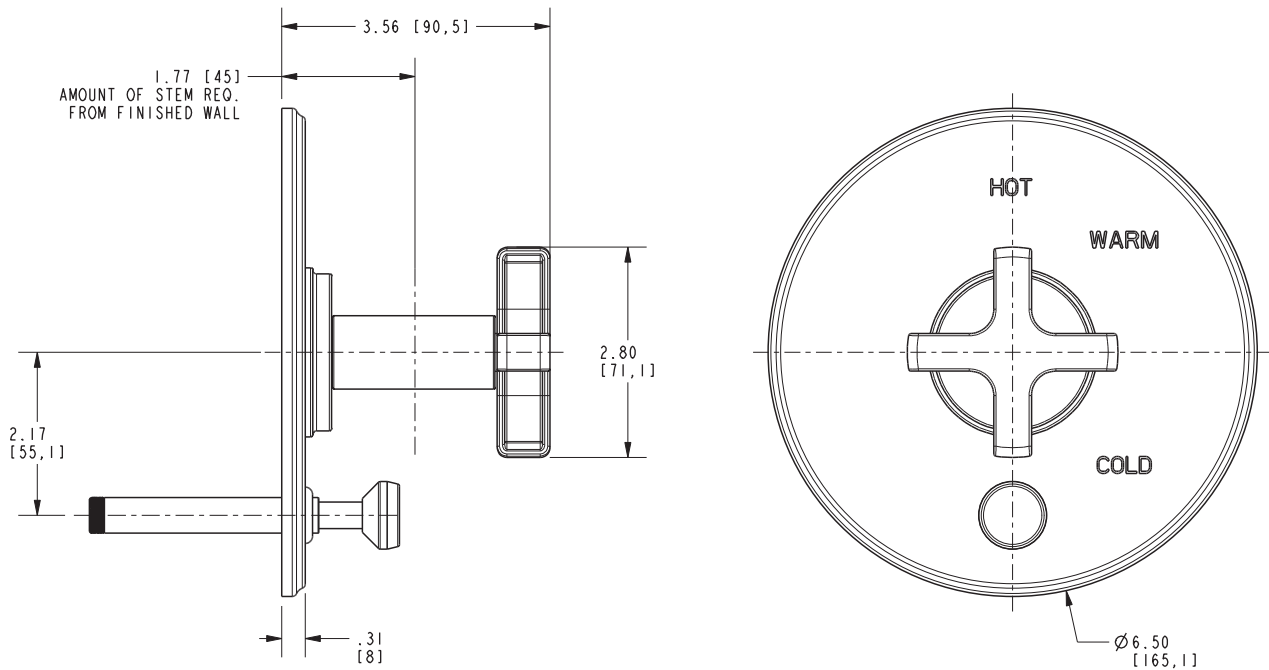
Product Specification: Add size designator and "Color / Finish" suffix to Model number, below.

The single-control Tub and Shower Trim (less tub spout, showerhead, arm & flange) shall be made of solid brass construction. Tub and Shower Trim shall include faceplate with diverter pull-knob and ADA compliant handle. Shower System Control Valve Trim(s) (Escutcheon/Handle) shall be ADA compliant when used with specified Shower System Control Valve. Tub and Shower Trim (less tub spout, showerhead, arm & flange) shall be Newport Brass Model 5-3282BP/_____ and single-control Tub and Shower rough valve shall be Newport Brass Model 1-685. [Optional Shower System Control Valve Trim (Escutcheon/Handle) shall be 3-649/_____ and Shower System Control Valve shall be 1-703].

5-3282BP

PRODUCT DIMENSIONS *(Units are in inches)*

Product Dimensions are provided for reference only. For specific product installation guidelines, please reference the Installation Instructions of the product being installed.



Griffey Tub and Shower Trim 5-3282BP