

**Features**

- Solid brass construction
- Two-post design
- Complements Astor product series
- ADA Compliant

**Grab Bar**  
**920-3912**

Also 920-3916, 920-3918, 920-3924, 920-3932, 920-3936



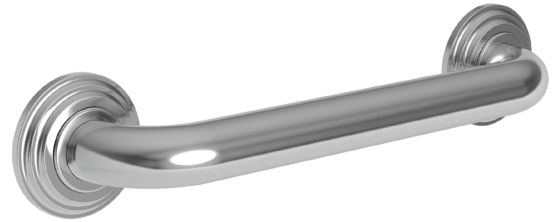
**Codes / Standards Compliance**

Meets or exceeds the following at date of manufacture:

- ADA & ICC/ANSI A117.1
- All applicable US Federal and State material regulations

**Colors / Finishes**

- 10B: Oil Rubbed Bronze
- 15: Polished Nickel
- 15S: Satin Nickel - PVD
- 26: Polished Chrome
- Other: Refer to the Newport Brass catalog for additional color/finish options.



**Specified Model**

Model	Description	Colors   Finishes				
920-3912	12" Grab Bar	<input type="checkbox"/> 10B	<input type="checkbox"/> 15	<input type="checkbox"/> 15S	<input type="checkbox"/> 26	<input type="checkbox"/> Other
920-3916	16" Grab Bar	<input type="checkbox"/> 10B	<input type="checkbox"/> 15	<input type="checkbox"/> 15S	<input type="checkbox"/> 26	<input type="checkbox"/> Other
920-3918	18" Grab Bar	<input type="checkbox"/> 10B	<input type="checkbox"/> 15	<input type="checkbox"/> 15S	<input type="checkbox"/> 26	<input type="checkbox"/> Other
920-3924	24" Grab Bar	<input type="checkbox"/> 10B	<input type="checkbox"/> 15	<input type="checkbox"/> 15S	<input type="checkbox"/> 26	<input type="checkbox"/> Other
920-3932	32" Grab Bar	<input type="checkbox"/> 10B	<input type="checkbox"/> 15	<input type="checkbox"/> 15S	<input type="checkbox"/> 26	<input type="checkbox"/> Other
920-3936	36" Grab Bar	<input type="checkbox"/> 10B	<input type="checkbox"/> 15	<input type="checkbox"/> 15S	<input type="checkbox"/> 26	<input type="checkbox"/> Other

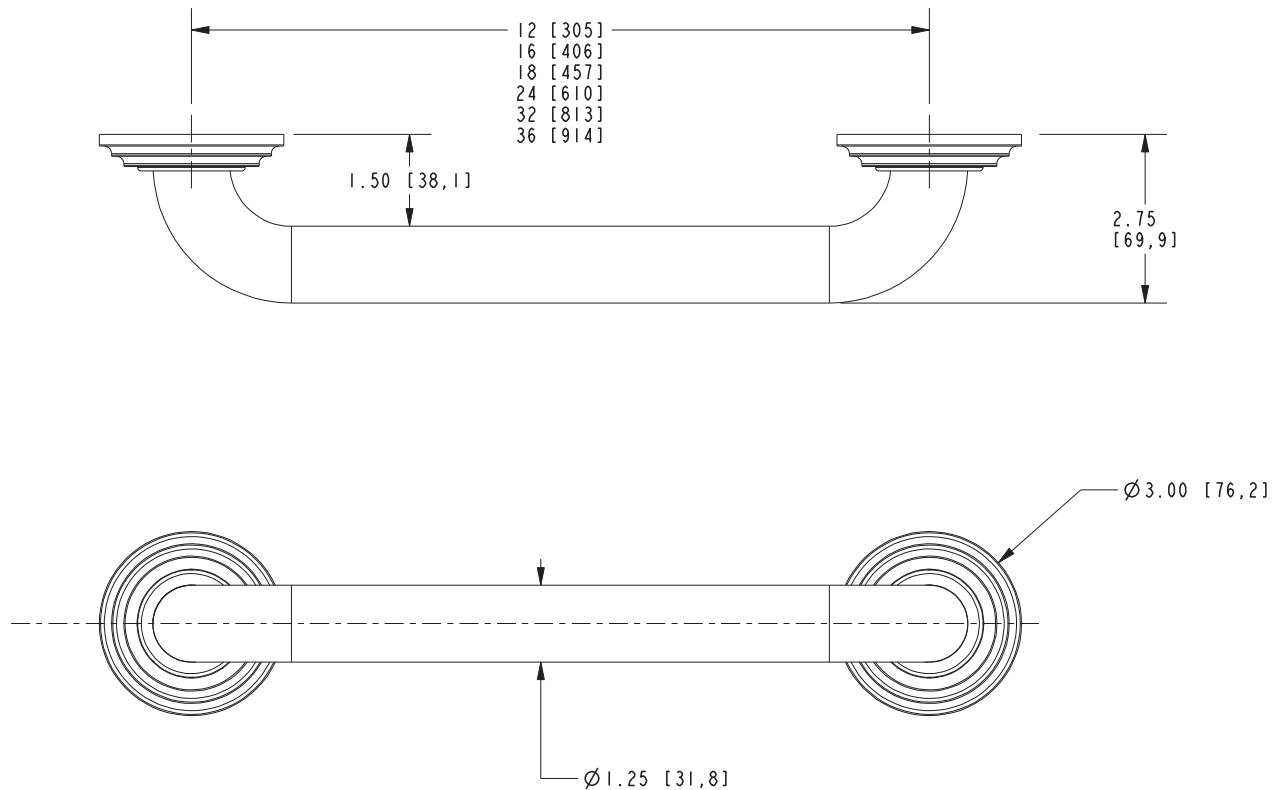
**Product Specification** Add "Color / Finish" suffix to Model number, below.

The Grab Bar shall be made of solid brass construction. Grab Bar shall complement Newport Brass Astor product series. Grab Bar shall be Newport Brass Model 920-39\_\_\_/\_\_\_ .

# 920-3912

## PRODUCT DIMENSIONS *(Units are in inches)*

Product Dimensions are provided for reference only. For specific product installation guidelines, please reference the Installation Instructions of the product being installed.



**Astor Grab Bar**  
**920-3912**