

**Features**

- Solid brass construction
- Bridge-style brass valve bodies
- Quarter-turn washerless ceramic disc valve cartridges
- Swivel spout assembly
- Solid brass pull-out sidespray assembly
- 6.52" (16.6 cm) spout height at outlet
- 8.51" (21.6 cm) min. to 10.38" (26.4 cm) max. spout reach (c-c)
- For 8.00" (20.3 cm) centers - Maximum 9.62" (24.4 cm)
- ADA Complaint (Handles Only)
- 1.8 GPM (6.8 LPM) Max

**9451-1**



**Codes / Standards Compliance**

Meets or exceeds the following at date of manufacture:

- ASME A112.18.1/CSA B125.1
- IAMPO/cUPC
- NSF/ANSI/CAN 61, SECTION 9
- NSF/ANSI 372
- IPC
- ADA & ICC/ANSI A117.1 (Handle Only)
- Energy Policy Act of 1992
- California Energy Commission
- ASME A112.18.3 (Back Flow)
- All applicable US Federal and State material regulations



**Colors / Finishes**

- 10B: Oil Rubbed Bronze
- 15: Polished Nickel
- 15S: Satin Nickel - PVD
- 26: Polished Chrome
- Other: Refer to the Newport Brass catalog for additional color/finish options.

**Specified Model**

Model	Description	Colors   Finishes
9451-1	Bridge Style Kitchen Faucet with Sidespray	<input type="checkbox"/> 10B <input type="checkbox"/> 15 <input type="checkbox"/> 15S <input type="checkbox"/> 26 <input type="checkbox"/> Other

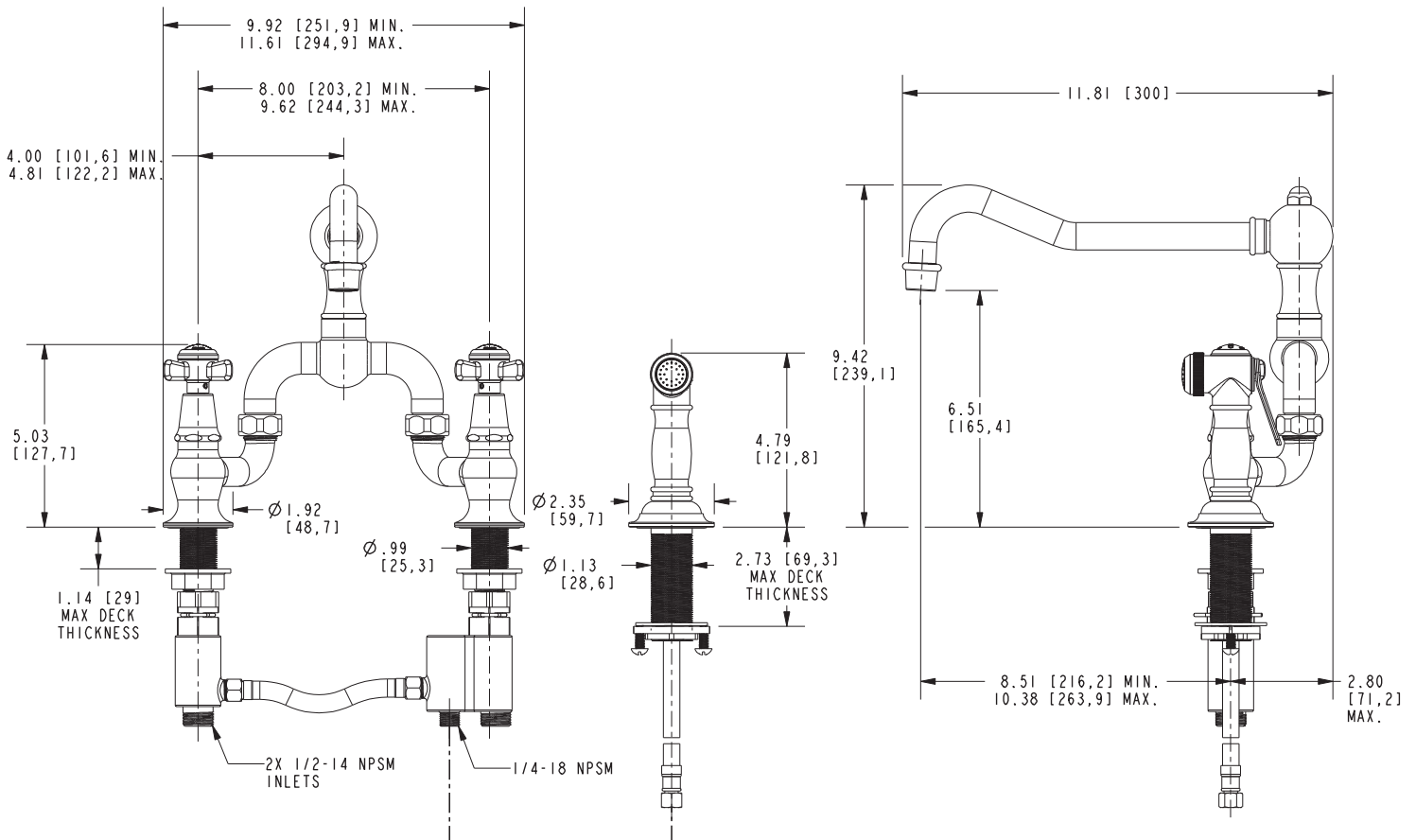
**Product Specification** Add "Color / Finish" suffix to Model number, below.

The Bridge Style Kitchen Faucet with Sidespray shall be made of solid brass construction. Faucet shall incorporate a swivel spout assembly with integral side-spray diverter assembly and feature bridge-style brass valve bodies with quarter-turn washerless ceramic disc valve cartridges. Faucet shall have a 1.8 gallons (6.8 liters) per minute maximum flow rate. Product shall be for 8.00" (20.3 cm) centers - Maximum 9.62" (24.4 cm). Product shall incorporate a 6.52" (16.5 cm) spout height at outlet and an 8.51" (21.6 cm) min. to 10.38" (26.4 cm) max. spout reach (c-c). Faucet shall incorporate traditional cross handles. Bridge-Style Kitchen Faucet with Sidespray shall be Newport Brass Model 9451-1/\_\_\_\_.

# 9451-1

## PRODUCT DIMENSIONS *(Units are in inches)*

Product Dimensions are provided for reference only. For specific product installation guidelines, please reference the Installation Instructions of the product being installed.



### Fairfield Bridge Style Kitchen Faucet 9451-1