



California Faucets®

Deluxe Angle Stop

Deluxe Angle Stop With Flange and Decorative Handle

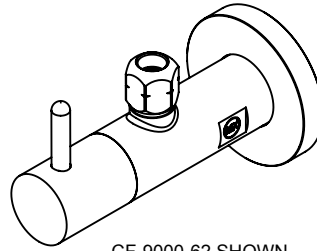
Features

- Quarter turn ceramic disc cartridge
- Use with 1/2" NPT nipple
- 1/2" FIP - inlet
- 3/8" OD compression - outlet
- Replace "XX" with desired handle series
- All brass construction
- Over 28 finishes including 13 PVD finishes

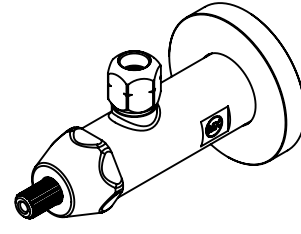
CF-9000-XX
CF-9000-62

Codes/Standards Applicable

- Product meets or exceeds the following:
- ASME A112.18.1/CSA B125.1
 - ADA compliant (with lever handles)



CF-9000-62 SHOWN

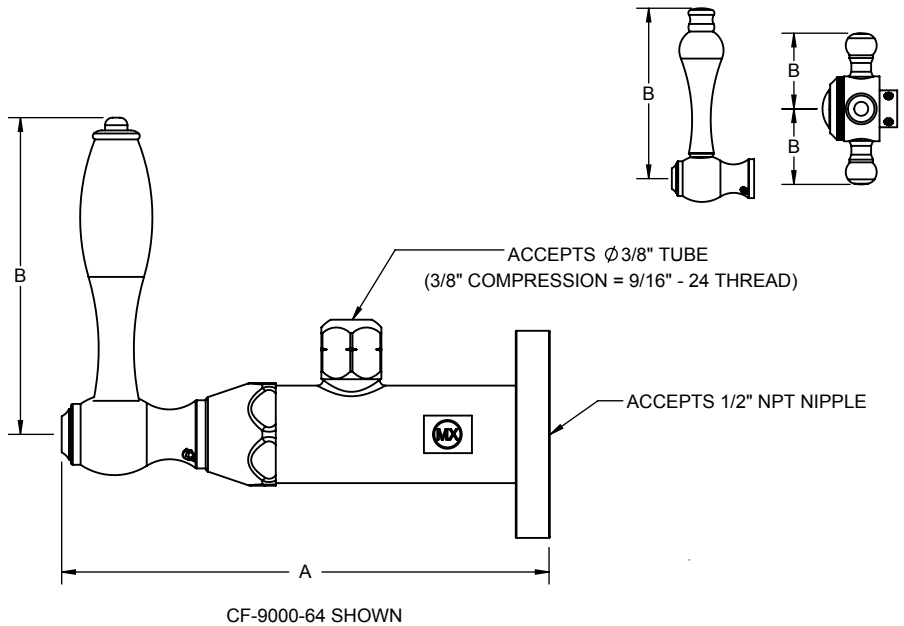


CF-9000-XX SHOWN
where "XX" represents handle options

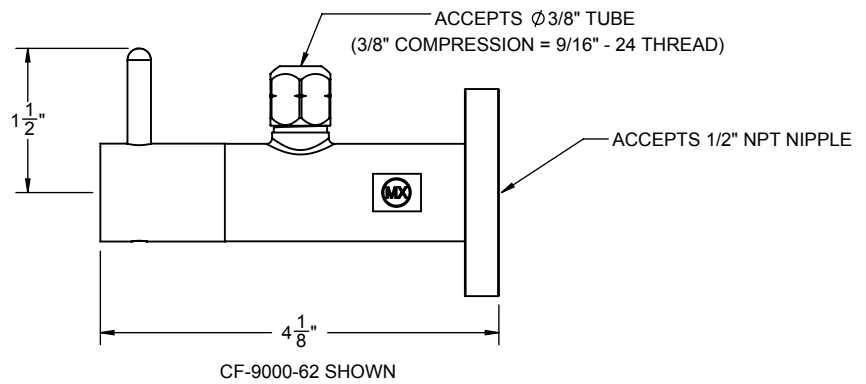
XX = DENOTES
HANDLE STYLE

CF-9001-XX-ZZ		
HANDLE	A	B
30K	5 1/16"	3 1/8"
30XF	4 9/16"	1 1/2"
30XK	4 9/16"	1 1/2"
30F	5 1/16"	3 1/8"
33	5 1/16"	3 1/8"
34	5 1/16"	1 1/8"
35	4 13/16"	3 1/2"
36	4 13/16"	3 1/8"
42	5 1/16"	3 1/8"
44	4 13/16"	2 15/16"
45	4 9/16"	3"
45X	4 1/2"	1 3/8"
46	5 1/16"	3 7/8"
47	5 15/16"	1 3/8"
48	4 5/8"	3 1/8"
48X	4 5/8"	1 1/2"
55	5 1/16"	3 5/16"
59	5 3/8"	3"
60	4 3/4"	1 5/16"
62*	4 1/8"	1 1/2"
63	5"	1 3/8"
64	5 1/16"	3 5/16"
65	4 3/4"	1 3/8"
66	4 7/8"	2 1/4"
67	5 1/16"	1 3/8"
68	4 13/16"	3 5/16"
69	4 13/16"	3 1/2"
70	4 3/8"	2 3/4"
71	5 1/4"	1 7/8"
72	5 1/4"	1 1/4"
74	5 1/16"	3"
77	4 3/16"	2 3/4"
77R	4 15/16"	1"
E3	4 1/2"	2 3/4"
E4	4 9/16"	2 3/4"

* = The 62 series is the only handle that does not use the bonnet.

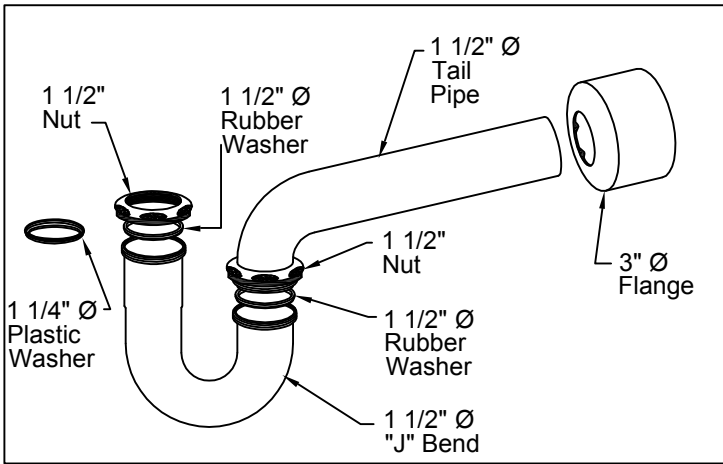


CF-9000-64 SHOWN

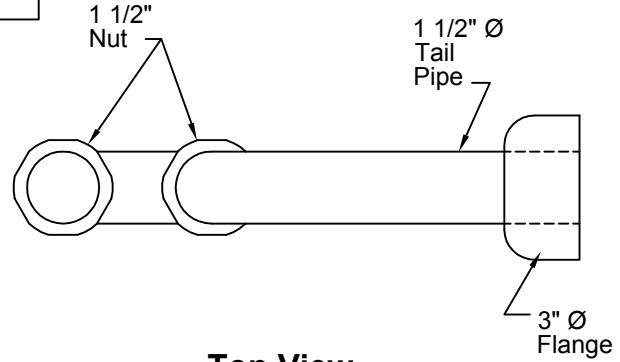


CF-9000-62 SHOWN

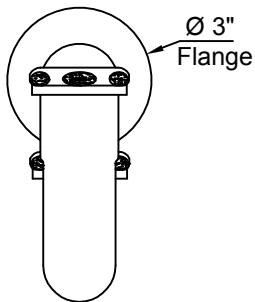
SUPPLY LINE STUB-OUT
MIN : 3/16"
MAX : 9/16"



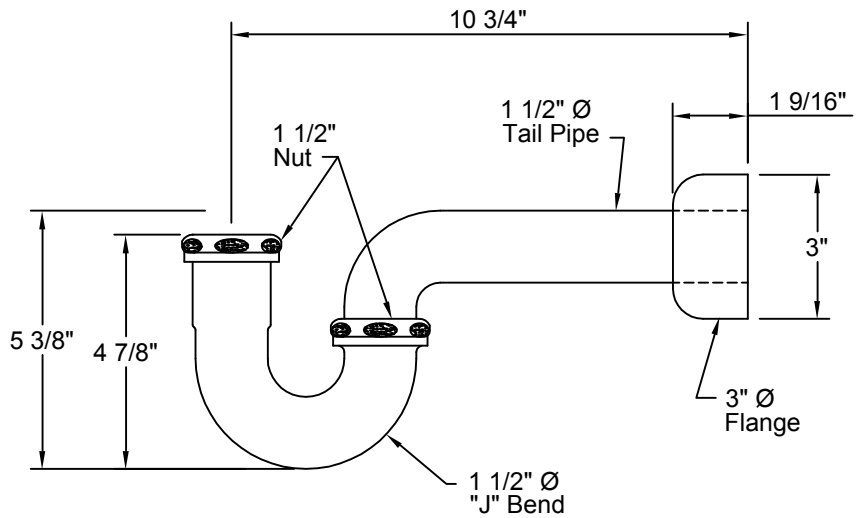
Isometric View



Top View



Front View



Side View


California Faucets®
 info@calfaucets.com
 www.calfaucets.com

FIXTURE: Trap Kit	
MODEL #: 9075	
DWG NO: .	REV:

REVISIONS	REV DATE	STARTING DATE: June 14, 2005
		APPRVD DATE:
		APPRVD BY:
		SCALE: None
		DRAWN BY: William Linares william@calfaucets.com