



California Faucets®

# Terra Mar™

## WALL LAVATORY

### CF-TO-V7802R-7

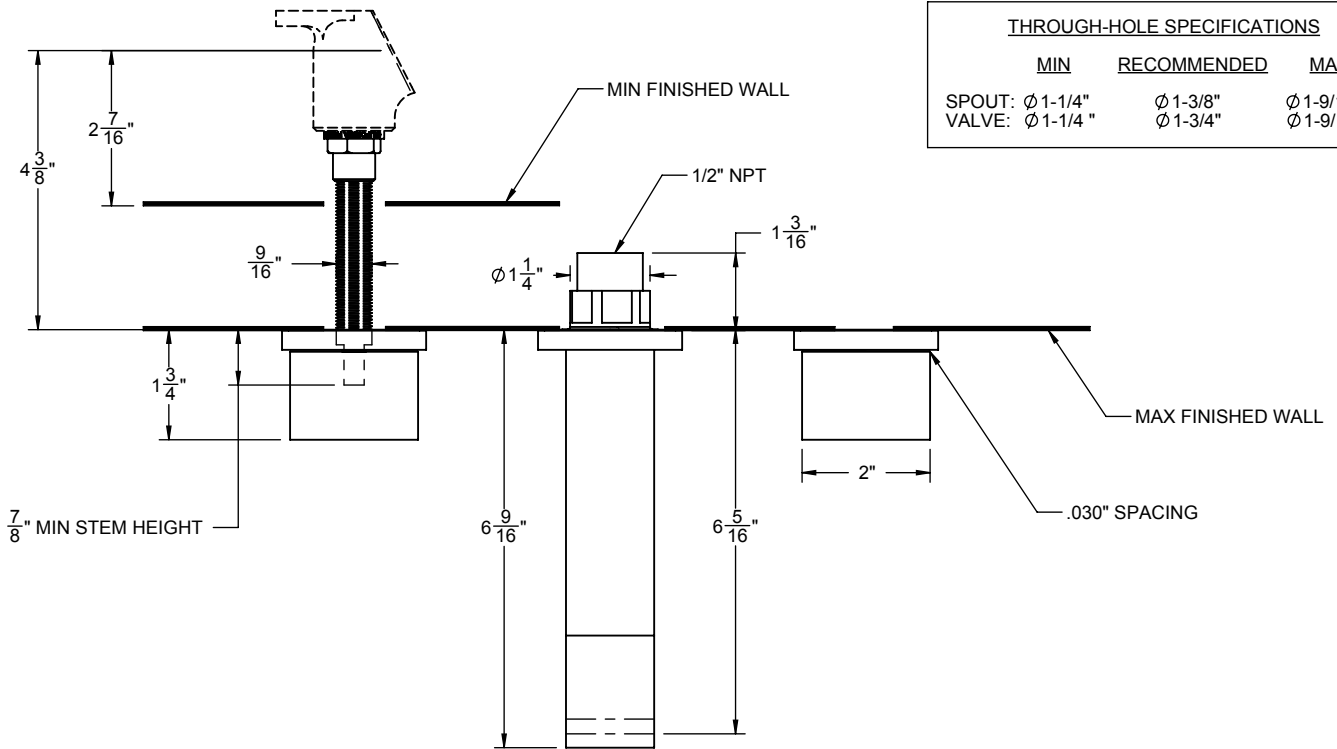
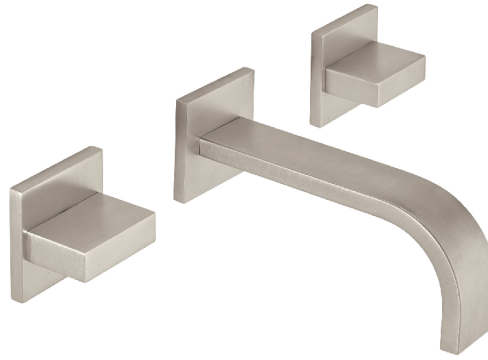
#### Features

- 6-5/16" spout wall to center
- 1.2 gpm (4.5 L/min) max flow rate
- Rough Valve (CF-VL-R) sold separately
- All brass construction
- Over 30 finishes including 15 PVD finishes

#### Codes/Standards Applicable

Product meets or exceeds the following:

- ASME A112.18.1/CSA B125.1
- NSF/ANSI 61 & NSF/ANSI 372
- CEC / DOE
- EPA WaterSense High Efficiency Lavatory
- Commonwealth of MA



THROUGH-HOLE SPECIFICATIONS		
MIN	RECOMMENDED	MAX
SPOUT: Ø 1-1/4"	Ø 1-3/8"	Ø 1-9/16"
VALVE: Ø 1-1/4"	Ø 1-3/4"	Ø 1-9/16"

