



California Faucets®

Bel Canto™

WALL LAVATORY

CF-TO-VE302C-7

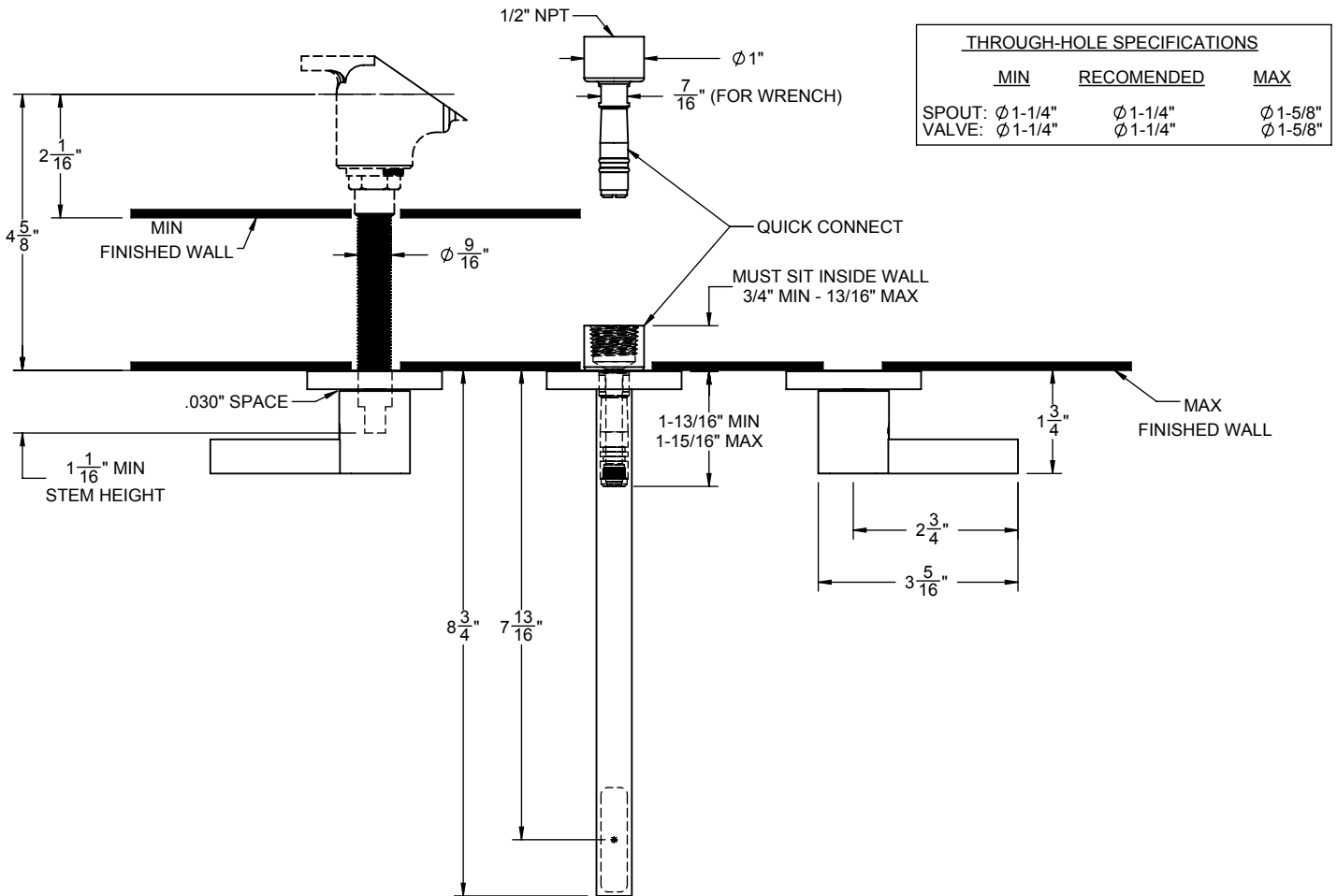
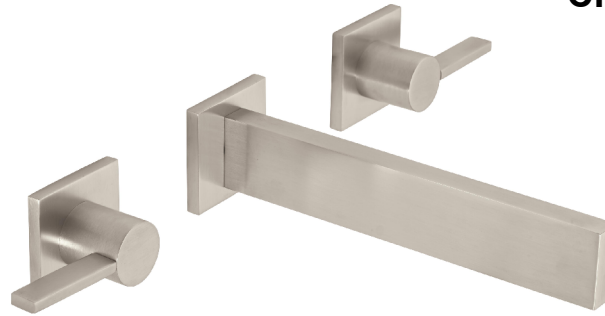
Features

- 7-13/16" wall to center of flow
- 1.2 gpm (4.5 L/m) max flow rate
- Rough valve (CF-VL-R) sold separately
- All brass construction
- Over 30 finishes including 13 PVD finishes

Codes/Standards Applicable

Meets or exceeds the following:

- ASME A112.18.1/CSA B125.1
- NSF/ANSI 61 & NSF/ANSI 372
- CEC / DOE
- EPA WaterSense High Efficiency Lavatory
- Commonwealth of MA
- ADA compliant



THROUGH-HOLE SPECIFICATIONS		
MIN	RECOMENDED	MAX
SPOUT: Ø 1-1/4"	Ø 1-1/4"	Ø 1-5/8"
VALVE: Ø 1-1/4"	Ø 1-1/4"	Ø 1-5/8"

