



California Faucets®

Pot Filler

Contemporary Dual Handle Wall Mount

K51-201-XX

Features

- Available in 28 finishes including 13 PVD finishes
- All brass construction
- 1/4 turn ceramic disc cartridge(s)
- Dual jointed swing spout
- 1/2" FIP inlet for quick connect
- Max flow rate: 4.0 gpm (15.1 L/min) at 60 psi



K51-201-65 shown

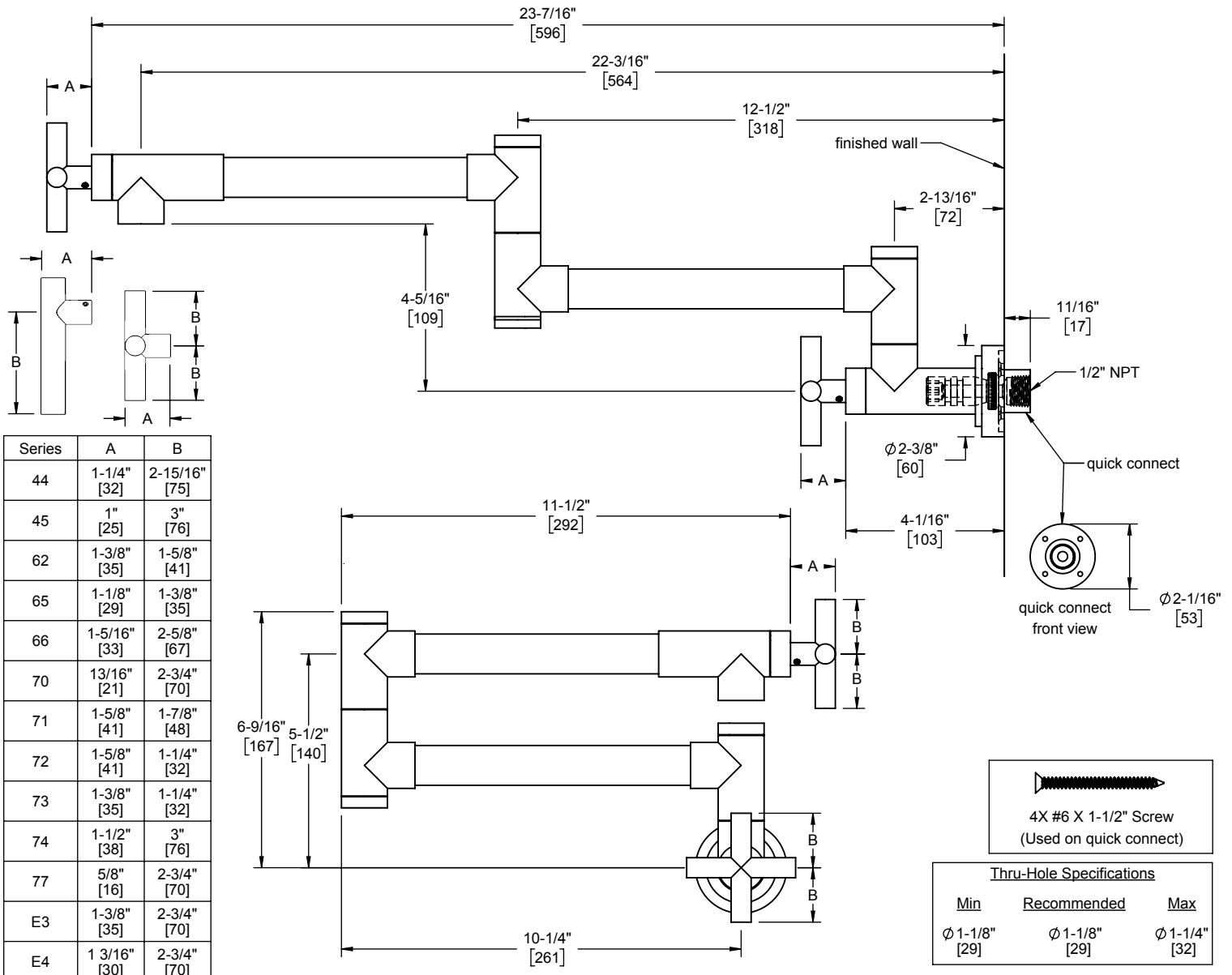


XX = Series Handle

Codes/Standards Applicable

Product meets or exceeds the following:

- ASME A112.18.1/CSA B125.1
- NSF 61, NSF 372
- Commonwealth of MA
- ADA compliant (Lever handles only)



Specifications subject to change without notice

Dimensions are inches, rounded to 1/16"
[Dimensions in brackets are mm, rounded to 1mm]