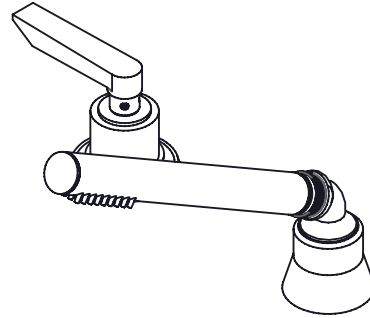




### Features

- Available in 28 finishes including 13 PVD finishes
- All brass construction
- Handshower: 1/2" MIP inlet with self-clean rubber jets
- Handshower: max flow rate:  
2.0 gpm (7.6 L/m)  
1.8 gpm (6.8 L/m)
- Handshower elbow: 1/2" FIP swivel nut with 1/2" MIP inlet
- Hose: 84" Black poly braided hose. Provides durable, quiet & no damage to trim finish during operation
- Anti-siphon diverter valve (DDV-R) sold separately

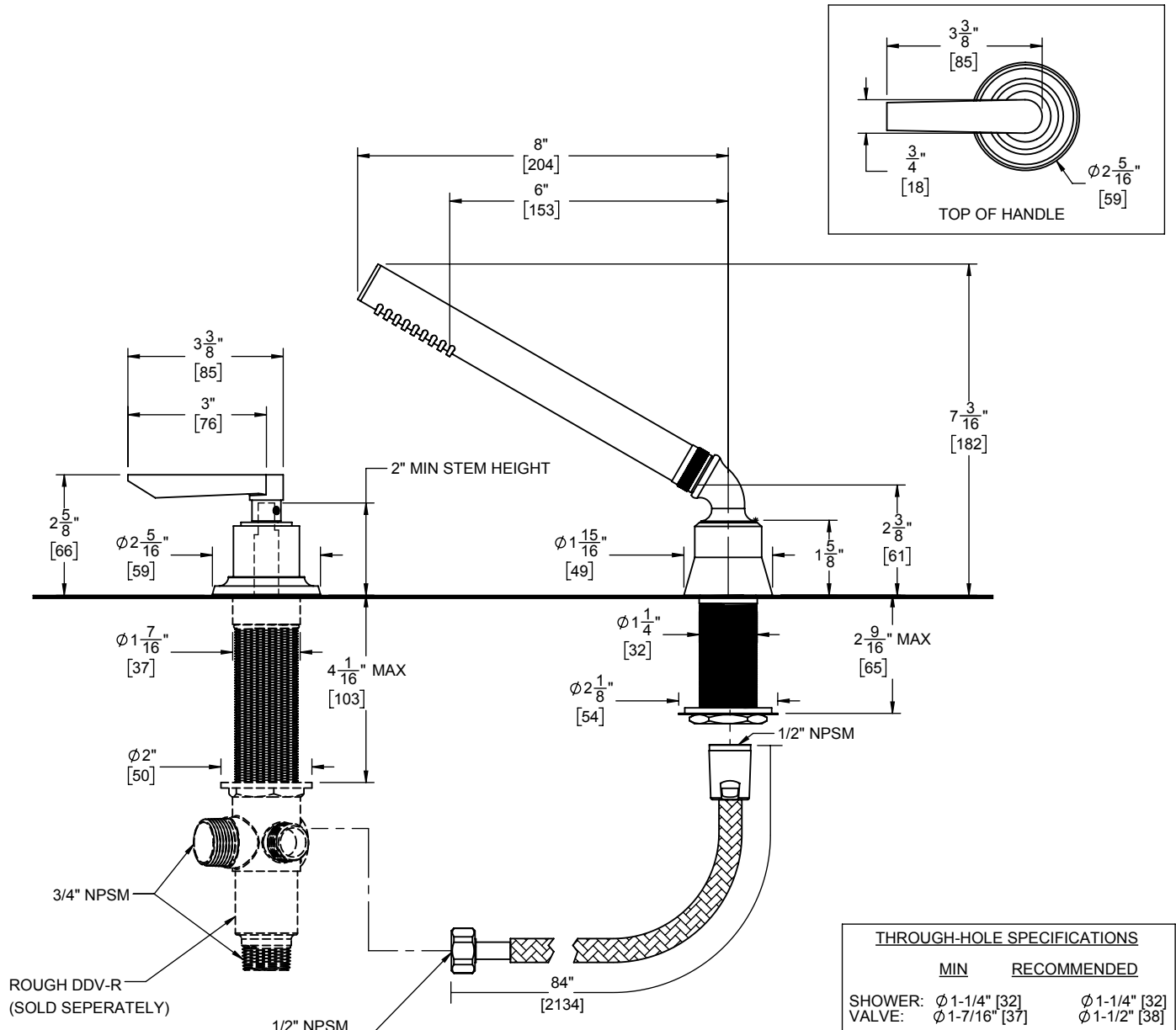
TO-45.62.18  
TO-45.62.20



### Codes/Standards Applicable

Meets or exceeds the following at date of manufacture:

- ASME A112.18.1/CSA B125.1
- CEC (2.0 gpm)
- EPA WaterSense handshower (2.0 gpm)



THROUGH-HOLE SPECIFICATIONS			
	MIN	RECOMMENDED	
SHOWER:	Ø 1-1/4" [32]	Ø 1-1/4" [32]	Ø 1-1/2" [38]
VALVE:	Ø 1-7/16" [37]	Ø 1-1/2" [38]	Ø 1-1/2" [38]

DIMENSIONS SHOWN TO NEAREST 1/16"  
[DIMENSIONS SHOWN TO NEAREST 1mm]