



California Faucets®

CHRISTOPHERGRUBB Collection

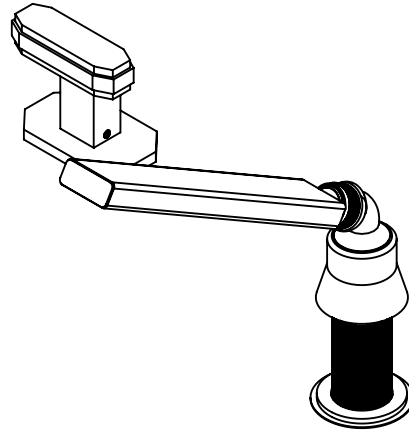
Doheny™

Roman Tub Handshower & Diverter Trim

Features

- Available in 28 finishes including 13 PVD finishes
- All brass construction
- Handshower: 1/2" MIP inlet with self-clean rubber jets
- Max flow rate: 2.0 gpm (7.6 L/min) or 1.8 gpm (6.8L/min)
- Handshower elbow: 1/2" FIP swivel nut with 1/2" MIP inlet
- Hose: 84" black poly braided hose. Provides durable & quiet operation while not damaging trim finish
- Diverter valve (DDV-R) sold separately

TO-C2.72.18
 TO-C2.72.20
 TO-C2B.72.18
 TO-C2B.72.20



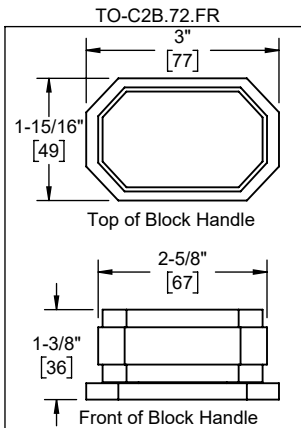
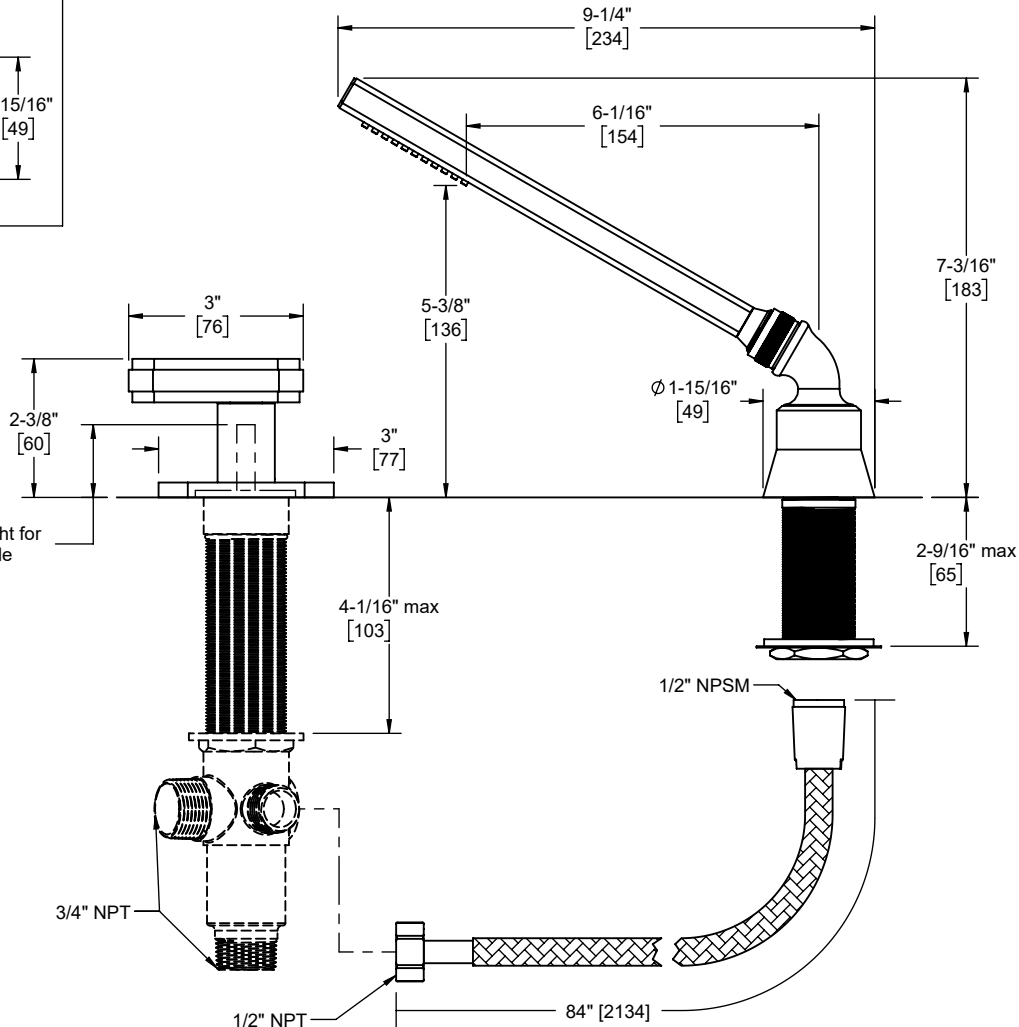
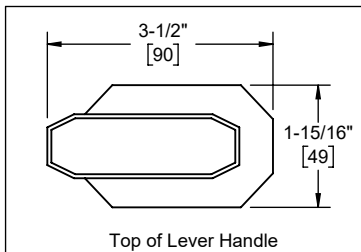
TO-C2.72.FR shown



Codes/Standards

Product meets or exceeds the following:

- ASME A112.18.1/CSA B125.1
- CEC (1.8 gpm) / DOE (1.8 & 2.0 gpm)
- Commonwealth of MA
- ADA compliant (Lever Only)



Through-Hole Specifications			
	Min	Recommended	Max
Shower:	Ø 1-1/4" [32]	Ø 1-1/4" [32]	Ø 1-13/16" [46]
Valve:	Ø 1-7/16" [37]	Ø 1-1/2" [38]	Ø 1-3/4" [44]

Dimensions are inches, rounded to 1/16"
 [Dimensions in brackets are mm, rounded to 1mm]

Specifications subject to change without notice