



California Faucets®

CHRISTOPHERGRUBB Collection

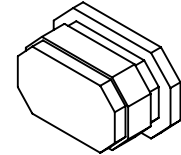
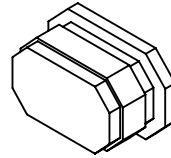
Doheny™

2 Handle Tub or Shower Trim

TO-C206BL

Features

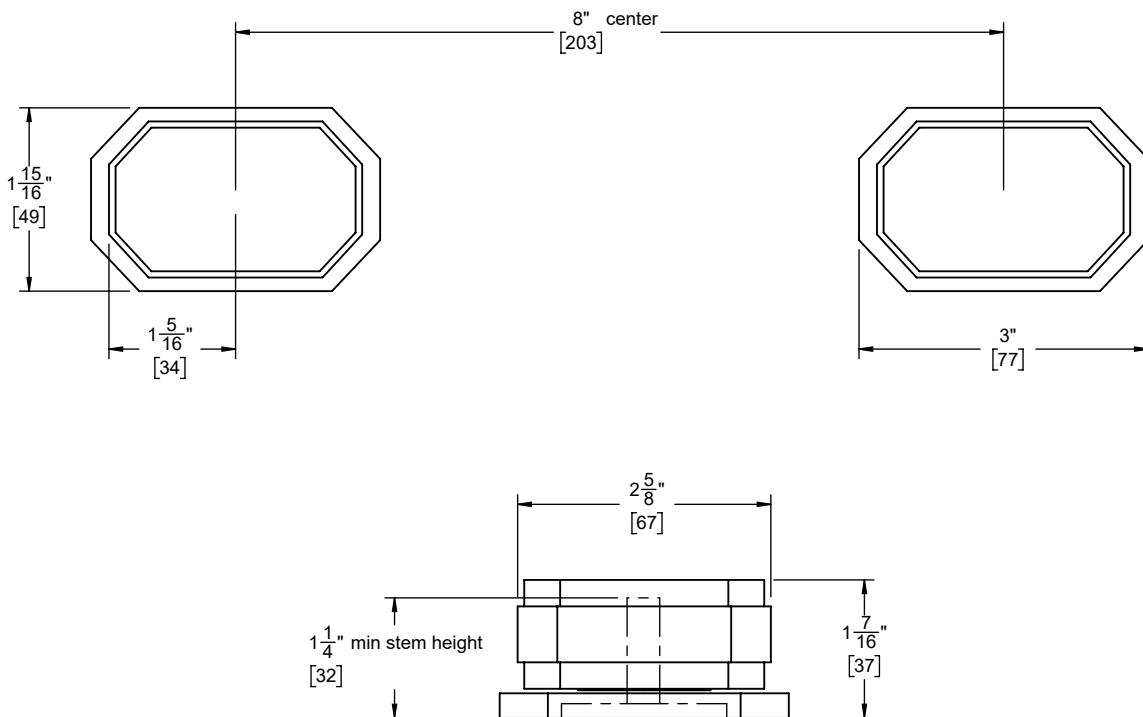
- Available in 28 finishes including 13 PVD finishes
- All brass construction
- Less head, arm, flange, and spout
- Requires rough-in (2-VR) sold separately



Codes/Standards

Product meets or exceeds the following:

- ASME A112.18.1/CSA B125.1



Through-Hole Specifications

	Min	Recommended	Max
Valve:	$\phi 1\text{-}1/8"$ [24]	$\phi 1\text{-}3/8"$ [32]	$\phi 1\text{-}5/8"$ [41]

Dimensions are inches, rounded to 1/16"
[Dimensions in brackets are mm, rounded to 1mm]

Specifications subject to change without notice