



California Faucets®

StyleTherm®

1/2" Thermostatic w/ single volume control Trim Only

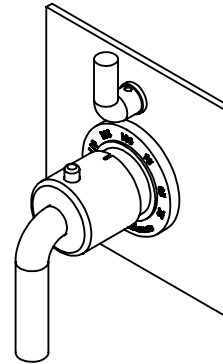
Features

- All brass construction
- Engraved brass temperature ring
- Square flat faceplate
- 100° F safety stop button with manual override
- Handles to match all California Faucets series
- Over 30 finishes including 15 PVD finishes

Codes/Standards Applicable

Specified model meets or exceeds the following:

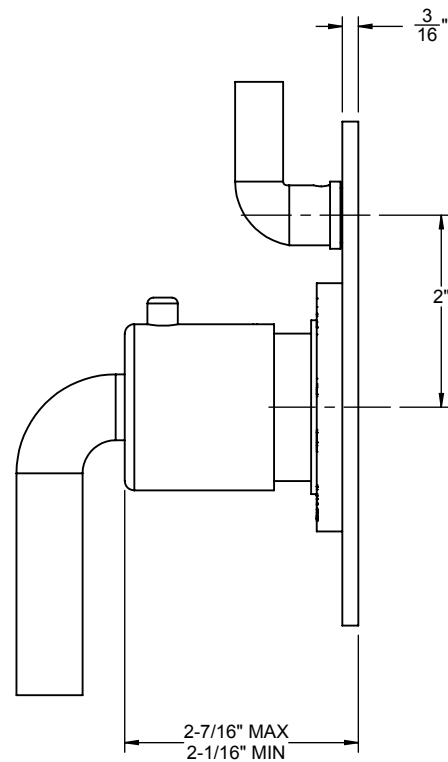
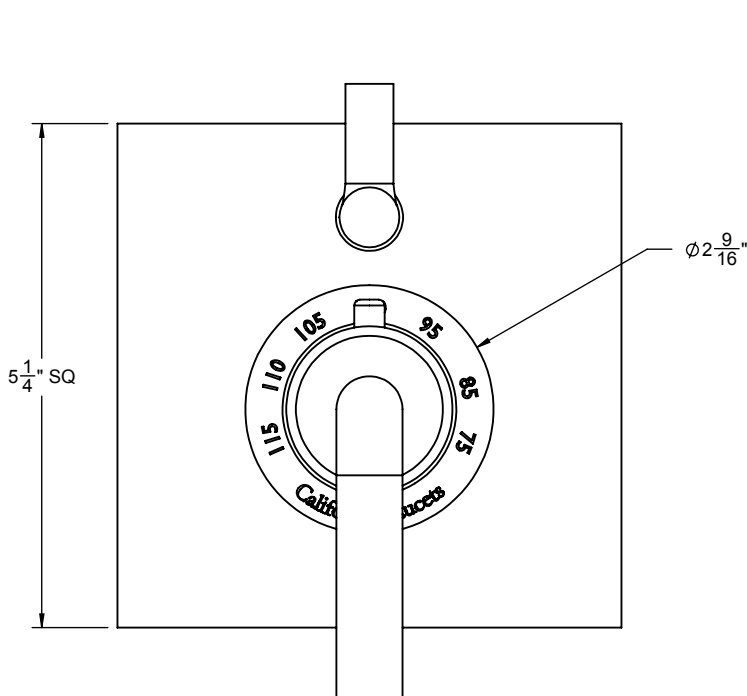
- ASME A112.18.1-2005/CSA B125.1-05
- ASSE 1016
- ADA (with lever handles)



TO-THF1L-XX

*TO-THF1L-74 SHOWN

XX = Series Handle



ALL DIMENSIONS SHOWN TO NEAREST 1/16"