



California Faucets®

Descanso®

WALL LAVATORY

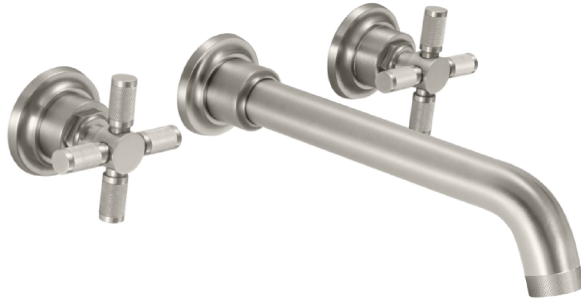
Features

- Over 28 finishes including 13 PVD finishes
- All brass construction
- 1.2 gpm (4.5 L/min) max flow rate
- Rough valve (CF-VL-R) sold separately

Codes/Standards

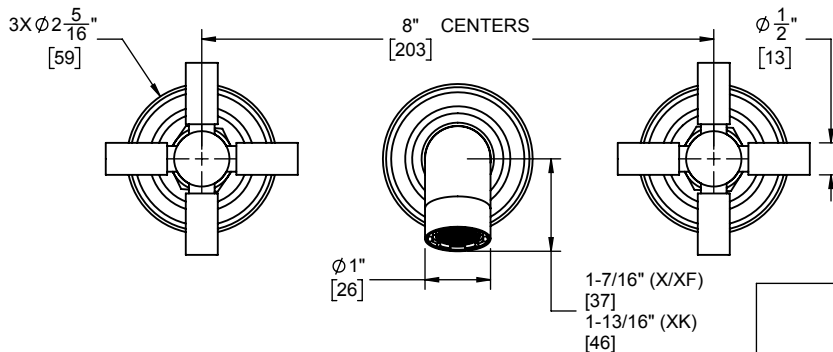
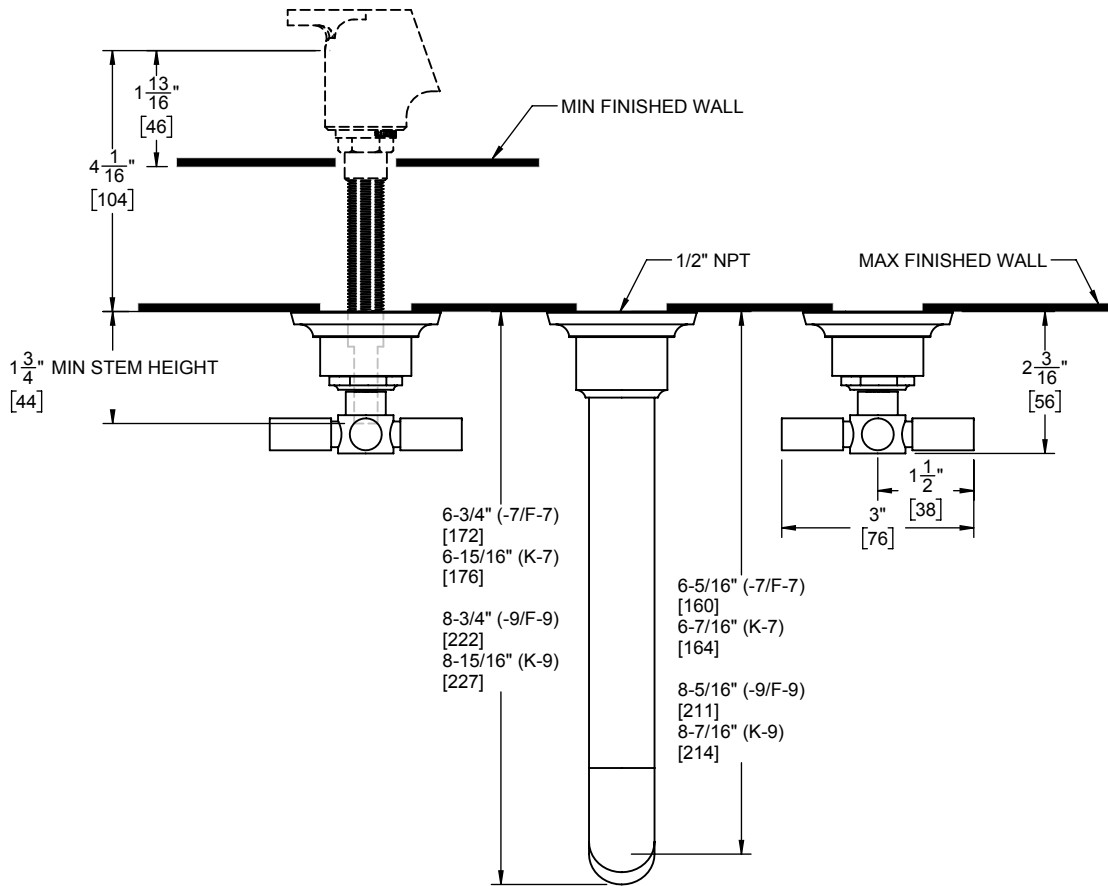
Product meets or exceeds the following:

- ASME A112.18.1/CSA B125.1
- NSF/ANSI 61 & NSF/ANSI 372
- CEC & DOE
- Commonwealth of MA
- EPA WaterSense High Efficiency Lavatory



TO-V3002XK-9

TO-V3002X-7/9
TO-V3002XK-7/9
TO-V3002XF-7/9



THROUGH-HOLE SPECIFICATIONS		
MIN	RECOMMENDED	MAX
SPOUT: $\phi 1$ " [25]	$\phi 1\text{-}1/4$ " [32]	$\phi 1\text{-}15/16$ " [49]
VALVE: $\phi 1\text{-}1/4$ " [32]	$\phi 1\text{-}1/4$ " [32]	$\phi 1\text{-}15/16$ " [49]

SPECIFICATIONS SUBJECT TO CHANGE WITHOUT NOTICE

DIMENSIONS SHOWN TO NEAREST 1/16"
 [DIMENSIONS SHOWN TO NEAREST 1mm]