

California Faucets®

**Terra Mar**®

WALL LAVATORY

TO-V7802-7

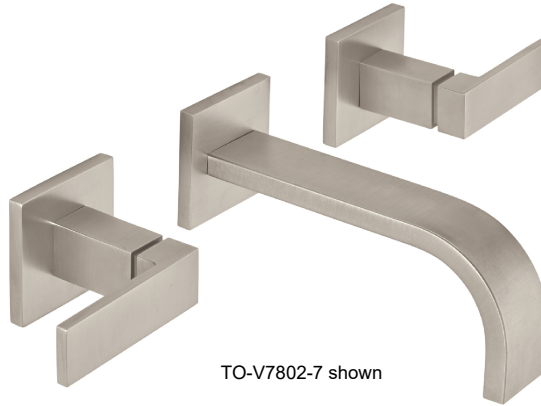
**Features**

- Over 28 finishes including 13 PVD finishes
- All brass construction
- 1.2 gpm (4.5 L/min) max flow rate
- Rough Valve (CF-VL-R) sold separately

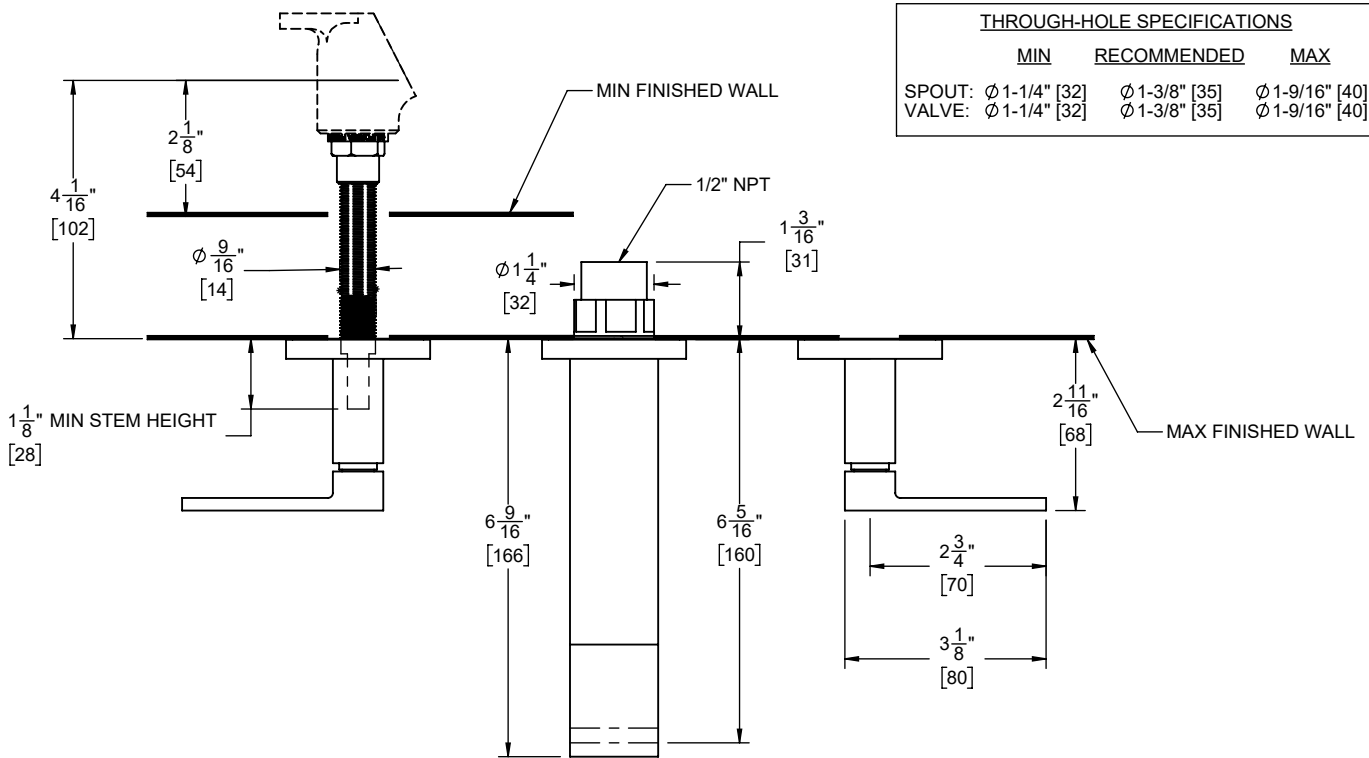
**Codes/Standards Applicable**

Product meets or exceeds the following:

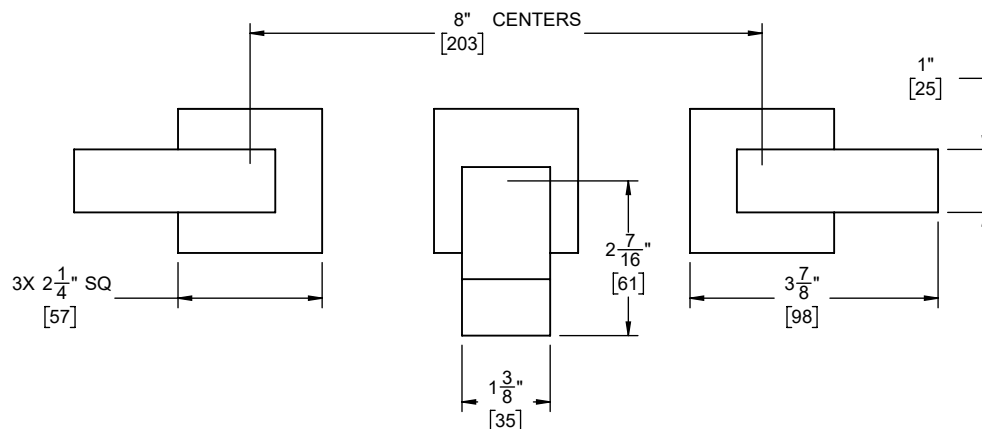
- ASME A112.18.1/CSA B125.1
- NSF/ANSI 61 & NSF/ANSI 372
- CEC / DOE
- Commonwealth of MA
- EPA WaterSense High Efficiency Lavatory
- ADA compliant



TO-V7802-7 shown



THROUGH-HOLE SPECIFICATIONS			
	MIN	RECOMMENDED	MAX
SPOUT:	Ø 1-1/4" [32]	Ø 1-3/8" [35]	Ø 1-9/16" [40]
VALVE:	Ø 1-1/4" [32]	Ø 1-3/8" [35]	Ø 1-9/16" [40]



SPECIFICATIONS SUBJECT TO CHANGE WITHOUT NOTICE

DIMENSIONS SHOWN TO NEAREST 1/16"  
[DIMENSIONS SHOWN TO NEAREST 1mm]