



California Faucets®

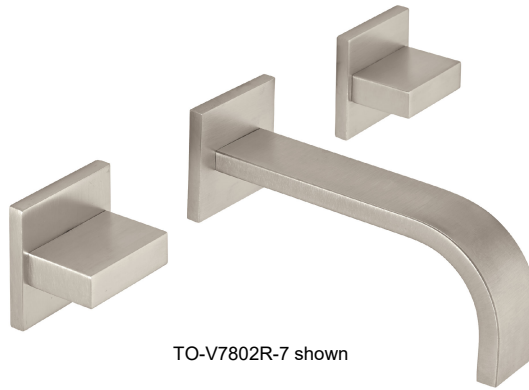
Terra Mar®

WALL LAVATORY

TO-V7802R-7

Features

- Over 28 finishes including 13 PVD finishes
- All brass construction
- 1.2 gpm (4.5 L/min) max flow rate
- Rough Valve (VL-R) sold separately

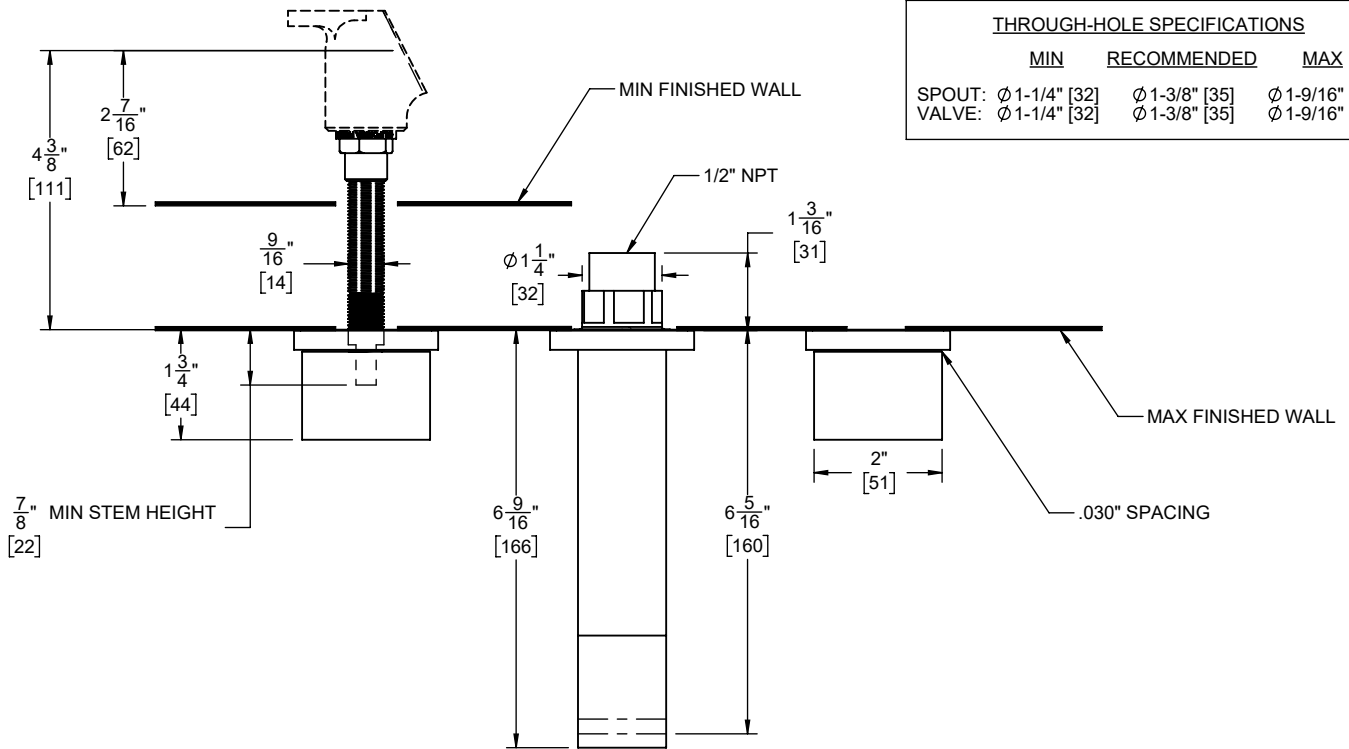


TO-V7802R-7 shown

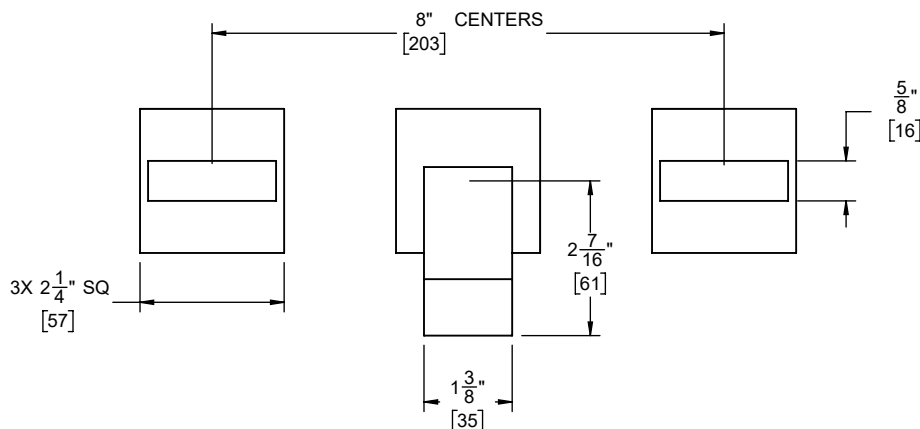
Codes/Standards Applicable

Product meets or exceeds the following:

- ASME A112.18.1/CSA B125.1
- NSF/ANSI 61 & NSF/ANSI 372
- CEC / DOE
- Commonwealth of MA
- EPA WaterSense High Efficiency Lavatory



THROUGH-HOLE SPECIFICATIONS		
MIN	RECOMMENDED	MAX
SPOUT: ∅ 1-1/4" [32]	∅ 1-3/8" [35]	∅ 1-9/16" [40]
VALVE: ∅ 1-1/4" [32]	∅ 1-3/8" [35]	∅ 1-9/16" [40]



SPECIFICATIONS SUBJECT TO CHANGE WITHOUT NOTICE

DIMENSIONS SHOWN TO NEAREST 1/16"
[DIMENSIONS SHOWN TO NEAREST 1mm]