



California Faucets®

CHRISTOPHERGRUBB Collection

# Doheny™

## Widespread Lavatory Faucet

### TO-VC202B-9

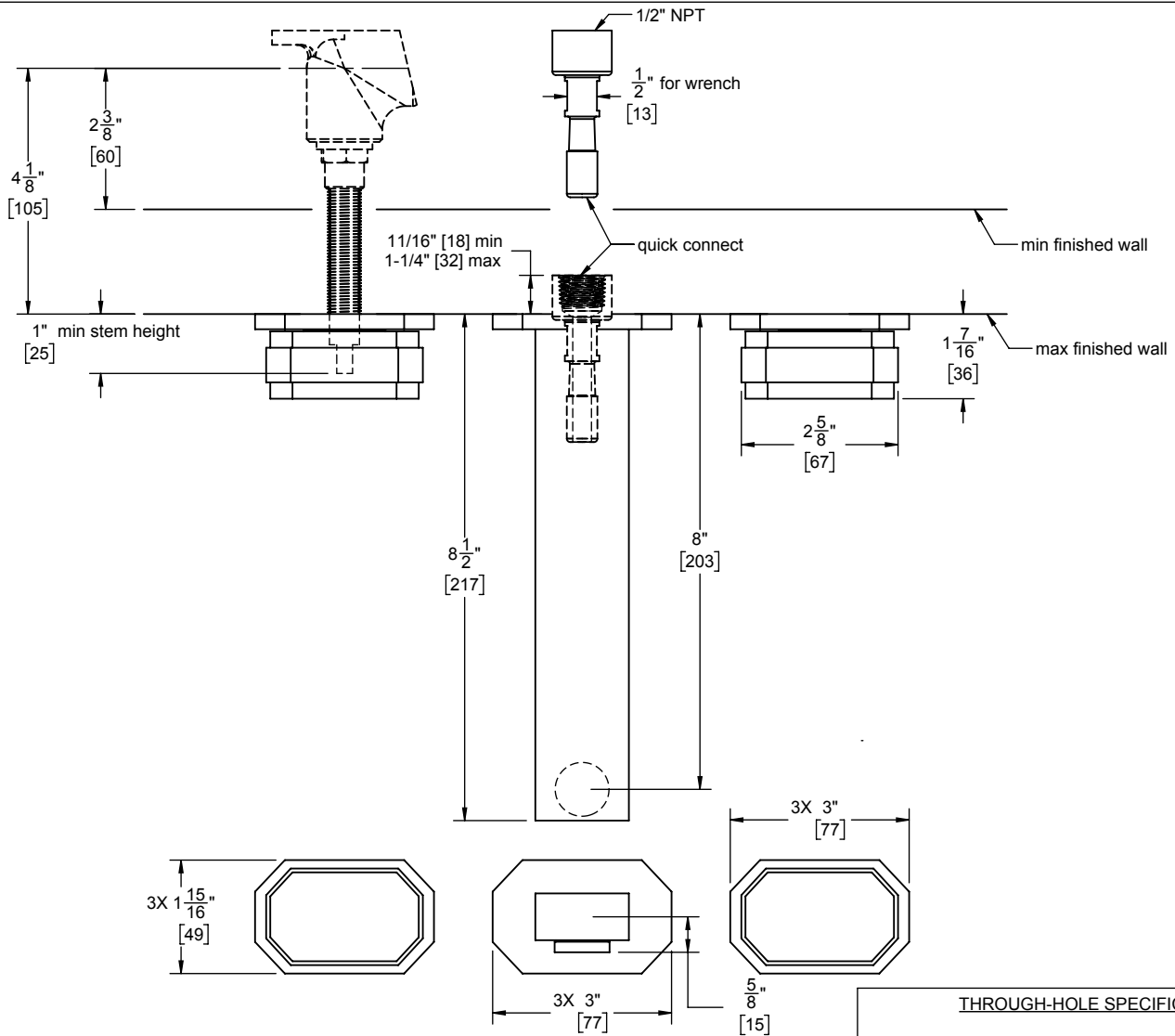
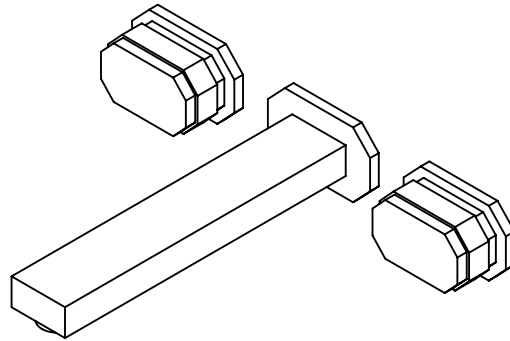
#### Features

- Available in 28 finishes including 13 PVD finishes
- All brass construction
- 1.2gpm (4.5 L/min) max flow rate
- Rough valve (VL-R) sold separately

#### Codes/Standards Applicable

Product meets or exceeds the following:

- ASME A112.18.1/CSA B125.1
- NSF/ANSI 61 & NSF/ANSI 372
- CEC / DOE
- EPA WaterSense High Efficiency Lavatory
- Commonwealth of MA



	MIN	RECOMMENDED	MAX
SPOUT:	Ø 1" [25]	Ø 1-1/4" [32]	Ø 1-11/16" [43]
HANDLE:	Ø 1-1/4" [32]	Ø 1-1/4" [32]	Ø 1-11/16" [43]

Dimensions are inches, rounded to 1/16"  
[Dimensions in brackets are mm, rounded to 1mm]

Specifications subject to change without notice