



Model 584 — Recessed **Bradex**[®]

- 500 Capacity

Product Materials

FLANGE: 22 gauge stainless steel with exposed surfaces in architectural satin finish. One-piece seamless construction, 1" wide with burr-free beveled edges.

CABINET: 22 gauge stainless steel with exposed surfaces in architectural satin finish. Welded construction with burr-free edges.

DOOR: 22 gauge stainless steel with full-length piano hinge and tumbler lock keyed like other Bradley units.

Capacity

500 standard single-fold or half-fold toilet seat covers.

Operation

Front of cabinet door hinged for easy servicing of unit.

Installation

Verify all rough-in dimensions prior to installation. Requires rough wall opening 15³/₄"W x 11³/₈"H x 2³/₄"D. Secure to framing with mounting screws (included) at holes provided. Shim at screw points as required.

Guide Specification

Recessed toilet seat cover dispenser shall be fabricated of 22 gauge stainless steel with exposed surfaces in satin finish. Door with piano hinge and tumbler lock. Capacity 500 toilet seat covers.

Overall dimensions: 17¹/₈"W x 12³/₄"H x 2³/₄"D.

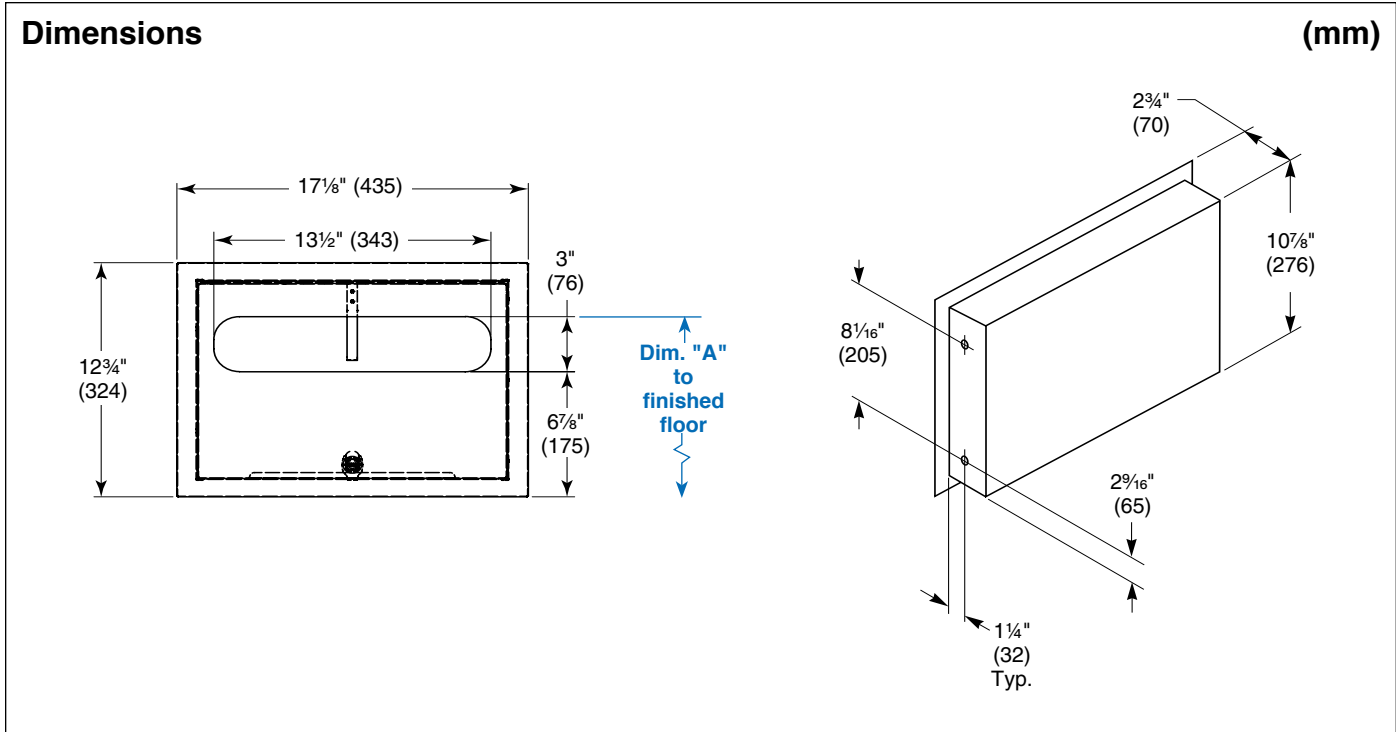


Product Compliance

- ICC ANSI A117.1, Citation 609.3



- Consult local and national accessibility codes for proper installation guidelines.
- Conformity and compliance to local and national codes is the responsibility of the installer.



Dim. "A" Key Surface:	For Dim. "A"	Top of Rough Wall Opening	Bottom of Rough Wall Opening
Top of seat cover opening to finished floor	48" (1219)	49 1/2" (1257)	38 1/8" (968)
	45" (1143)	46 1/2" (1181)	35 1/8" (892)
	42" (1067)	43 1/2" (1105)	32 1/8" (816)
	40" (1016)	41 1/2" (1054)	30 1/8" (765)
Rough wall opening:			
Recessed:	15 3/4" (401) Wide x 11 3/8" (289) High x 2 3/4" (70) Deep		