



- Model 661 – One Soap Valve
- Model 662 – Two Soap Valves

- Shelf-Type Dispenser
- Surface-Mounted
- ADA Compliant

Product Materials

HINGED SHELF: 20 gauge stainless steel with exposed surfaces in architectural satin finish.

RESERVOIR: 20 gauge stainless steel with exposed surfaces in architectural satin finish. Welded seams.

SOAP VALVE: chrome-plated brass housing with ABS plastic mechanism. Requires less than 5 lbs. of force to dispense soap.

Capacity

80-oz. liquid soap.

Operation

Pump-type valve draws liquid soap from bottom of reservoir. Dispenses measured amount of soap with each stroke. Sight gauge indicates refill time. Hinged shelf secured by concealed friction latch and 2 locking bars. Requires less than 5 lbs. of force to dispense soap.

- Bradley liquid soap valves operate best with any vegetable oil or coconut oil hand soap having a 10–15% soap concentration.

Installation

Verify all rough-in dimensions prior to installation. Secure dispenser with mounting screws (included). If mounted under a horizontal projection, allow 5" clearance for filling.

Guide Specification

Shelf-type soap dispenser shall be fabricated of 20 gauge stainless steel. Soap valve has chrome-plated brass housing with ABS plastic mechanism. Concealed friction latch for cover. Requires less than 5 lbs. of force to dispense soap. Capacity: 80-oz. liquid soap.

Overall dimensions: 17½"W x 3¼"H x 5¼"D.



MODEL 661



MODEL 662

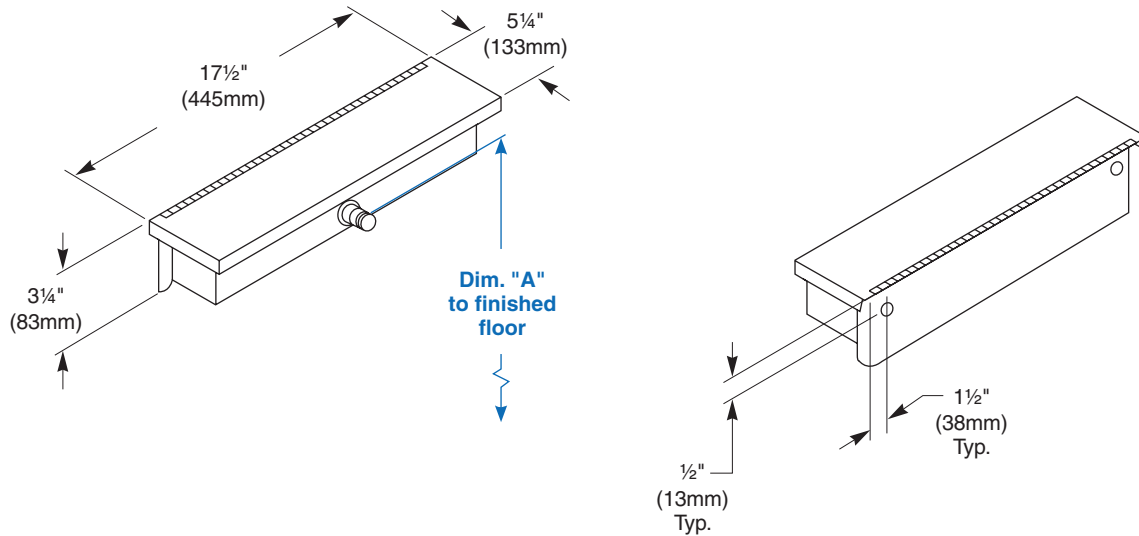
ADA Compliant

- Consult local and national accessibility codes for proper installation guidelines.
- Conformity and compliance to local and national codes is the responsibility of the installer.



Dimensions

(Model 661 shown)



Dim. "A" Key Surface:	For Dim. "A"	Top of Unit	Bottom of Unit
Push button top to finished floor	40" (1016mm)	42 1/4" (1073mm)	38 13/16" (986mm)
	38" (965mm)	40 1/4" (1022mm)	36 13/16" (935mm)
	36" (914mm)	38 1/4" (972mm)	34 13/16" (884mm)
	34" (864mm)	36 1/4" (921mm)	32 13/16" (833mm)
Rough wall opening:			
Surface Mount:	No rough wall opening, see overall dimensions		