



- ☑ Surface-Mounted
- ☑ Two Fixed Shelves
- ☑ Reversible
- ☑ **Bradex®**

Product Materials

CABINET: heavy-duty steel construction, finished with rust-resistant, baked-on enamel after welding. Fixed shelf supports.

DOOR: heavy-duty steel, finished with rust-resistant, baked-on enamel to match cabinet, equipped with full-length piano hinge with built-in door stop, protective door bumpers, and a magnetic catch.

MIRROR: 2mm thick float glass, electrolytically copper-backed, with full surround stainless steel frame with positive screw closure. One-year warranty.

SHELVES: (2) pre-painted metal.

Operation

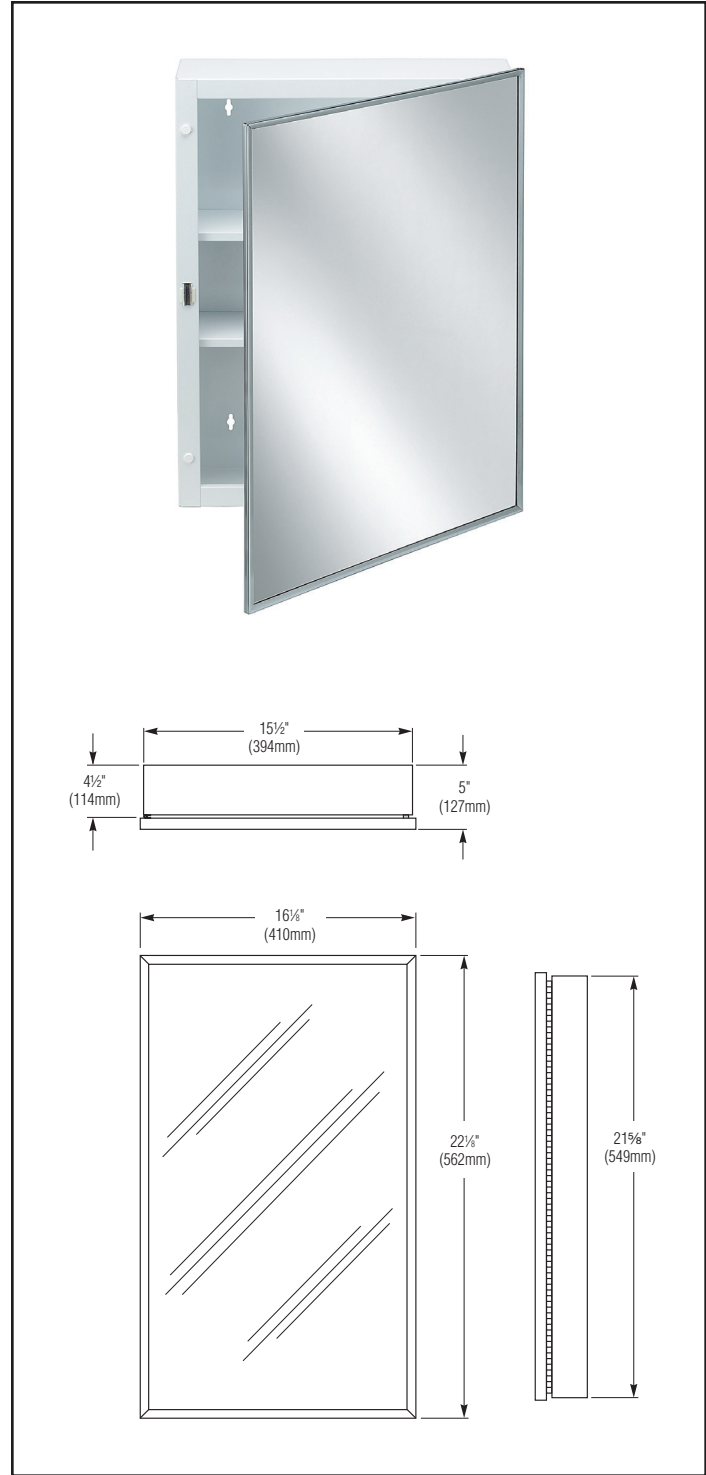
Cabinet is reversible for left or right hand door swing.

Installation

Verify all rough-in dimensions prior to installation. Cabinet to be secured to wall with mounting screws (included) through holes provided.

Guide Specification

Surface-mounted medicine cabinet shall be fabricated of heavy-duty steel construction finished with baked-on enamel. Swing door shall have mirror with full surround stainless steel channel frame with screw enclosure. Cabinet shall be equipped with two fixed shelves, full-length piano hinge, and magnetic catch. Cabinet shall be reversible for left or right hand door swing.



Orders composed of products indicated as **Bradex®** will be available to ship in three days after receipt of order at the factory. There is no pricing penalty for this service from Bradley.