



S93-572 / S93-573 / S93-574 BradMate™ Washfountains

- Serves One to Two Users at a Time
- Air Valve Metering Control, TouchTime® or Infrared Control
- Preassembled for Fast and Easy Installation
- Saves Water, Energy and Space
- Highly Vandal Resistant
- ADA Compliant

Specifications

Size and Capacity

Accommodates 1-2 users at a time, using less water, energy and space than two lavs equipped with conventional faucets. The stainless steel sprayhead is actuated by one of two push buttons (Model S93-572 and Model S93-573) or by one of two infrared sensors (Model S93-574).

Flow Control/Rate

Operating water pressure range is 20–80 psi. Flow regulators keep flow rate constant at all pressures. A flow restrictor keeps the flow rate at constant a .5 GPM under any pressure.

Construction

Bowl Assembly

Bowl, backsplash, sprayhead and trap cover constructed of heavy gauge type 304 stainless steel. All exposed stainless steel surfaces are polished to a #4 satin finish. BradMate™ washfountains are shipped preassembled. Trap, enclosure and flexible supply hoses are included with BradMates for connection during installation.

Vandal Resistance

The stainless steel sprayhead and push buttons are secured to the bowl from inside the washfountain. All valves, sensors, supplies and waste connections are safely concealed inside the washfountain.

Standard Equipment

Valves and Fittings

In addition to the bowl assembly and trap enclosure, the following valves and fittings are standard: Navigator® thermostatic mixing valve, flexible stainless steel supply hoses and stops. Stop valves are 1/2" compression female.

Activation Controls

Air Valve Hand Control

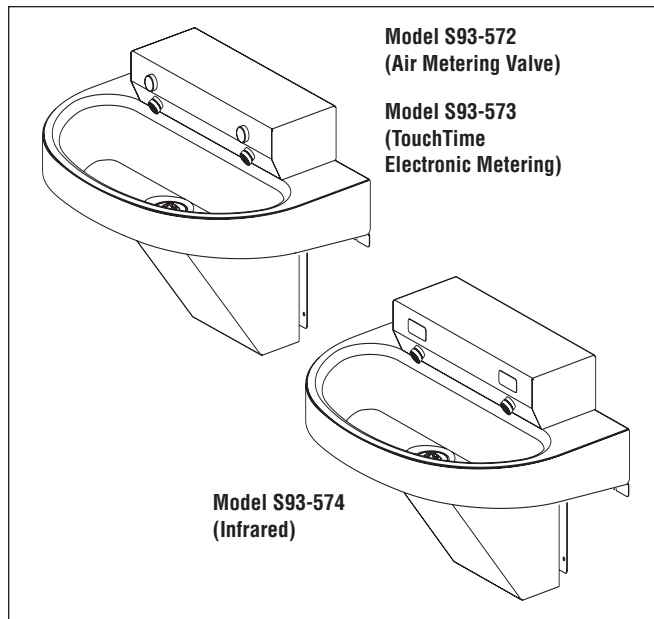
Each push button pneumatically actuates a non-hold-open, air metering, single-temperature valve with field adjustable timing from 0–45 seconds. Factory preset at 10 seconds. Each push button activates one valve which, in turn, activates one station. Push button requires less than five pounds of pressure.

TouchTime Hand Control §

Each low-voltage button actuates a non-hold-open, slow-closing anti-hammer solenoid valve that is timed from an electronic potted assembly. Each push button activates one valve which, in turn, activates one station. TouchTime controls water flow at each station through the use of solid state, digital circuitry. Timing is electronically controlled at 15 seconds. Push button requires less than five pounds of pressure.



§ Please visit www.bradleycorp.com/dc for important information regarding a regulatory requirement to convert Bradley's TT and IR activations from AC to DC starting in late 2016.



Infrared Sensor §

Each of the stream formers is controlled by a separate solenoid valve. Hands placed within the bowl are detected by an infrared sensor, which activates a flow of tempered water from one spray nozzle. Shut-off is automatic after hands are removed from the detection area. The infrared sensor module uses two zone-focused infrared transmitting beams, having a detection area adapted to, but not exceeding, the bowl perimeter. The detection range projects 6–9 inches forward at a 30° angle to each side and reaches 15° below horizontal. The infrared sensor is not affected by varying color tones or darkness. Direct sunlight or bright washroom lights will not activate the system. Infrared models also include solenoid valves and a low voltage transform as standard equipment:

- Solenoid – 24V, 50/60 Hz, 5/16" tube fitting. Few moving parts, and resistant to most chemicals, minerals, and impurities often present in municipal water supplies.
- Low-Voltage Transformer – Class II UL/CSA listed, 110/24 VAC plug-in transformer. Plugs into a standard GFCI protected electrical outlet. Location of transformer per local electrical code.

Code Compliance and Certifications

Barrier-Free (ADA Compliant)

BradMate washfountains are designed to comply with all ADA guidelines on reaches, clearances and operation when mounted at the proper height by the installer (see BradMate rough-in instructions for exact mounting and rough-in dimensions).

Models (Must Select One)	
Model Number	Description
<input type="checkbox"/> S93-572	Wall-Mounted BradMate with Air Valve Metering Control
<input type="checkbox"/> S93-573	Wall-Mounted BradMate with TouchTime Metering Control §
<input type="checkbox"/> S93-574	Wall-Mounted BradMate with Infrared Control §

Standard product selections contained within this document are third party **CERTIFIED** to NSF/ANSI 372 meeting the Lead-Free content requirement. Any product configured with custom options will be **COMPLIANT** with NSF/ANSI 372 meeting the Lead-Free content requirement.

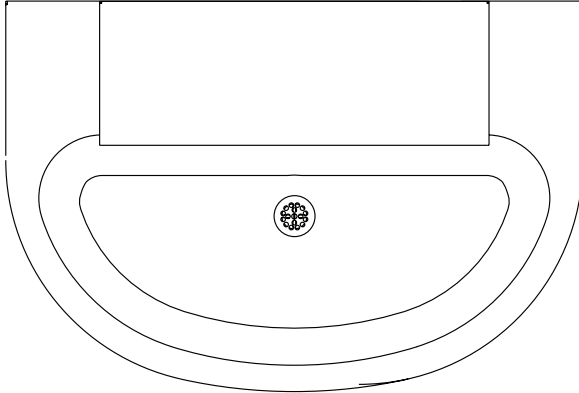


S93-572 / S93-573 / S93-574 BradMate™ Washfountains

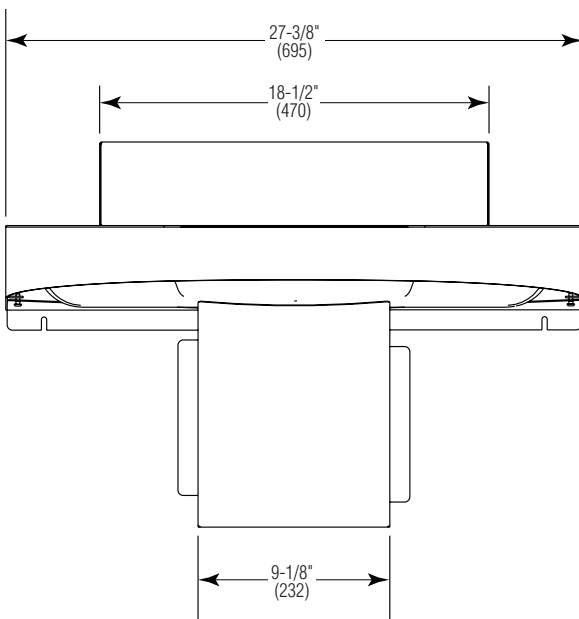
Dimensions – Standard and Juvenile Height

(mm)

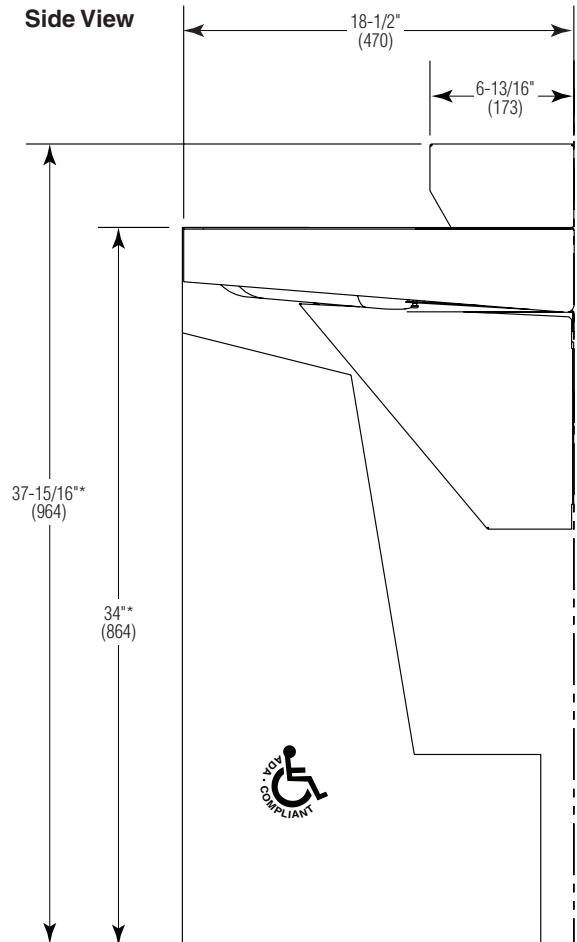
Top View



Front View



Side View



Models are ADA compliant when mounted at standard height dimensions.

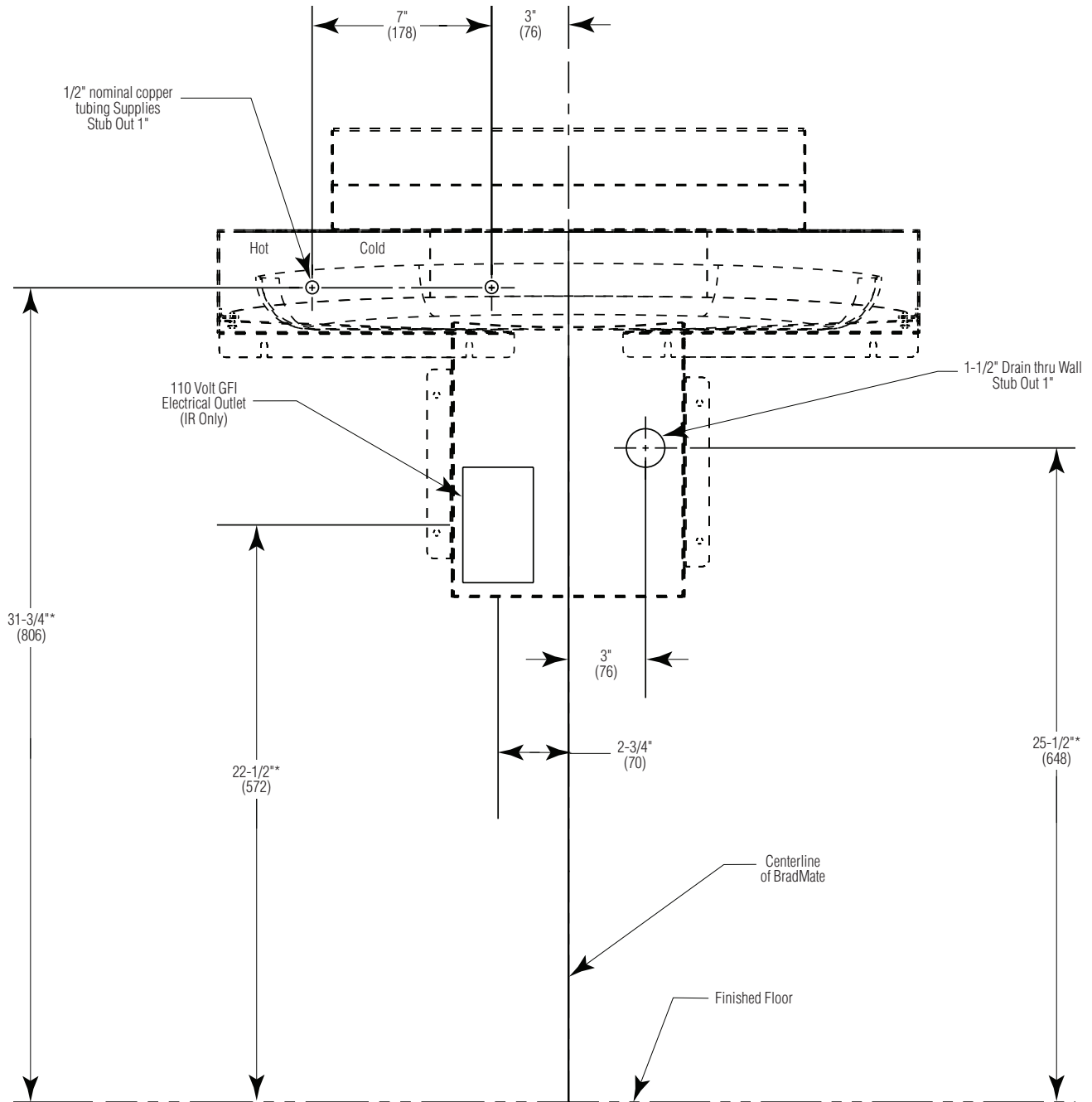
* Subtract 4" (102mm) from this dimension for juvenile height model.



S93-572 / S93-573 / S93-574 BradMate™ Washfountains

Rough-Ins

(mm)



*Subtract 4" (102) from this dimension for juvenile height model.