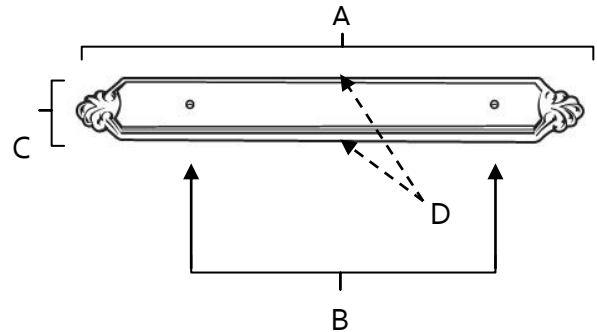


SPECIFICATIONS

BELLA
BACKPLATES FOR PULLS



FEATURES

- Traditional styling
- Multiple finishes
- Concealed installation

WARRANTY

Limited lifetime

FINISHES

- Antique English (AE)
- Antique English Matte (AEM)
- Polished Antique (PA)
- Polished Brass (PB)
- Satin Nickel (SN)

MATERIAL

Brass

Item#	A	B	C	D
A1457-3	7 1/4"	3"	1"	1/4"
• for A1455-3				
A1458-35	7 1/4"	3 1/2"	1"	1/4"
• for A1456-35				

KEY:

- A - Length
- B - Center to Center
- C - Width
- D - Projection

NOTE: Dimensions and specifications are subject to change without notice.